

SPLIT TYPE // 18SEER MINI SPLIT-SILENIGHT SERIES

**Model:
LBH09AS**

Specifications	Unit	Parameter
ODU Model	-	LBH09ASO
IDU Model	-	LBH09ASI
System Ratings		
Cooling Capacity	Btu/h	9,000
Heating Capacity (47°F)	Btu/h	9,500
Heating Capacity (17°F)	Btu/h	5,400
Cooling Capacity Range	Btu/h	2,763-9,724
Heating Capacity Range	Btu/h	2,081-12,283
Cooling Power Input (Max)	W	1,100
Heating Power Input (Max)	W	1,250
SEER	-	18
HSPF	-	9
EER	(Btu/h)/W	10
COP	W/W	3.2
Cooling Operation Range	°F (°C)	0~115.0(-18.0~46.0)
Heating Operation Range	°F (°C)	-4.0~75.0(-20.0~24.0)
Gas Pipe Size (OD)	Inch	3/8
Liquid Pipe Size (OD)	Inch	1/4
Connection Method	-	Flared
Factory Charge	oz	24.7
Additional Charge	oz/ft .	0.2
Pre-Charge Length	ft.	24.6
MAX Refrigerant Length	ft.	65.6
Min Refrigerant Pipe Length	ft.	10
MAX Refrigerant Pipe Elevation	ft.	32.8
Indoor Unit Data		
Fan Motor Power Output	W	20
Fan Motor RLA	A	0.24
Air Flow Volume	CFM	171-318
Sound Pressure Level	dB(A)	28-43
Dehumidication	pt / hr	1.69
Power Supply	-	115V / 1Ph / 60Hz
Min/Max Voltage	V	103-127
MCA	A	17
MOCP/Breaker Size	A	25
Outdoor Unit Data		
Compressor Type	-	DC Inverter Rotary
Compressor RLA	A	12.62
Refrigerant Type	-	R410A
Fan Motor Power Output	W	30
Fan Motor RLA	A	0.24
Sound Pressure Level	dB(A)	52
Power Supply	-	115V / 1Ph / 60Hz
Min/Max Voltage	V	103-127
Main Supply Wire Size	mm2	3.3mm ² (AWG12)
MCA	A	17
MOCP/Breaker Size	A	25

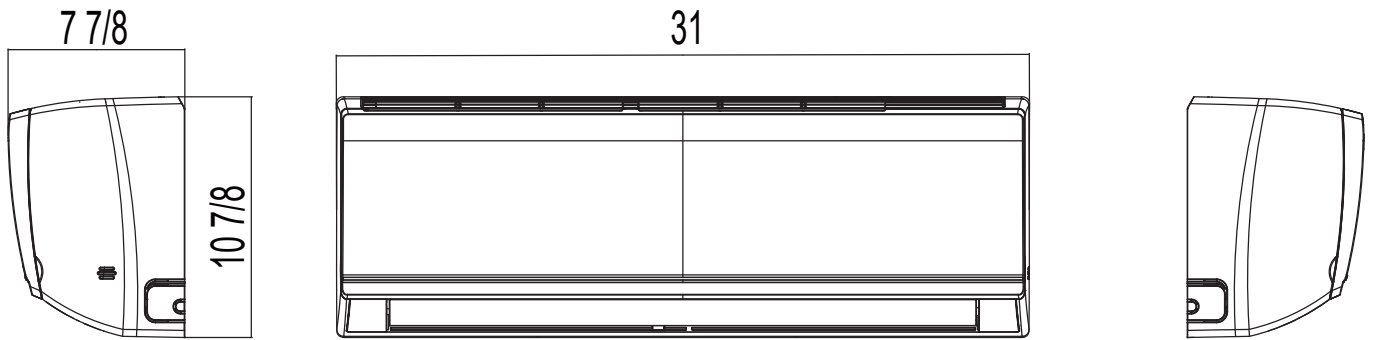


Job Name:

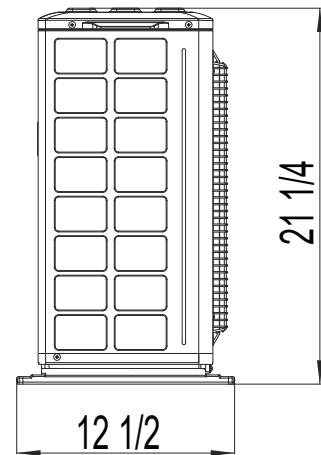
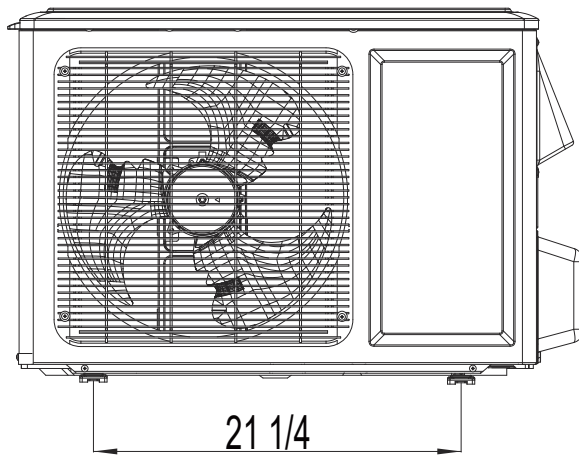
Schedule Reference:

Date:

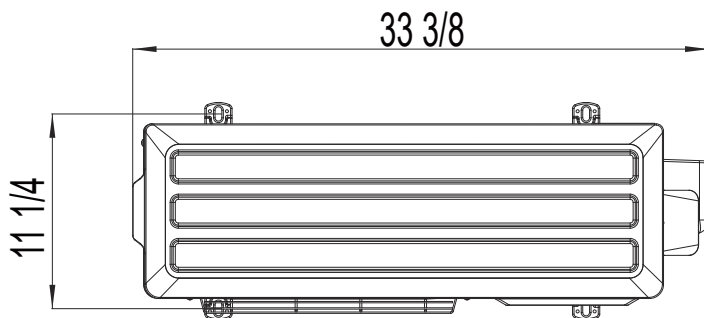
Outline and Physical Dimension of LBH09AS.



Units: inch



Units: inch



Net Weight IDU	lb	20.9
Gross Weight IDU	lb	25.4
Net Weight ODU	lb	62.8
Gross Weight ODU	lb	68.4



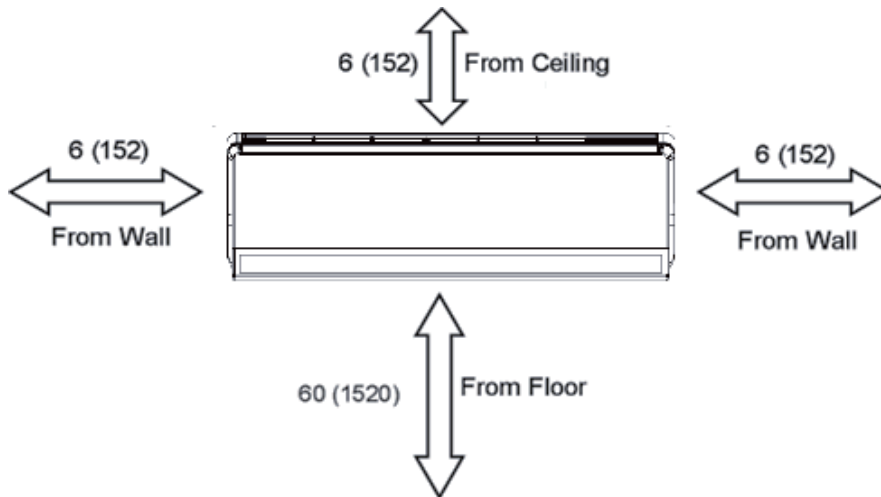
DIMENSIONAL SPECIFICATIONS

LBH09AS

MINIMUM SPACING REQUIREMENTS

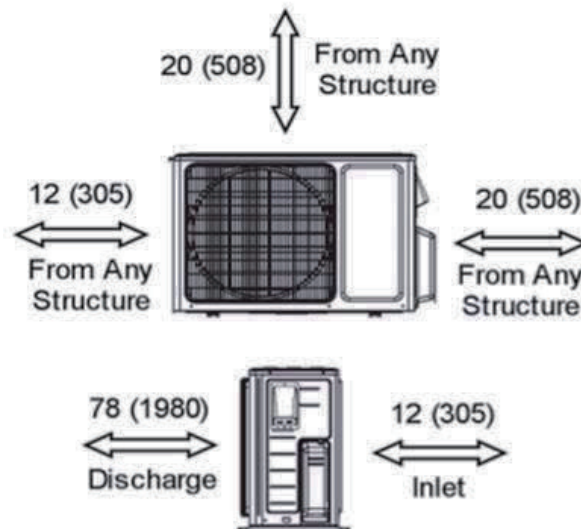
Units: inch (mm)

INDOOR



Units: inch (mm)

OUTDOOR



LBG Products®

HVAC expert, provide comfort life at home

COOLING PERFORMANCE (BtuH)*

Outdoor Ambient Temperature	Indoor Entering Air Temperatures												
	68°F DB (20°C)				74°F DB (23.3°C)				80°F DB (26.7°C)				
	57°F WB (13.9°C)				61°F WB (16.1°C)				67°F WB (19.4°C)				
	°C	TC	SHC	INPUT	EER	TC	SHC	INPUT	EER	TC	SHC	INPUT	EER
0°F	-18.0	3690	2675	385	2.81	4140	3002	419	2.90	4500	3263	441	2.99
5°F	-15.0	3870	2825	393	2.88	4320	3154	428	2.96	4680	3416	450	3.05
17°F	-8.3	4140	3043	417	2.91	4590	3374	453	2.97	4950	3638	477	3.04
23°F	-5.0	4590	3397	448	3.00	5040	3730	487	3.03	5400	3996	513	3.09
32°F	0.0	4950	3688	472	3.07	5400	4023	513	3.09	5760	4291	540	3.13
41°F	5.0	5490	4118	511	3.15	5940	4455	556	3.13	6300	4725	585	3.16
50°F	10.0	6030	4553	598	2.96	6480	4892	650	2.92	6840	5164	684	2.93
57°F	13.9	6480	4925	629	3.02	6930	5267	684	2.97	7290	5540	720	2.97
67°F	19.4	7470	5715	708	3.09	7920	6059	770	3.02	8280	6334	810	3.00
75°F	23.9	8280	6376	747	3.25	8730	6722	812	3.15	9090	6999	855	3.12
86°F	30.0	9000	6975	771	3.42	9450	7324	838	3.31	9810	7603	882	3.26
95°F	35.0	8190	6388	787	3.05	8640	6739	855	2.96	9000	7020	900	2.93
104°F	40.0	7290	5723	850	2.52	7740	6076	923	2.46	8100	6359	972	2.44
113°F	45.0	6750	5333	905	2.19	7200	5688	983	2.15	7560	5972	1035	2.14
122°F	50.0	5850	4651	912	1.88	6300	5009	992	1.86	6660	5295	1044	1.87
129°F	53.9	4590	3672	920	1.46	5040	4032	1000	1.48	5400	4320	1053	1.50

HEATING PERFORMANCE (BtuH)*

Outdoor Ambient Temperature	Indoor Entering Air Temperatures												
	68°F DB (20°C)				70°F DB (21.1°C)				80°F DB (26.7°C)				
	57°F WB (13.9°C)				60°F WB (15.6°C)				67°F WB (19.4°C)				
	°C	TC	SHC	INPUT	COP	TC	SHC	INPUT	COP	TC	SHC	INPUT	COP
-31°F	-35.0	/			/								
-22°F	-30.0	3610		895	1.18	3800		914	1.22	4275		969	1.29
-13°F	-25.0	3895		921	1.24	4085		940	1.27	4560		997	1.34
-5°F	-20.6	4370		946	1.35	4560		966	1.38	5035		1025	1.44
0°F	-17.8	5985		963	1.82	6175		983	1.84	6650		1043	1.87
5°F	-15.0	6935		980	2.07	7125		1001	2.09	7600		1062	2.10
10°F	-12.2	7410		946	2.29	7600		966	2.31	8075		1025	2.31
17°F	-8.3	8265		938	2.58	8455		957	2.59	8930		1016	2.58
20°F	-6.7	8360		895	2.74	8550		914	2.74	9025		969	2.73
24°F	-4.4	8455		870	2.85	8645		887	2.86	9120		942	2.84
32°F	0.0	8645		861	2.94	8835		879	2.95	9310		932	2.93
41°F	5.0	8835		819	3.16	9025		835	3.17	9500		886	3.14
43°F	6.1	9120		836	3.20	9310		853	3.20	9785		905	3.17
47°F	8.3	9310		853	3.20	9500		870	3.20	9975		923	3.17
53°F	11.7	10070		878	3.36	10260		896	3.36	10735		951	3.31
59°F	15.0	10735		904	3.48	10925		922	3.47	11400		979	3.41
64°F	17.8	10260		929	3.24	10450		948	3.23	10925		1006	3.18
70°F	21.1	9880		938	3.09	10070		957	3.08	10545		1016	3.04
75°F	23.9	9215		946	2.85	9405		966	2.85	9880		1025	2.83
78°F	25.6	8645		921	2.75	8835		940	2.76	9310		997	2.74

* Maximum system capacity

TC- Total Capacity (BtuH)

SHC- Sensible Capacity (BtuH)