

LBG Products®

HVAC expert, provide comfort life at home

SPLIT TYPE // 23SEER MINI SPLIT-AIRBOX SERIES

**Model:
LBH09AW**



Specifications	Unit	Parameter
ODU Model	-	LBH09AWO
IDU Model	-	LBH09AWI
System Ratings		
Cooling Capacity	Btu/h	9,100
Heating Capacity (47°F)	Btu/h	10,000
Heating Capacity (17°F)	Btu/h	7,100
Cooling Capacity Range	Btu/h	1,700-13,000
Heating Capacity Range	Btu/h	2,900-14,600
Cooling Power Input (Max)	W	1,170
Heating Power Input (Max)	W	1,410
SEER	-	24
HSPF	-	10.8
EER	(Btu/h) /W	13.66
COP	W/W	4.1
Cooling Operation Range	°F (°C)	-13.0~122.0(-25.0~50.0)
Heating Operation Range	°F (°C)	-22.0~86.0(-30.0~30.0)
Gas Pipe Size (OD)	Inch	3/8
Liquid Pipe Size (OD)	Inch	1/4
Connection Method	-	Flared
Factory Charge	oz	35.3
Additional Charge	oz/ft.	0.2
Pre-Charge Length	ft.	24.6
MAX Refrigerant Length	ft.	49.2
Min Refrigerant Pipe Length	ft.	10
MAX Refrigerant Pipe Elevation	ft.	32.8
Indoor Unit Data		
Fan Motor Power Output	W	20
Fan Motor RLA	A	0.3
Air Flow Volume	CFM	194/353
Sound Pressure Level Cooling Mode (Heating Mode)	dB(A)	22/40 (25/41)
Dehumidification	pt/hr	1.69
Power Supply	-	115V / 1Ph / 60Hz
Min/Max Voltage	V	103 - 126
MCA	A	18
MOCP/Breaker Size	A	25
Outdoor Unit Data		
Compressor Type	-	DC Inverter Rotary
Compressor RLA	A	12.5
Refrigerant Type	-	R410A
Fan Motor Power Output	W	30
Fan Motor RLA	A	0.4
Sound Pressure Level	dB(A)	52
Power Supply	-	115V / 1Ph / 60Hz
Min/Max Voltage	V	103 - 126
Main Supply Wire Size	-	3.3mm ² (AWG12)
MCA	A	18
MOCP/Breaker Size	A	25

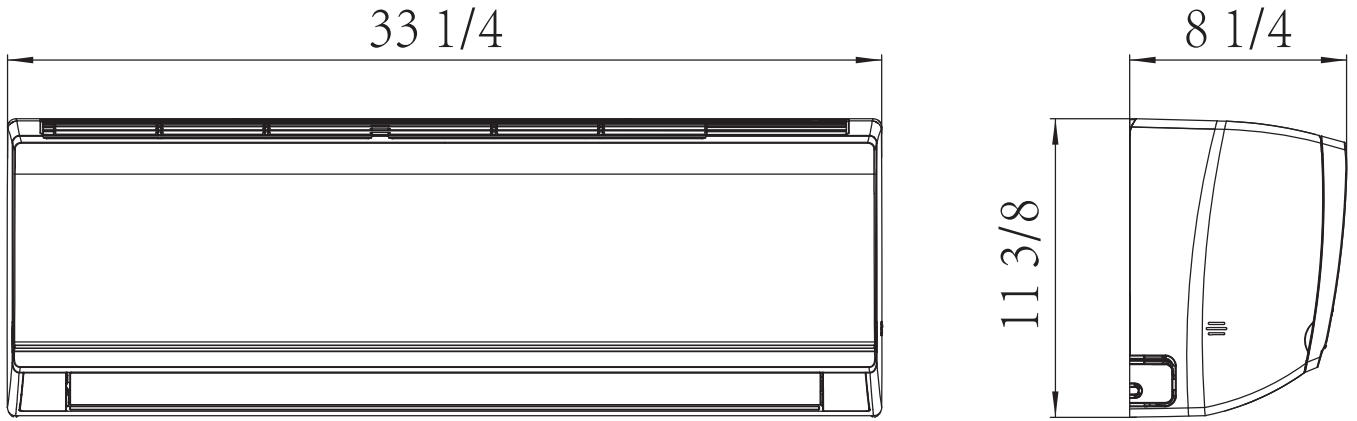
Job Name:

Schedule Reference:

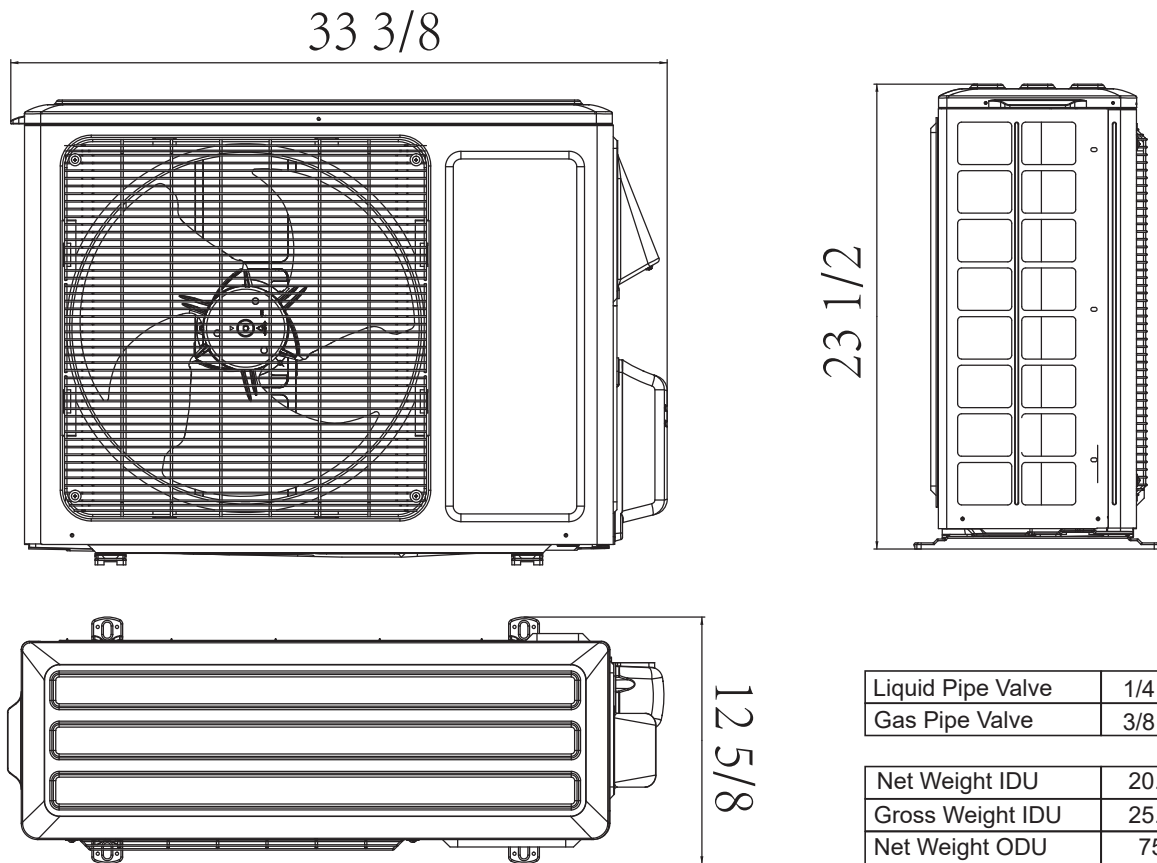
Date:

Specification are subject to change without notice.

Outline and Physical Dimension of LBH09AW.



Units: inch



Liquid Pipe Valve	1/4 inch
Gas Pipe Valve	3/8 inch

Net Weight IDU	20.9 lb
Gross Weight IDU	25.4 lb
Net Weight ODU	75 lb
Gross Weight ODU	81.6 lb

Units: inch



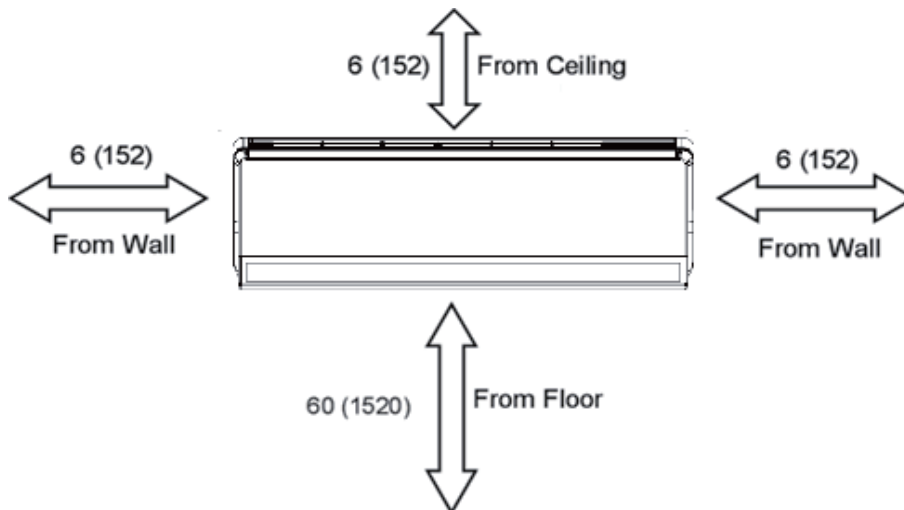
DIMENSIONAL SPECIFICATIONS

LBH09AW

MINIMUM SPACING REQUIREMENTS

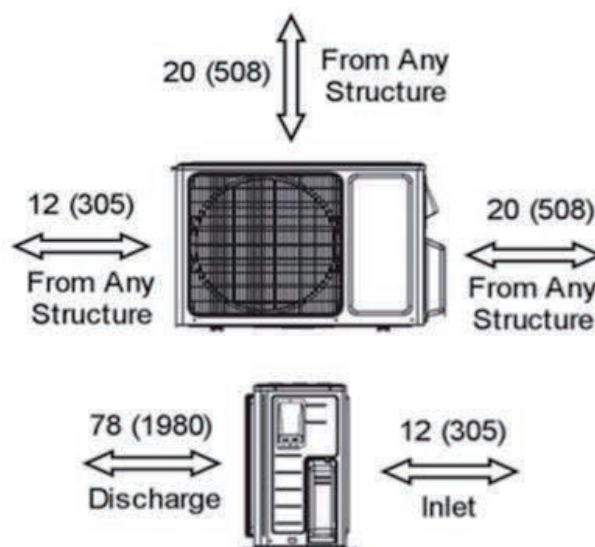
Units: inch (mm)

INDOOR



Units: inch (mm)

OUTDOOR



LBG Products®

HVAC expert, provide comfort life at home

COOLING PERFORMANCE (BtuH)*													
Outdoor Ambient Temperature	Indoor Entering Air Temperatures												
	68°F DB (20°C)				74°F DB (23.3°C)				80°F DB (26.7°C)				
	57°F WB (13.9°C)				61°F WB (16.1°C)				67°F WB (19.4°C)				
	°C	TC	SHC	INPUT	EER	TC	SHC	INPUT	EER	TC	SHC	INPUT	EER
0°F	-18.0	3731	2705	268	4.08	4186	3035	291	4.21	4550	3299	307	4.35
5°F	-15.0	3913	2856	274	4.19	4368	3189	297	4.31	4732	3454	313	4.43
17°F	-8.3	4186	3077	290	4.23	4641	3411	315	4.32	5005	3679	332	4.42
23°F	-5.0	4641	3434	312	4.36	5096	3771	339	4.41	5460	4040	357	4.48
32°F	0.0	5005	3729	328	4.47	5460	4068	357	4.48	5824	4339	376	4.54
41°F	5.0	5551	4163	356	4.57	6006	4505	387	4.55	6370	4778	407	4.59
50°F	10.0	6097	4603	416	4.30	6552	4947	452	4.25	6916	5222	476	4.26
57°F	13.9	6552	4980	438	4.39	7007	5325	476	4.32	7371	5602	501	4.31
67°F	19.4	7553	5778	492	4.50	8008	6126	535	4.39	8372	6405	563	4.36
75°F	23.9	8372	6446	520	4.72	8827	6797	565	4.58	9191	7077	595	4.53
86°F	30.0	9100	7053	536	4.97	9555	7405	583	4.81	9919	7687	613	4.74
95°F	35.0	8281	6459	547	4.44	8736	6814	595	4.31	9100	7098	626	4.26
104°F	40.0	7371	5786	591	3.66	7826	6143	642	3.57	8190	6429	676	3.55
113°F	45.0	6825	5392	629	3.18	7280	5751	684	3.12	7644	6039	720	3.11
122°F	50.0	5915	4702	635	2.73	6370	5064	690	2.71	6734	5354	726	2.72
129°F	53.9	4641	3713	640	2.12	5096	4077	696	2.15	5460	4368	732	2.18
HEATING PERFORMANCE (BtuH)*													
Outdoor Ambient Temperature	Indoor Entering Air Temperatures												
	68°F DB (20°C)				70°F DB (21.1°C)				80°F DB (26.7°C)				
	57°F WB (13.9°C)				60°F WB (15.6°C)				67°F WB (19.4°C)				
	°C	TC	SHC	INPUT	COP	TC	SHC	INPUT	COP	TC	SHC	INPUT	COP
-31°F	-35.0	/			/				/				
-22°F	-30.0	3800		736	1.51	4000		751	1.56	4200		766	1.61
-13°F	-25.0	4100		757	1.59	4300		772	1.63	4500		788	1.67
-5°F	-20.6	4600		778	1.73	4800		794	1.77	5000		810	1.81
0°F	-17.8	6300		792	2.33	6500		808	2.36	6700		824	2.38
5°F	-15.0	7300		806	2.66	7500		822	2.67	7700		839	2.69
10°F	-12.2	7800		778	2.94	8000		794	2.95	8200		810	2.97
17°F	-8.3	8700		771	3.31	8900		787	3.32	9100		802	3.32
20°F	-6.7	8800		736	3.51	9000		751	3.51	9200		766	3.52
24°F	-4.4	8900		715	3.65	9100		729	3.66	9300		744	3.66
32°F	0.0	9100		708	3.77	9300		722	3.77	9500		737	3.78
41°F	5.0	9300		673	4.05	9500		686	4.06	9700		700	4.06
43°F	6.1	9600		687	4.10	9800		701	4.10	10000		715	4.10
47°F	8.3	9800		701	4.10	10000		715	4.10	10200		729	4.10
53°F	11.7	10600		722	4.30	10800		736	4.30	11000		751	4.29
59°F	15.0	11300		743	4.46	11500		758	4.45	11700		773	4.44
64°F	17.8	10800		764	4.14	11000		779	4.14	11200		795	4.13
70°F	21.1	10400		771	3.95	10600		787	3.95	10800		802	3.95
75°F	23.9	9700		778	3.66	9900		794	3.66	10100		810	3.66
78°F	25.6	9100		757	3.52	9300		772	3.53	9500		788	3.53

* Maximum system capacity

TC- Total Capacity (BtuH)

SHC- Sensible Capacity (BtuH)