

SPLIT TYPE // 18SEER MINI SPLIT-SILENIGHT SERIES

**Model:
LBH09DS**

Item	Unit	Specification
ODU Model	—	LBH09DSO
IDU Model	—	LBH09DSI
System Ratings		
Cooling Capacity	Btu/h	9,000
Heating Capacity (47°F)	Btu/h	9,500
Heating Capacity (17°F)	Btu/h	5,800
Cooling Capacity Range	Btu/h	3,100-9,600
Heating Capacity Range	Btu/h	3,100-12,000
Cooling Power Input (Max)	W	1,300
Heating Power Input (Max)	W	1,350
SEER	—	18.0
HSPF	—	9.0
EER	(Btu/h)/W	10.6
COP	W/W	3.28
Cooling Operation Range	°F (°C)	0~115.0 (-18.0~46.0)
Heating Operation Range	°F (°C)	-13.0~75.0 (-25.0~24.0)
Gas Pipe Size (OD)	Inch	3/8
Liquid Pipe Size (OD)	Inch	1/4
Connection Method	—	Flared
Factory Charge	oz	24.7
Additional Charge	oz/ft	0.2
Pre-Charge Length	ft.	25
MAX Refrigerant Length	ft.	100
Min Refrigerant Pipe Length	ft.	10
MAX Refrigerant Pipe Elevation	ft.	65
Indoor Unit Data		
Fan Motor Power Output	W	20
Fan Motor FLA	A	0.22
Air Flow Volume	CFM	171/318
Sound Pressure Level	dB(A)	28/43
Dehumidification	pt/hr	1.69
Power Supply	—	208/230V / 1Ph / 60Hz
Min/Max Voltage	V	187-253
MCA	A	9.0
MOCP/Breaker Size	A	15.0
Outdoor Unit Data		
Compressor Type	—	DC Inverter Rotary
Compressor RLA	A	6.60
Refrigerant Type	—	R410A
Fan Motor Power Output	W	30
Fan Motor FLA	A	0.36
Sound Pressure Level	dB(A)	52
Power Supply	—	208/230V / 1Ph / 60Hz
Min/Max Voltage	V	187-253
Main Supply Wire Size	—	1.3 (AWG16)
MCA	A	9.0
MOCP/Breaker Size	A	15.0

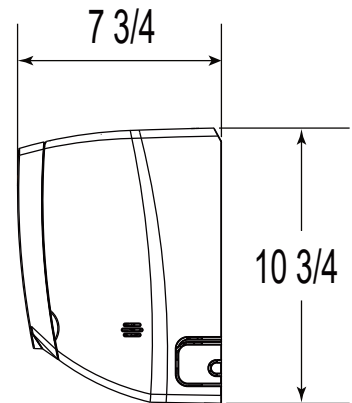
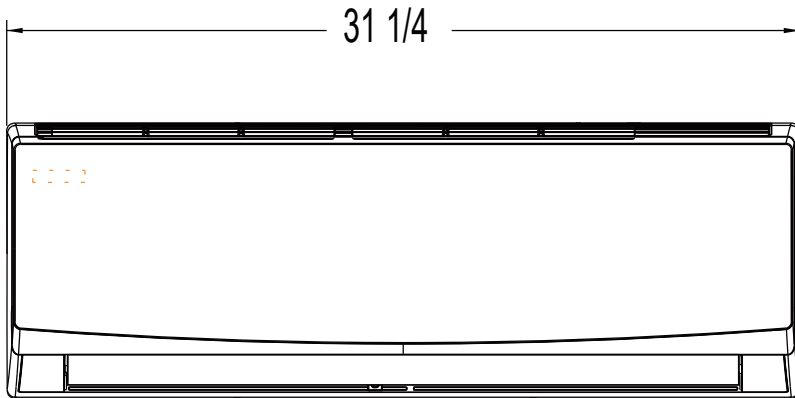


Job Name:

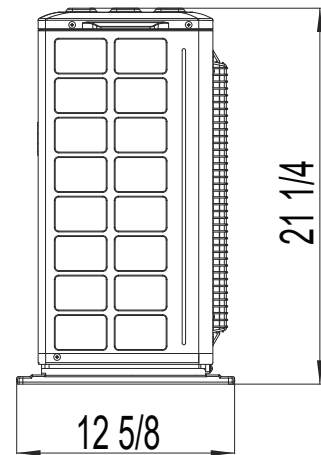
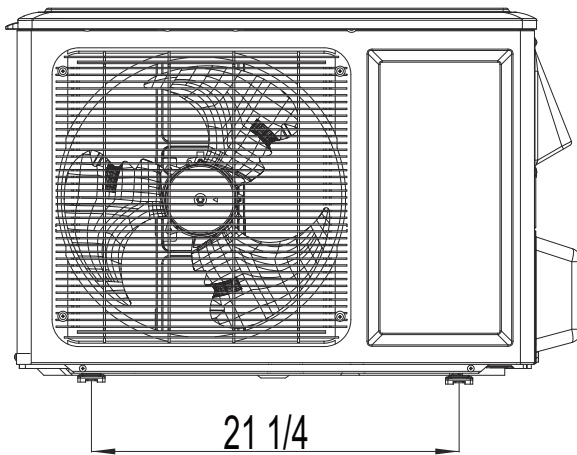
Schedule Reference:

Date:

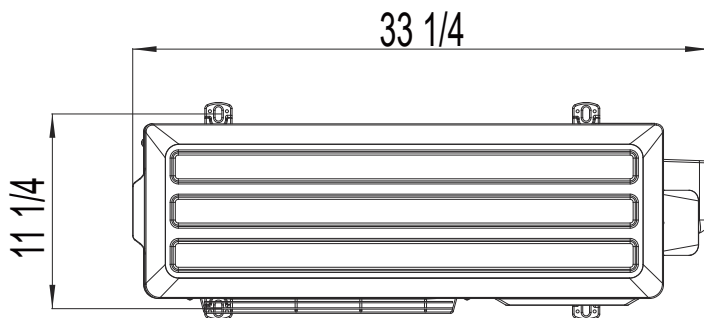
Outline and Physical Dimension of LBH09DS.



Units: inch



Units: inch



Net Weight IDU	lb	20.9
Gross Weight IDU	lb	25.4
Net Weight ODU	lb	63.9
Gross Weight ODU	lb	69.5



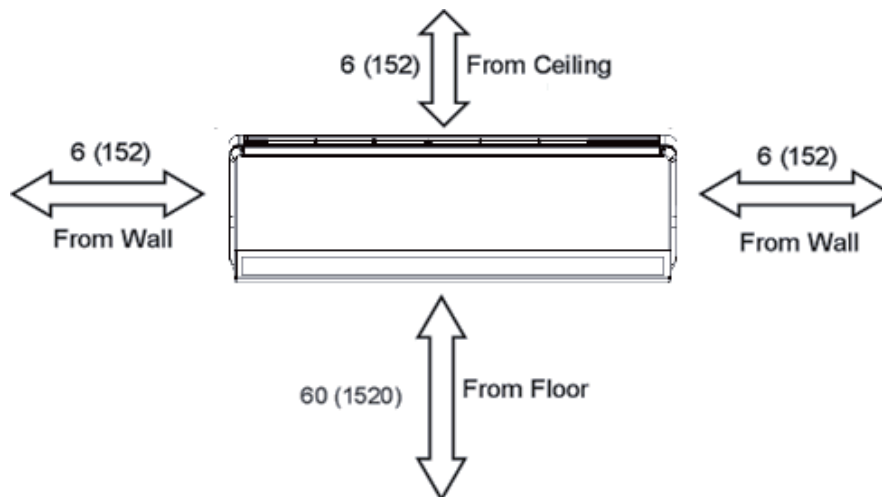
DIMENSIONAL SPECIFICATIONS

LBH09DS

MINIMUM SPACING REQUIREMENTS

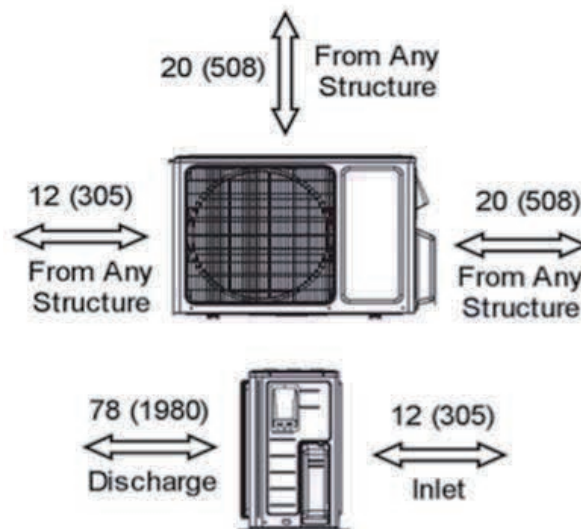
Units: inch (mm)

INDOOR



Units: inch (mm)

OUTDOOR



LBG Products®

HVAC expert, provide comfort life at home

COOLING PERFORMANCE (BtuH)*

Outdoor Ambient Temperature (DB) °F	Indoor Entering Air Temperatures					
	68°F DB		74°F DB		80°F DB	
	57°F WB		61°F WB		67°F WB	
	TC	SHC	TC	SHC	TC	SHC
0°F	5617	4072	5913	4287	6224	4512
5°F	6302	4601	6634	4843	6983	5098
17°F	6497	4775	6839	5027	7199	5291
23°F	6698	4957	7051	5218	7422	5492
32°F	6905	5144	7269	5415	7651	5700
41°F	7119	5339	7494	5620	7888	5916
50°F	7339	5541	7725	5833	8132	6140
57°F	7566	5750	7964	6053	8383	6371
67°F	7800	5967	8211	6281	8643	6612
75°F	8041	6192	8465	6518	8910	6861
86°F	8366	6484	8807	6825	9270	7184
95°F	8123	6336	8550	6669	9000	7020
104°F	7879	6185	8294	6510	8730	6853
113°F	7642	6038	8045	6355	8468	6690
122°F	/	/	/	/	/	/
129°F	/	/	/	/	/	/

HEATING PERFORMANCE (BtuH)*

Outdoor Ambient Temperature (DB)	Indoor Entering Air Temperatures					
	68°F DB		70°F DB		80°F DB	
	57°F WB		60°F WB		67°F WB	
	TC	SHC	TC	SHC	TC	SHC
-31°F	/		/		/	
-22°F	4694		4590		4347	
-13°F	4794		4694		4461	
-5°F	4840		4794		4567	
0°F	5245		5196		4945	
5°F	5533		5300		5216	
10°F	5763		5708		5434	
17°F	5938		5800		5597	
20°F	6171		6563		5818	
24°F	6866		7212		6935	
32°F	8413		8497		7637	
41°F	9547		9658		9088	
43°F	9657		9716		9335	
47°F	9595		9500		9019	
53°F	9336		9447		8877	
59°F	9124		9236		8666	
64°F	8702		8813		8243	
70°F	8385		8496		7926	
75°F	7962		8073		7503	
78°F	7750		7862		7292	

* Maximum system capacity

TC- Total Capacity (BtuH)

SHC- Sensible Capacity (BtuH)