

LBG Products®

HVAC expert, provide comfort life at home

SPLIT TYPE 23SEER MINI SPLIT-AIRBOX SERIES

Specifications	Unit	Parameter
ODU Model	-	LBH09DWO
IDU Model	-	LBH09DWI
System Ratings		
Cooling Capacity	Btu/h	9,100
Heating Capacity (47°F)	Btu/h	11,000
Heating Capacity (17°F)	Btu/h	7,300
Cooling Capacity Range	Btu/h	2,457-10,748
Heating Capacity Range	Btu/h	2,593-13,307
Cooling Power Input (Max)	W	1,030
Heating Power Input (Max)	W	1,650
SEER	-	23
HSPF	-	11
EER	(Btu/h) /W	14.3
COP	W/W	3.75
Cooling Operation Range	°F (°C)	-20.0~122.0(-29.0~50.0)
Heating Operation Range	°F (°C)	-22.0~86.0(-30.0~30.0)
Gas Pipe Size (OD)	Inch	3/8
Liquid Pipe Size (OD)	Inch	1/4
Connection Method	-	Flared
Factory Charge	oz	36.3
Additional Charge	oz/ft.	0.2
Pre-Charge Length	ft.	24.6
MAX Refrigerant Length	ft.	49.2
Min Refrigerant Pipe Length	ft.	10
MAX Refrigerant Pipe Elevation	ft.	32.8
Indoor Unit Data		
Fan Motor Power Output	W	20
Fan Motor RLA	A	0.22
Air Flow Volume	CFM	194/353
Sound Pressure Level		
Cooling Mode (Heating Mode)	dB(A)	22/40 (29/41)
Dehumidication	pt/hr	1.69
Power Supply	-	208/230V / 1Ph / 60Hz
Min/Max Voltage	V	187 - 253
MCA	A	9
MOCP/Breaker Size	A	15
Outdoor Unit Data		
Compressor Type	-	DC Inverter Rotary
Compressor RLA	A	4.7
Refrigerant Type	-	R410A
Fan Motor Power Output	W	30
Fan Motor RLA	A	0.4
Sound Pressure Level	dB(A)	52
Power Supply	-	208/230V / 1Ph / 60Hz
Min/Max Voltage	V	187 - 253
Main Supply Wire Size	-	1.3mm ² (AWG16)
MCA	A	9
MOCP/Breaker Size	A	15

**Model:
LBH09DW**



Job Name:

Schedule Reference:

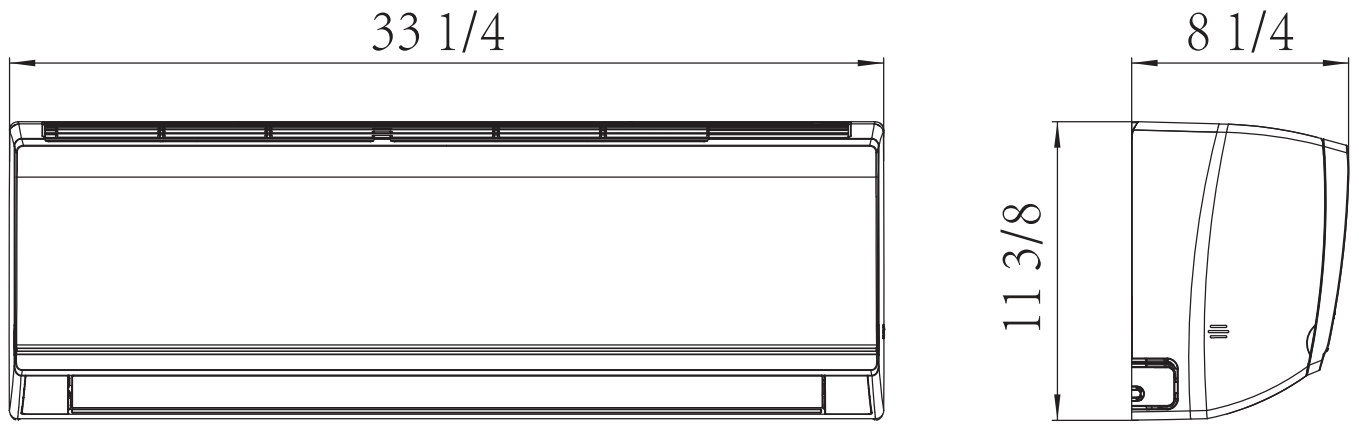
Date:

Specification are subject to change without notice.

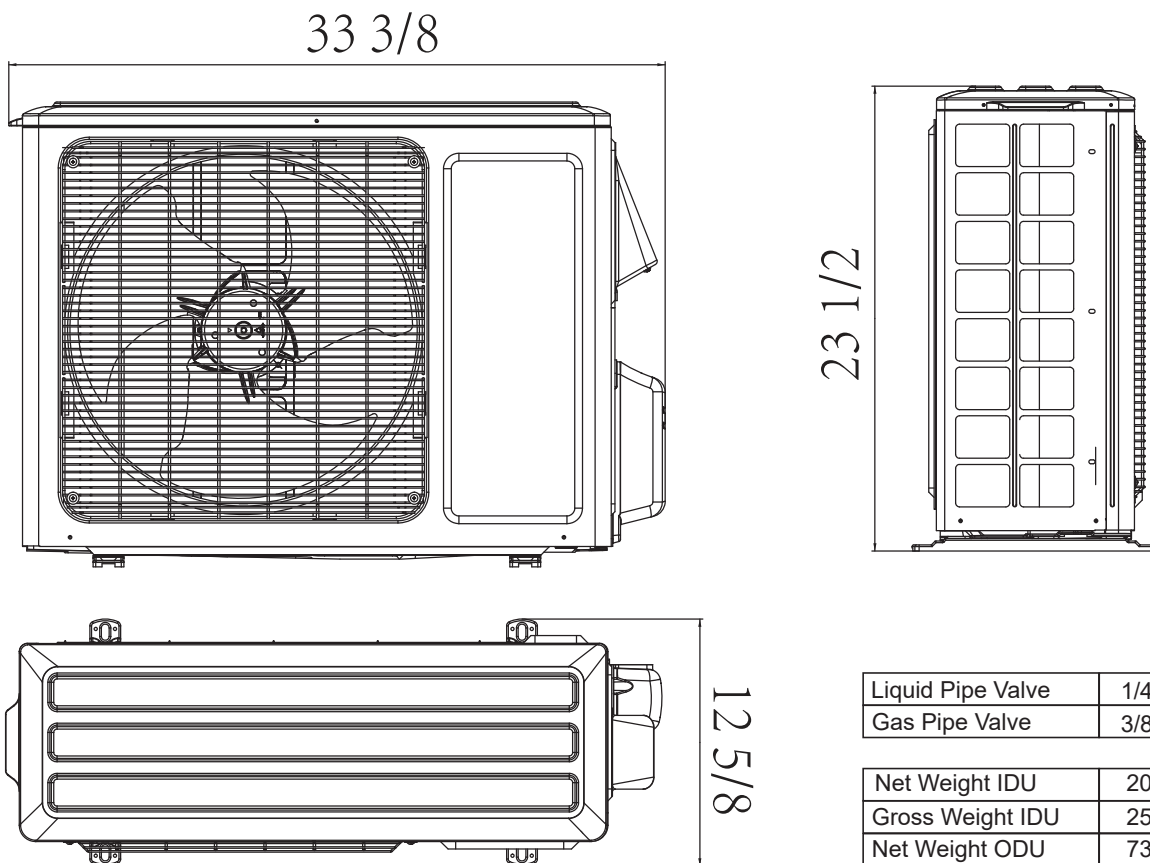
LBG Products®

HVAC expert, provide comfort life at home

Outline and Physical Dimension of LBH09DW.



Units: inch



Liquid Pipe Valve	1/4 inch
Gas Pipe Valve	3/8 inch

Net Weight IDU	20.9 lb
Gross Weight IDU	25.4 lb
Net Weight ODU	73.9 lb
Gross Weight ODU	80.5 lb

Units: inch



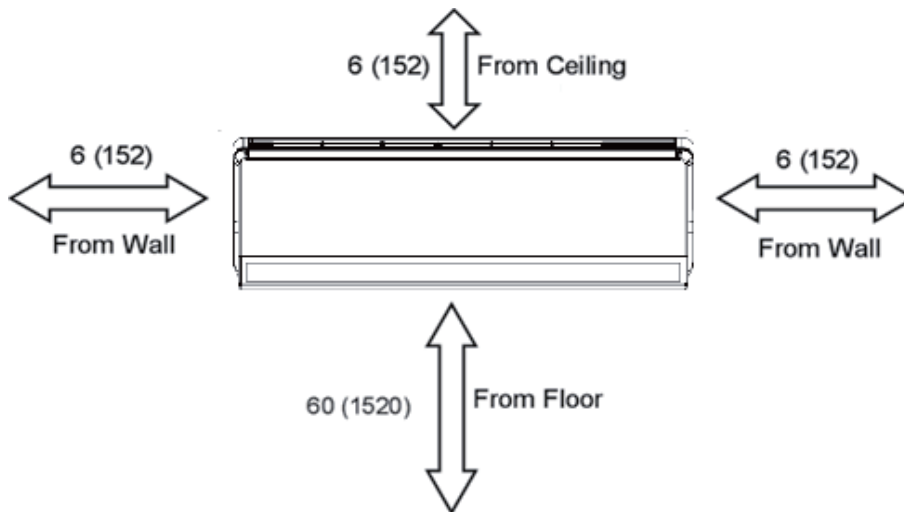
DIMENSIONAL SPECIFICATIONS

LBH09DW

MINIMUM SPACING REQUIREMENTS

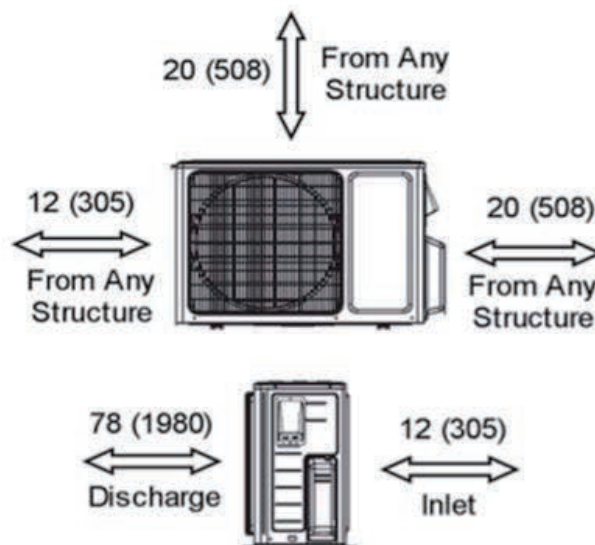
Units: inch (mm)

INDOOR



Units: inch (mm)

OUTDOOR



COOLING PERFORMANCE (BtuH)*													
Outdoor Ambient Temperature	Indoor Entering Air Temperatures												
	68°F DB (20°C)				74°F DB (23.3°C)				80°F DB (26.7°C)				
	57°F WB (13.9°C)				61°F WB (16.1°C)				67°F WB (19.4°C)				
	°C	TC	SHC	INPUT	EER	TC	SHC	INPUT	EER	TC	SHC	INPUT	EER
0°F	-18.0	3731	2705	272	4.01	4186	3035	296	4.14	4550	3299	312	4.28
5°F	-15.0	3913	2856	278	4.13	4368	3189	302	4.24	4732	3454	318	4.36
17°F	-8.3	4186	3077	295	4.16	4641	3411	320	4.25	5005	3679	337	4.35
23°F	-5.0	4641	3434	317	4.29	5096	3771	344	4.34	5460	4040	363	4.41
32°F	0.0	5005	3729	334	4.40	5460	4068	363	4.41	5824	4339	382	4.47
41°F	5.0	5551	4163	361	4.50	6006	4505	393	4.48	6370	4778	413	4.52
50°F	10.0	6097	4603	422	4.23	6552	4947	459	4.18	6916	5222	483	4.19
57°F	13.9	6552	4980	445	4.32	7007	5325	483	4.25	7371	5602	509	4.25
67°F	19.4	7553	5778	500	4.42	8008	6126	544	4.32	8372	6405	572	4.29
75°F	23.9	8372	6446	528	4.65	8827	6797	574	4.51	9191	7077	604	4.46
86°F	30.0	9100	7053	545	4.90	9555	7405	592	4.73	9919	7687	623	4.66
95°F	35.0	8281	6459	556	4.37	8736	6814	604	4.24	9100	7098	636	4.19
104°F	40.0	7371	5786	600	3.60	7826	6143	653	3.51	8190	6429	687	3.49
113°F	45.0	6825	5392	639	3.13	7280	5751	695	3.07	7644	6039	731	3.06
122°F	50.0	5915	4702	645	2.69	6370	5064	701	2.66	6734	5354	738	2.68
129°F	53.9	4641	3713	650	2.09	5096	4077	707	2.11	5460	4368	744	2.15

HEATING PERFORMANCE (BtuH)*													
Outdoor Ambient Temperature	Indoor Entering Air Temperatures												
	68°F DB (20°C)				70°F DB (21.1°C)				80°F DB (26.7°C)				
	57°F WB (13.9°C)				60°F WB (15.6°C)				67°F WB (19.4°C)				
	°C	TC	SHC	INPUT	COP	TC	SHC	INPUT	COP	TC	SHC	INPUT	COP
-31°F	-35.0	/			/				/				
-22°F	-30.0	4180		885	1.38	4400		903	1.43	4620		921	1.47
-13°F	-25.0	4510		910	1.45	4730		929	1.49	4950		947	1.53
-5°F	-20.6	5060		936	1.59	5280		955	1.62	5500		974	1.66
0°F	-17.8	6930		952	2.13	7150		972	2.16	7370		991	2.18
5°F	-15.0	8030		969	2.43	8250		989	2.44	8470		1009	2.46
10°F	-12.2	8580		936	2.69	8800		955	2.70	9020		974	2.72
17°F	-8.3	9570		927	3.03	9790		946	3.03	10010		965	3.04
20°F	-6.7	9680		885	3.21	9900		903	3.21	10120		921	3.22
24°F	-4.4	9790		860	3.34	10010		877	3.34	10230		895	3.35
32°F	0.0	10010		851	3.45	10230		869	3.45	10450		886	3.46
41°F	5.0	10230		809	3.71	10450		826	3.71	10670		842	3.71
43°F	6.1	10560		826	3.75	10780		843	3.75	11000		860	3.75
47°F	8.3	10780		843	3.75	11000		860	3.75	11220		877	3.75
53°F	11.7	11660		868	3.94	11880		886	3.93	12100		904	3.92
59°F	15.0	12430		893	4.08	12650		912	4.07	12870		930	4.06
64°F	17.8	11880		919	3.79	12100		937	3.78	12320		956	3.78
70°F	21.1	11440		927	3.62	11660		946	3.61	11880		965	3.61
75°F	23.9	10670		936	3.34	10890		955	3.34	11110		974	3.34
78°F	25.6	10010		910	3.22	10230		929	3.23	10450		947	3.23

* Maximum system capacity

TC- Total Capacity (BtuH)

SHC- Sensible Capacity (BtuH)