

# LBG Products®

HVAC expert, provide comfort life at home

## SPLIT TYPE // 23SEER MINI SPLIT-AIRBOX SERIES

Specifications	Unit	Parameter
ODU Model	-	LBH12AWO
IDU Model	-	LBH12AWI
<b>System Ratings</b>		
Cooling Capacity	Btu/h	12,100
Heating Capacity (47°F)	Btu/h	12,100
Heating Capacity (17°F)	Btu/h	7,700
Cooling Capacity Range	Btu/h	3,071-13,400
Heating Capacity Range	Btu/h	3,071-15,500
Cooling Power Input (Max)	W	1,400
Heating Power Input (Max)	W	1,500
SEER	-	25
HSPF	-	11.5
EER	(Btu/h) /W	13
COP	W/W	3.61
Cooling Operation Range	°F(°C)	-13.0~122.0(-25.0~50.0)
Heating Operation Range	°F(°C)	-22.0~86.0(-30.0~30.0)
Gas Pipe Size (OD)	Inch	1/2
Liquid Pipe Size (OD)	Inch	1/4
Connection Method	-	Flared
Factory Charge	oz	47.3
Additional Charge	oz/ft.	0.2
Pre-Charge Length	ft.	24.6
MAX Refrigerant Length	ft.	65.6
Min Refrigerant Pipe Length	ft.	10
MAX Refrigerant Pipe Elevation	ft.	32.8
<b>Indoor Unit Data</b>		
Fan Motor Power Output	W	20
Fan Motor RLA	A	0.3
Air Flow Volume	CFM	230/400
Sound Pressure Level Cooling Mode (Heating Mode)	dB(A)	20/43 (28/44)
Dehumidication	pt/hr	2.96
Power Supply	-	115V / 1Ph / 60Hz
Min/Max Voltage	V	103 - 126
MCA	A	21
MOCP/Breaker Size	A	30
<b>Outdoor Unit Data</b>		
Compressor Type	-	DC Inverter Rotary
Compressor RLA	A	15
Refrigerant Type	-	R410A
Fan Motor Power Output	W	30
Fan Motor RLA	A	0.5
Sound Pressure Level	dB(A)	54
Power Supply	-	115V / 1Ph / 60Hz
Min/Max Voltage	V	103 - 126
Main Supply Wire Size	-	3.3mm <sup>2</sup> (AWG12)
MCA	A	21
MOCP/Breaker Size	A	30

**Model:  
LBH12AW**



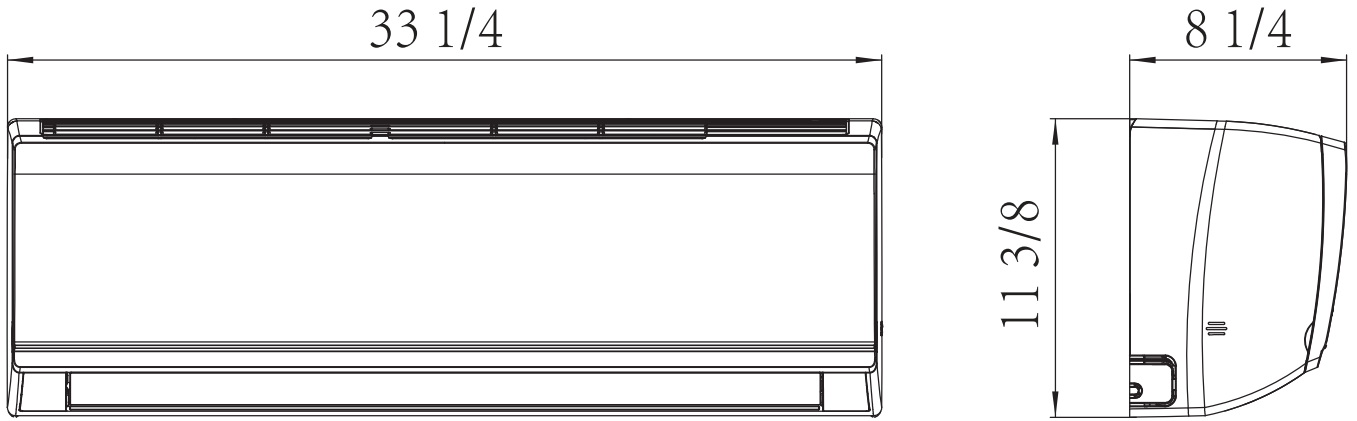
Job Name:

Schedule Reference:

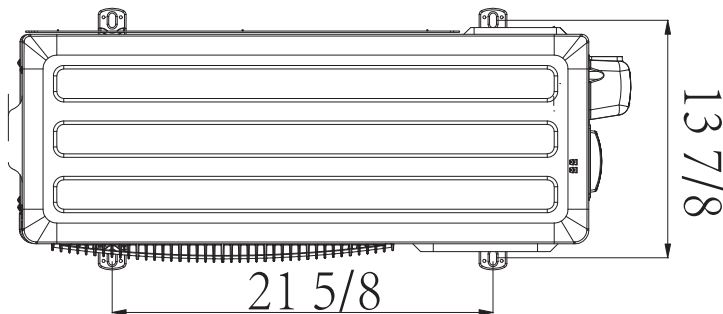
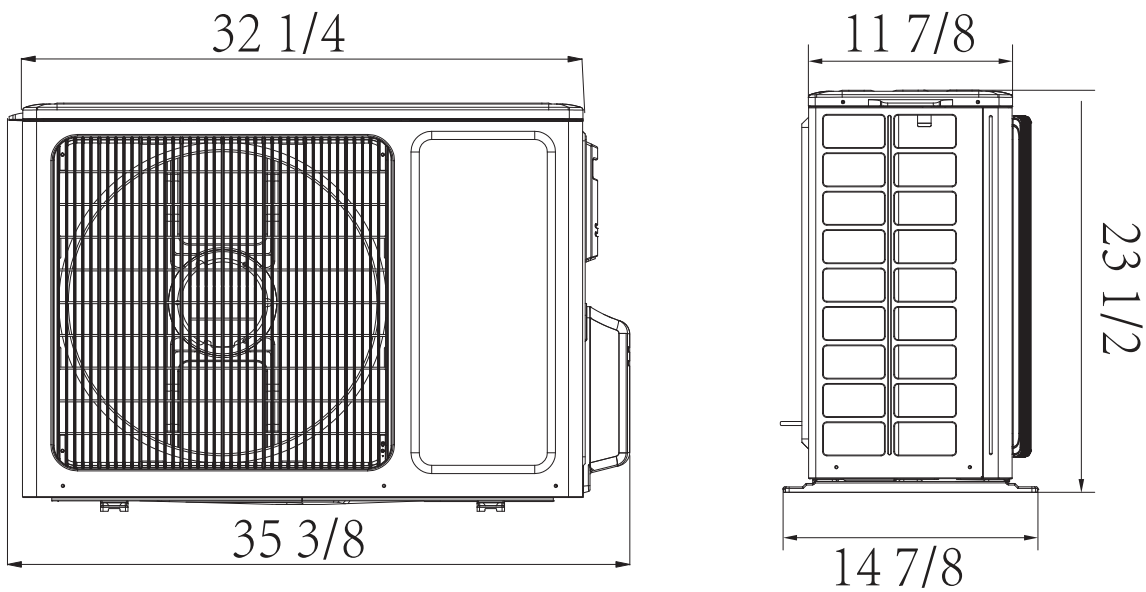
Date:

Specification are subject to change without notice.

## Outline and Physical Dimension of LBH12AW.



Units: inch



Liquid Pipe Valve	1/4 inch
Gas Pipe Valve	1/2 inch

Net Weight IDU	20.9 lb
Gross Weight IDU	25.4 lb
Net Weight ODU	87.1 lb
Gross Weight ODU	93.7 lb

Units: inch



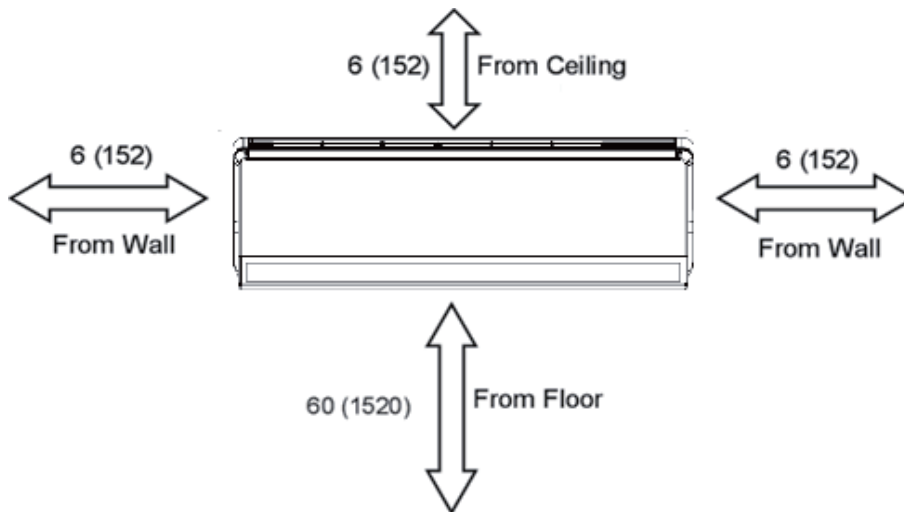
## DIMENSIONAL SPECIFICATIONS

LBH12AW

### MINIMUM SPACING REQUIREMENTS

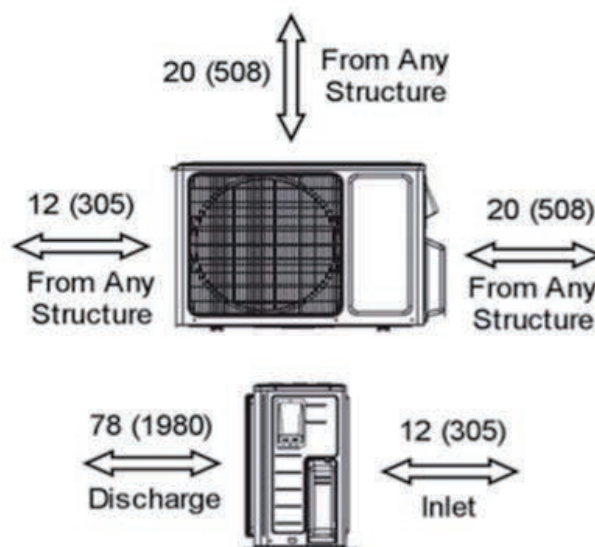
Units: inch (mm)

#### INDOOR



Units: inch (mm)

#### OUTDOOR



# LBG Products®

HVAC expert, provide comfort life at home

COOLING PERFORMANCE (BtuH)*													
Outdoor Ambient Temperature	Indoor Entering Air Temperatures												
	68°F DB (20°C)					74°F DB (23.3°C)				80°F DB (26.7°C)			
	57°F WB (13.9°C)					61°F WB (16.1°C)				67°F WB (19.4°C)			
	°C	TC	SHC	INPUT	EER	TC	SHC	INPUT	EER	TC	SHC	INPUT	EER
0°F	-18.0	4961	3597	399	3.64	5566	4035	434	3.76	6050	4386	457	3.88
5°F	-15.0	5203	3798	407	3.74	5808	4240	443	3.85	6292	4593	466	3.96
17°F	-8.3	5566	4091	432	3.78	6171	4536	469	3.85	6655	4891	494	3.95
23°F	-5.0	6171	4567	464	3.90	6776	5014	505	3.94	7260	5372	531	4.01
32°F	0.0	6655	4958	489	3.99	7260	5409	531	4.01	7744	5769	559	4.06
41°F	5.0	7381	5536	529	4.09	7986	5990	576	4.07	8470	6353	606	4.10
50°F	10.0	8107	6121	619	3.84	8712	6578	673	3.79	9196	6943	708	3.81
57°F	13.9	8712	6621	652	3.92	9317	7081	708	3.86	9801	7449	746	3.85
67°F	19.4	10043	7683	733	4.01	10648	8146	797	3.92	11132	8516	839	3.89
75°F	23.9	11132	8572	774	4.22	11737	9037	841	4.09	12221	9410	885	4.05
86°F	30.0	12100	9378	798	4.44	12705	9846	868	4.29	13189	10221	913	4.23
95°F	35.0	11011	8589	815	3.96	11616	9060	885	3.85	12100	9438	932	3.81
104°F	40.0	9801	7694	880	3.27	10406	8169	956	3.19	10890	8549	1007	3.17
113°F	45.0	9075	7169	937	2.84	9680	7647	1018	2.79	10164	8030	1072	2.78
122°F	50.0	7865	6253	945	2.44	8470	6734	1027	2.42	8954	7118	1081	2.43
129°F	53.9	6171	4937	953	1.90	6776	5421	1036	1.92	7260	5808	1090	1.95
HEATING PERFORMANCE (BtuH)*													
Outdoor Ambient Temperature	Indoor Entering Air Temperatures												
	68°F DB (20°C)					70°F DB (21.1°C)				80°F DB (26.7°C)			
	57°F WB (13.9°C)					60°F WB (15.6°C)				67°F WB (19.4°C)			
	°C	TC	SHC	INPUT	COP	TC	SHC	INPUT	COP	TC	SHC	INPUT	COP
-31°F	-35.0	/	/	/	/	/	/	/	/	/	/	/	/
-22°F	-30.0	4598		1012	1.33	4840		1032	1.37	5445		1095	1.46
-13°F	-25.0	4961		1040	1.40	5203		1062	1.44	5808		1127	1.51
-5°F	-20.6	5566		1069	1.53	5808		1091	1.56	6413		1158	1.62
0°F	-17.8	6171		1089	1.66	6413		1111	1.69	7018		1179	1.74
5°F	-15.0	6897		1108	1.82	7139		1130	1.85	7744		1200	1.89
10°F	-12.2	7260		1069	1.99	7502		1091	2.02	8107		1158	2.05
17°F	-8.3	7502		1060	2.07	7744		1081	2.10	8349		1147	2.13
20°F	-6.7	8833		1012	2.56	9075		1032	2.58	9680		1095	2.59
24°F	-4.4	9922		983	2.96	10164		1003	2.97	10769		1064	2.97
32°F	0.0	11011		973	3.32	11253		993	3.32	11858		1054	3.30
41°F	5.0	11253		925	3.57	11495		944	3.57	12100		1001	3.54
43°F	6.1	11616		944	3.61	11858		963	3.61	12463		1022	3.57
47°F	8.3	11858		963	3.61	12100		983	3.61	12705		1043	3.57
53°F	11.7	12826		992	3.79	13068		1012	3.78	13673		1074	3.73
59°F	15.0	13673		1021	3.92	13915		1042	3.91	14520		1106	3.85
64°F	17.8	13068		1050	3.65	13310		1071	3.64	13915		1137	3.59
70°F	21.1	12584		1060	3.48	12826		1081	3.48	13431		1147	3.43
75°F	23.9	11737		1069	3.22	11979		1091	3.22	12584		1158	3.19
78°F	25.6	11011		1040	3.10	11253		1062	3.11	11858		1127	3.08

\* Maximum system capacity

TC- Total Capacity ( BtuH)

SHC- Sensible Capacity (BtuH)