

# LBG Products®

HVAC expert, provide comfort life at home

## SPLIT TYPE // 18SEER MINI SPLIT-SILENIGHT SERIES

**Model:  
LBH12DS**

Item	Unit	Specification
ODU Model	—	LBH12DSO
IDU Model	—	LBH12DSI
<b>System Ratings</b>		
Cooling Capacity	Btu/h	12,000
Heating Capacity (47°F)	Btu/h	13,000
Heating Capacity (17°F)	Btu/h	7,500
Cooling Capacity Range	Btu/h	3,753-12,500
Heating Capacity Range	Btu/h	3,924-14,000
Cooling Power Input (Max)	W	1,350
Heating Power Input (Max)	W	1,500
SEER	—	18.0
HSPF	—	9.0
EER	(Btu/h)/W	10.4
COP	W/W	3.05
Cooling Operation Range	°F (°C)	0~115.0 (-18.0~46.0)
Heating Operation Range	°F (°C)	-13.0~75.0 (-25.0~24.0)
Gas Pipe Size (OD)	Inch	3/8
Liquid Pipe Size (OD)	Inch	1/4
Connection Method	—	Flared
Factory Charge	oz	31.8
Additional Charge	oz/ft	0.2
Pre-Charge Length	ft.	25
MAX Refrigerant Length	ft.	100
Min Refrigerant Pipe Length	ft.	10
MAX Refrigerant Pipe Elevation	ft.	65
<b>Indoor Unit Data</b>		
Fan Motor Power Output	W	20
Fan Motor FLA	A	0.31
Air Flow Volume	CFM	194/400
Sound Pressure Level	dB(A)	29/43
Dehumidification	pt/hr	2.96
Power Supply	—	208/230V / 1Ph / 60Hz
Min/Max Voltage	V	187-253
MCA	A	9.0
MOCP/Breaker Size	A	15.0
<b>Outdoor Unit Data</b>		
Compressor Type	—	DC Inverter Rotary
Compressor RLA	A	6.60
Refrigerant Type	—	R410A
Fan Motor Power Output	W	30
Fan Motor FLA	A	0.37
Sound Pressure Level	dB(A)	53
Power Supply	—	208/230V / 1Ph / 60Hz
Min/Max Voltage	V	187-253
Main Supply Wire Size	—	1.3 (AWG16)
MCA	A	9.0
MOCP/Breaker Size	A	15.0



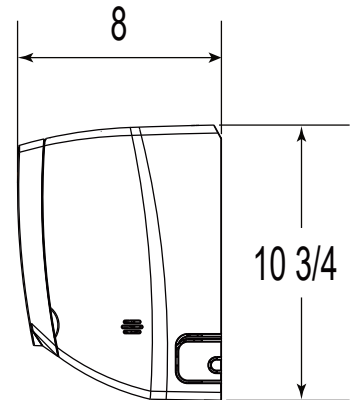
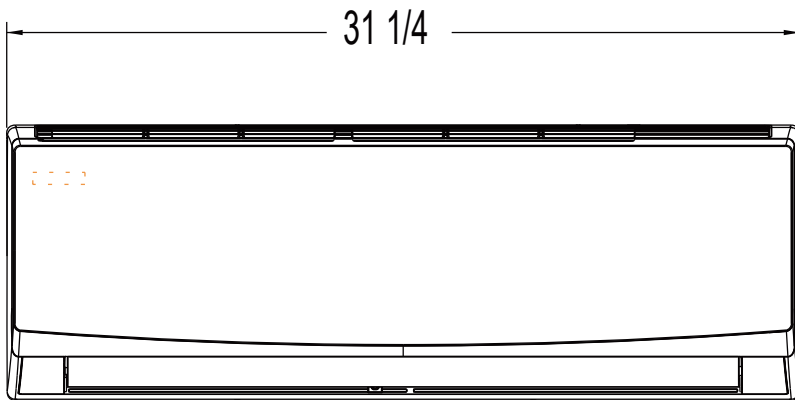
Job Name:

Schedule Reference:

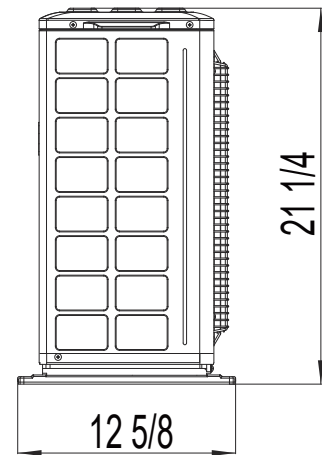
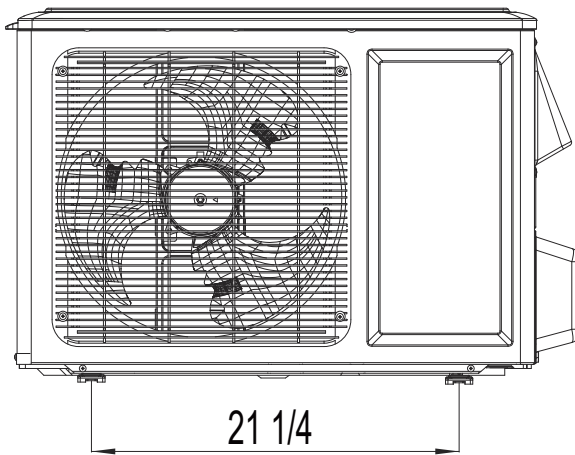
Date:

Specification are subject to change without notice.

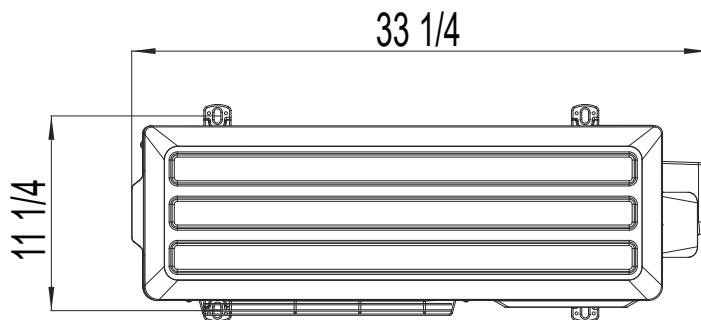
## Outline and Physical Dimension of LBH12DS.



Units: inch



Units: inch



Net Weight IDU	lb	23.2
Gross Weight IDU	lb	27.6
Net Weight ODU	lb	69.5
Gross Weight ODU	lb	75



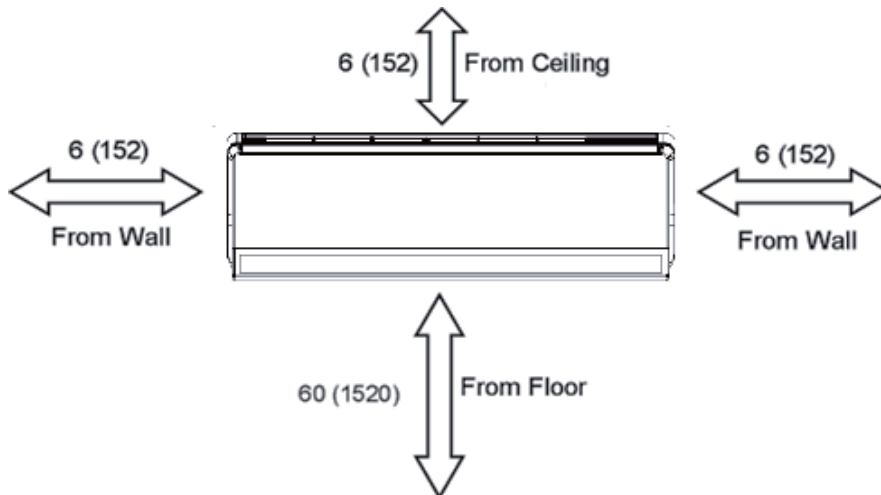
## DIMENSIONAL SPECIFICATIONS

LBH12DS

### MINIMUM SPACING REQUIREMENTS

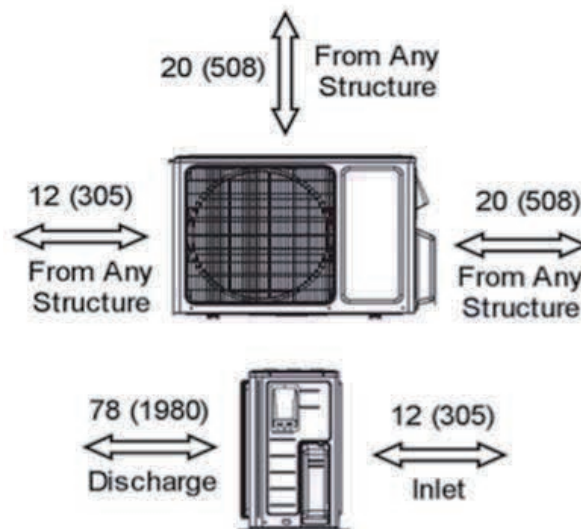
Units: inch (mm)

#### INDOOR



Units: inch (mm)

#### OUTDOOR



# LBG Products®

HVAC expert, provide comfort life at home

## COOLING PERFORMANCE (BtuH)\*

Outdoor Ambient Temperature (DB) °F	Indoor Entering Air Temperatures					
	68°F DB		74°F DB		80°F DB	
	57°F WB		61°F WB		67°F WB	
	TC	SHC	TC	SHC	TC	SHC
0°F	6113	4432	6435	4665	6774	4911
5°F	6785	4953	7142	5214	7518	5488
17°F	7710	5667	8116	5965	8543	6279
23°F	8116	6006	8543	6322	8993	6655
32°F	9018	6718	9492	7072	9992	7444
41°F	9492	7119	9992	7494	10518	7888
50°F	9816	7411	10333	7801	10876	8212
57°F	10140	7706	10674	8112	11236	8539
67°F	10450	7994	11000	8415	11579	8858
75°F	10738	8268	11303	8703	11898	9161
86°F	11245	8715	11837	9174	12460	9657
95°F	10830	8447	11400	8892	12000	9360
104°F	10559	8289	11115	8725	11700	9185
113°F	10242	8092	10782	8517	11349	8966
122°F	/	/	/	/	/	/
129°F	/	/	/	/	/	/

## HEATING PERFORMANCE (BtuH)\*

Outdoor Ambient Temperature (DB)	Indoor Entering Air Temperatures					
	68°F DB		70°F DB		80°F DB	
	57°F WB		60°F WB		67°F W B	
	TC	SHC	TC	SHC	TC	SHC
-31°F	/		/		/	
-22°F	6647		6588		6384	
-13°F	6888		6740		6548	
-5°F	7063		6890		6788	
0°F	7216		7036		6970	
5°F	7369		7211		7021	
10°F	8278		7846		7698	
17°F	8606		8100		8013	
20°F	9985		8787		8596	
24°F	10268		9258		9101	
32°F	12367		12264		10888	
41°F	13189		13053		12576	
43°F	13486		13291		12797	
47°F	13316		13000		12618	
53°F	12886		12621		12401	
59°F	12299		12233		12084	
64°F	11979		11864		11735	
70°F	11304		11186		11076	
75°F	11086		10635		10361	
78°F	10160		10145		9904	

\* Maximum system capacity

TC- Total Capacity ( BtuH)

SHC- Sensible Capacity (BtuH)