

SPLIT TYPE 23SEER MINI SPLIT-AIRBOX SERIES

Specifications	Unit	Parameter
ODU Model	-	LBH12DWO
IDU Model	-	LBH12DWI
System Ratings		
Cooling Capacity	Btu/h	12,000
Heating Capacity (47°F)	Btu/h	12,000
Heating Capacity (17°F)	Btu/h	7,700
Cooling Capacity Range	Btu/h	3,071-14,100
Heating Capacity Range	Btu/h	3,071-15,500
Cooling Power Input (Max)	W	1,400
Heating Power Input (Max)	W	1,500
SEER	-	23
HSPF	-	11
EER	(Btu/h) /W	13
COP	W/W	3.61
Cooling Operation Range	°F(°C)	-20.0~122.0(-29.0~50.0)
Heating Operation Range	°F(°C)	-22.0~86.0(-30.0~30.0)
Gas Pipe Size (OD)	Inch	1/2
Liquid Pipe Size (OD)	Inch	1/4
Connection Method	-	Flared
Factory Charge	oz	47.3
Additional Charge	oz/ft.	0.2
Pre-Charge Length	ft.	24.6
MAX Refrigerant Length	ft.	65.6
Min Refrigerant Pipe Length	ft.	10
MAX Refrigerant Pipe Elevation	ft.	32.8
Indoor Unit Data		
Fan Motor Power Output	W	20
Fan Motor RLA	A	0.2
Air Flow Volume	CFM	230/400
Sound Pressure Level		
Cooling Mode (Heating Mode)	dB(A)	23/43 (28/44)
Dehumidication	pt/hr	2.96
Power Supply	-	208/230V / 1Ph / 60Hz
Min/Max Voltage	V	187 - 253
MCA	A	10
MOCP/Breaker Size	A	15
Outdoor Unit Data		
Compressor Type	-	DC Inverter Rotary
Compressor RLA	A	6.6
Refrigerant Type	-	R410A
Fan Motor Power Output	W	30
Fan Motor RLA	A	0.4
Sound Pressure Level	dB(A)	52
Power Supply	-	208/230V / 1Ph / 60Hz
Min/Max Voltage	V	187 - 253
Main Supply Wire Size	-	1.3mm ² (AWG16)
MCA	A	10
MOCP/Breaker Size	A	15

**Model:
LBH12DW**

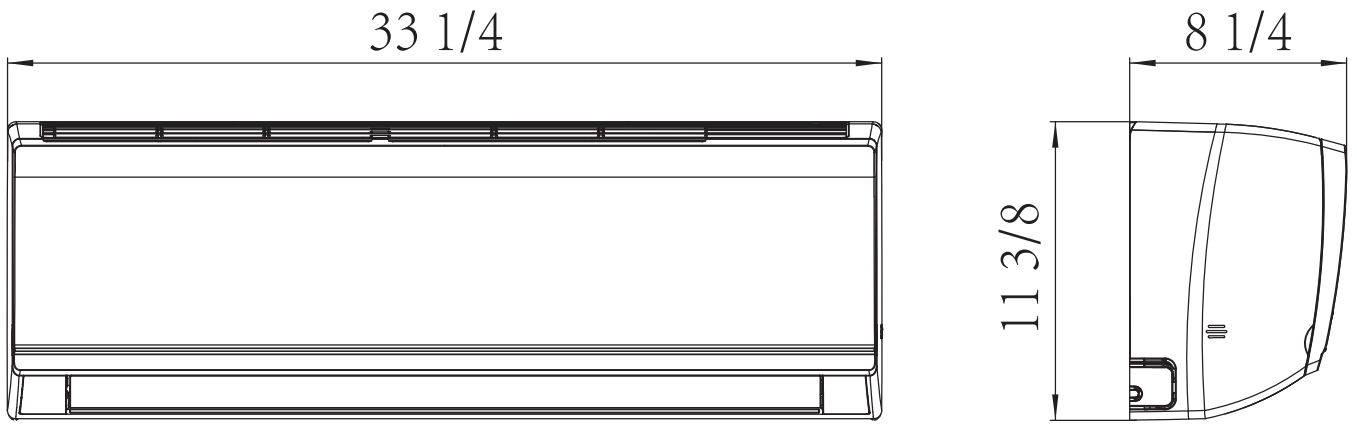


Job Name:

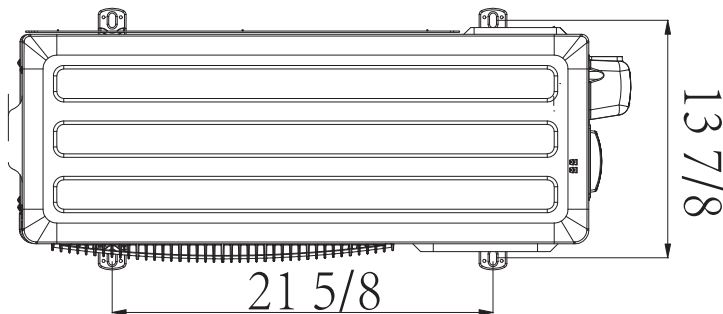
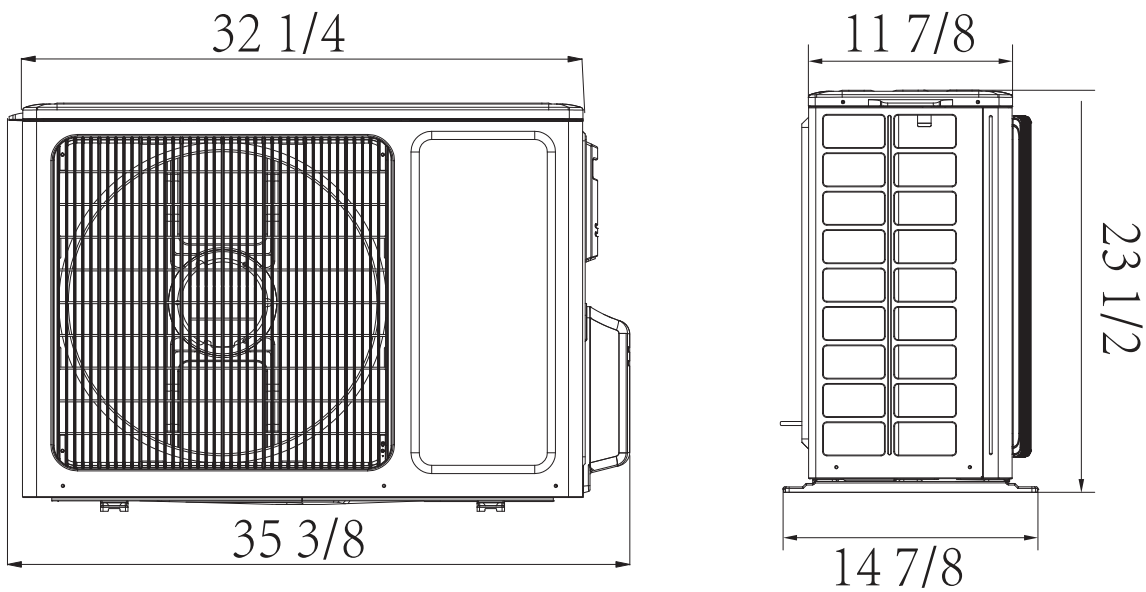
Schedule Reference:

Date:

Outline and Physical Dimension of LBH12DW.



Units: inch



Liquid Pipe Valve	1/4 inch
Gas Pipe Valve	1/2 inch

Net Weight IDU	22 lb
Gross Weight IDU	26.5 lb
Net Weight ODU	83.8 lb
Gross Weight ODU	90.4 lb

Units: inch



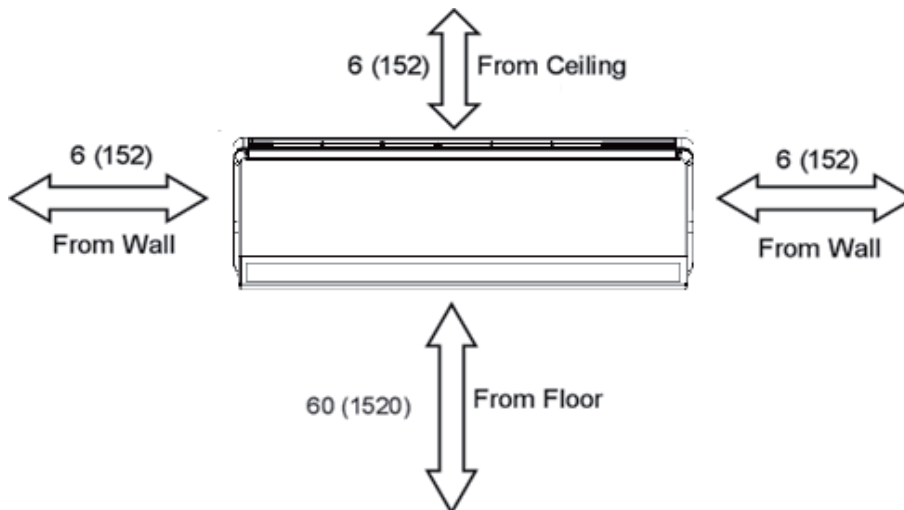
DIMENSIONAL SPECIFICATIONS

LBH12DW

MINIMUM SPACING REQUIREMENTS

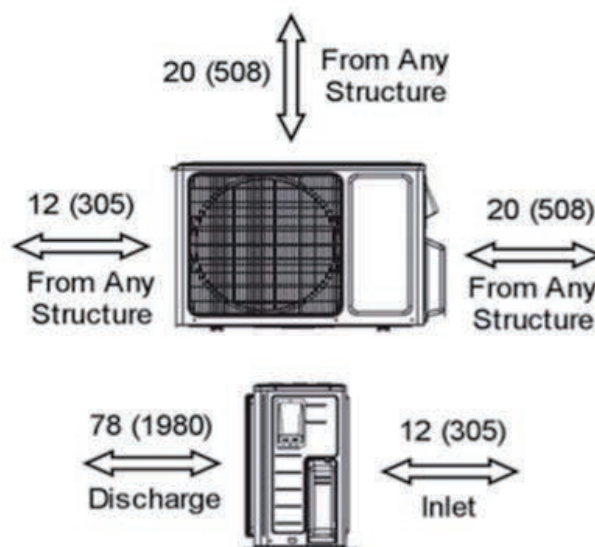
Units: inch (mm)

INDOOR



Units: inch (mm)

OUTDOOR



LBG Products®

HVAC expert, provide comfort life at home

COOLING PERFORMANCE (BtuH)*													
Outdoor Ambient Temperature	Indoor Entering Air Temperatures												
	68°F DB (20°C)					74°F DB (23.3°C)				80°F DB (26.7°C)			
	57°F WB (13.9°C)					61°F WB (16.1°C)				67°F WB (19.4°C)			
	°C	TC	SHC	INPUT	EER	TC	SHC	INPUT	EER	TC	SHC	INPUT	EER
0°F	-18.0	4920	3567	395	3.65	5520	4002	430	3.77	6000	4350	452	3.89
5°F	-15.0	5160	3767	403	3.75	5760	4205	438	3.85	6240	4555	462	3.96
17°F	-8.3	5520	4057	428	3.78	6120	4498	465	3.86	6600	4851	489	3.95
23°F	-5.0	6120	4529	460	3.90	6720	4973	500	3.94	7200	5328	526	4.01
32°F	0.0	6600	4917	484	4.00	7200	5364	526	4.01	7680	5722	554	4.06
41°F	5.0	7320	5490	524	4.09	7920	5940	570	4.07	8400	6300	600	4.10
50°F	10.0	8040	6070	613	3.84	8640	6523	666	3.80	9120	6886	701	3.81
57°F	13.9	8640	6566	645	3.92	9240	7022	701	3.86	9720	7387	738	3.86
67°F	19.4	9960	7619	726	4.02	10560	8078	789	3.92	11040	8446	831	3.90
75°F	23.9	11040	8501	766	4.22	11640	8963	833	4.10	12120	9332	877	4.05
86°F	30.0	12000	9300	791	4.45	12600	9765	859	4.30	13080	10137	905	4.24
95°F	35.0	10920	8518	807	3.97	11520	8986	877	3.85	12000	9360	923	3.81
104°F	40.0	9720	7630	871	3.27	10320	8101	947	3.19	10800	8478	997	3.18
113°F	45.0	9000	7110	928	2.84	9600	7584	1008	2.79	10080	7963	1061	2.78
122°F	50.0	7800	6201	936	2.44	8400	6678	1017	2.42	8880	7060	1071	2.43
129°F	53.9	6120	4896	944	1.90	6720	5376	1026	1.92	7200	5760	1080	1.95

HEATING PERFORMANCE (BtuH)*													
Outdoor Ambient Temperature	Indoor Entering Air Temperatures												
	68°F DB (20°C)					70°F DB (21.1°C)				80°F DB (26.7°C)			
	57°F WB (13.9°C)					60°F WB (15.6°C)				67°F WB (19.4°C)			
	°C	TC	SHC	INPUT	COP	TC	SHC	INPUT	COP	TC	SHC	INPUT	COP
-31°F	-35.0	/			/								
-22°F	-30.0	4560		1002	1.33	4800		1023	1.38	5400		1085	1.46
-13°F	-25.0	4920		1031	1.40	5160		1052	1.44	5760		1116	1.51
-5°F	-20.6	5520		1060	1.53	5760		1081	1.56	6360		1147	1.62
0°F	-17.8	6120		1079	1.66	6360		1101	1.69	6960		1168	1.75
5°F	-15.0	6840		1098	1.83	7080		1120	1.85	7680		1189	1.89
10°F	-12.2	7200		1060	1.99	7440		1081	2.02	8040		1147	2.05
17°F	-8.3	7500		1050	2.09	7740		1071	2.12	8340		1137	2.15
20°F	-6.7	8760		1002	2.56	9000		1023	2.58	9600		1085	2.59
24°F	-4.4	9840		974	2.96	10080		993	2.97	10680		1054	2.97
32°F	0.0	10920		964	3.32	11160		984	3.32	11760		1044	3.30
41°F	5.0	11160		916	3.57	11400		935	3.57	12000		992	3.54
43°F	6.1	11520		935	3.61	11760		955	3.61	12360		1013	3.58
47°F	8.3	11760		955	3.61	12000		974	3.61	12600		1034	3.57
53°F	11.7	12720		983	3.79	12960		1003	3.79	13560		1065	3.73
59°F	15.0	13560		1012	3.93	13800		1032	3.92	14400		1096	3.85
64°F	17.8	12960		1040	3.65	13200		1062	3.64	13800		1127	3.59
70°F	21.1	12480		1050	3.48	12720		1071	3.48	13320		1137	3.43
75°F	23.9	11640		1060	3.22	11880		1081	3.22	12480		1147	3.19
78°F	25.6	10920		1031	3.10	11160		1052	3.11	11760		1116	3.09

* Maximum system capacity

TC- Total Capacity (BtuH)

SHC- Sensible Capacity (BtuH)