

## SPLIT TYPE // 18SEER MINI SPLIT-SILENIGHT SERIES

**Model:  
LBH18DS**

Item	Unit	Specification
ODU Model	—	LBH18DSO
IDU Model	—	LBH18DSI
<b>System Ratings</b>		
Cooling Capacity	Btu/h	18,000
Heating Capacity (47°F)	Btu/h	19,800
Heating Capacity (17°F)	Btu/h	11,300
Cooling Capacity Range	Btu/h	3,412-20,472
Heating Capacity Range	Btu/h	3,412-21,837
Cooling Power Input (Max)	W	2,350
Heating Power Input (Max)	W	2,350
SEER	—	18.0
HSPF	—	9.0
EER	(Btu/h)/W	9.89
COP	W/W	2.78
Cooling Operation Range	°F (°C)	0~115.0 (-18.0~46.0)
Heating Operation Range	°F (°C)	-13.0~75.0 (-25.0~24.0)
Gas Pipe Size (OD)	Inch	1/2
Liquid Pipe Size (OD)	Inch	1/4
Connection Method	—	Flared
Factory Charge	oz	45.86
Additional Charge	oz/ft	0.2
Pre-Charge Length	ft.	25
MAX Refrigerant Length	ft.	100
Min Refrigerant Pipe Length	ft.	10
MAX Refrigerant Pipe Elevation	ft.	65
<b>Indoor Unit Data</b>		
Fan Motor Power Output	W	35
Fan Motor FLA	A	0.37
Air Flow Volume	CFM	294/500
Sound Pressure Level	dB(A)	35/47
Dehumidication	pt/hr	3.80
Power Supply	—	208/230V / 1Ph / 60Hz
Min/Max Voltage	V	187-253
MCA	A	16.0
MOCP/Breaker Size	A	25.0
<b>Outdoor Unit Data</b>		
Compressor Type	—	DC Inverter Rotary
Compressor RLA	A	12.08
Refrigerant Type	—	R410A
Fan Motor Power Output	W	60
Fan Motor FLA	A	0.52
Sound Pressure Level	dB(A)	53
Power Supply	—	208/230V / 1Ph / 60Hz
Min/Max Voltage	V	187-253
Main Supply Wire Size	—	AWG14
MCA	A	16.0
MOCP/Breaker Size	A	25.0

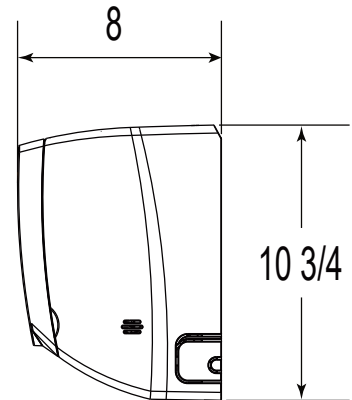
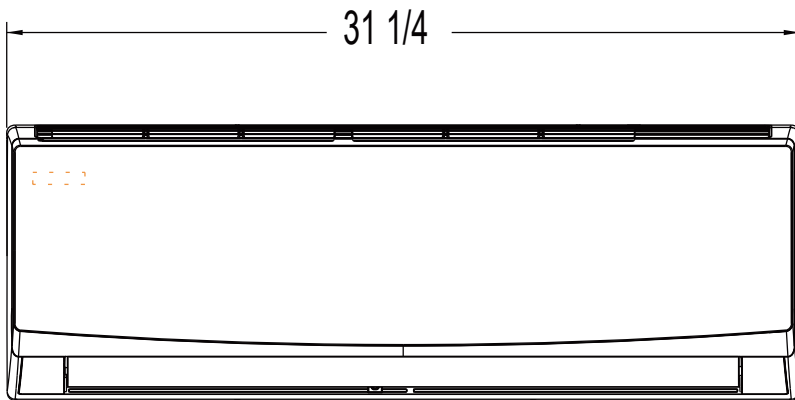


**Job Name:**

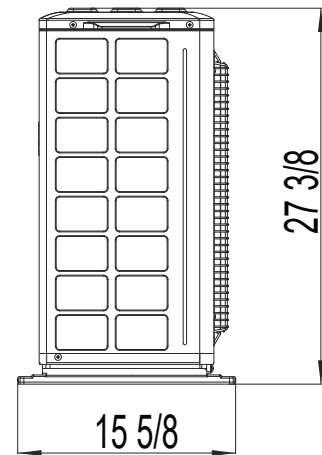
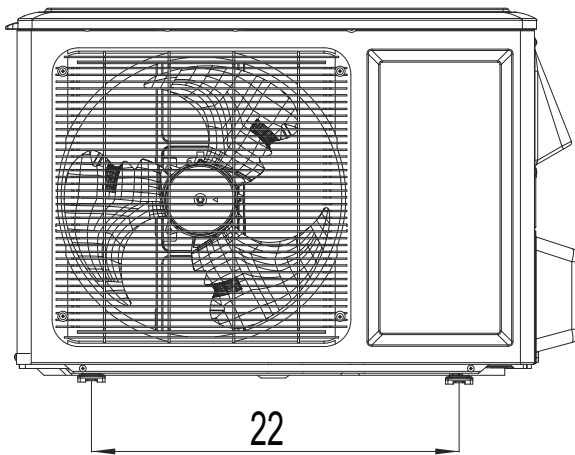
**Schedule Reference:**

**Date:**

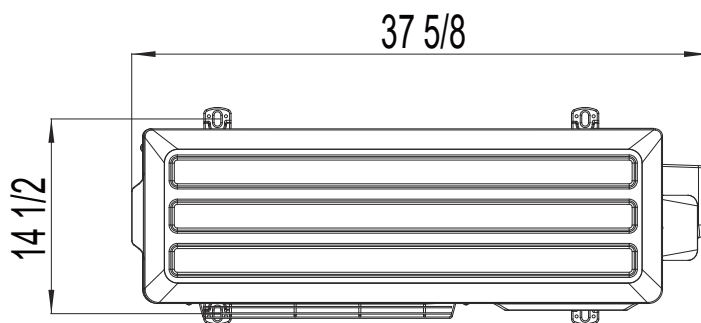
## Outline and Physical Dimension of LBH18DS.



Units: inch



Units: inch



Net Weight IDU	lb	30.9
Gross Weight IDU	lb	37.5
Net Weight ODU	lb	97
Gross Weight ODU	lb	106.9



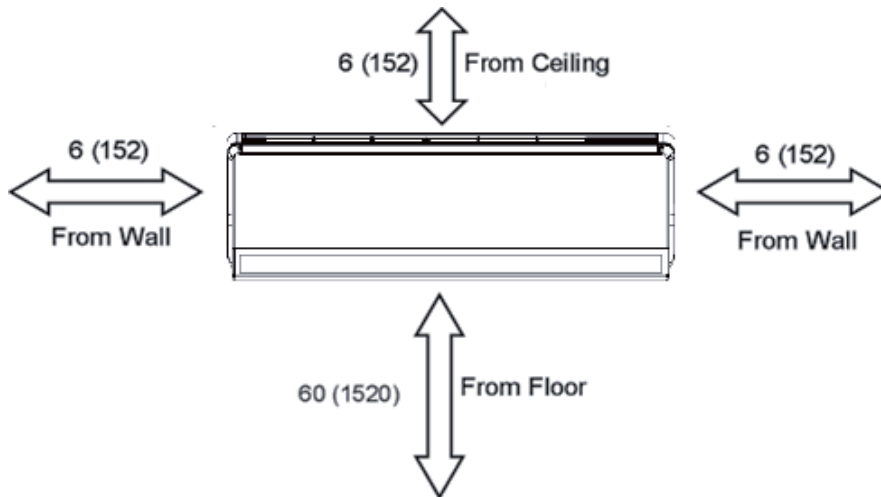
## DIMENSIONAL SPECIFICATIONS

LBH18DS

### MINIMUM SPACING REQUIREMENTS

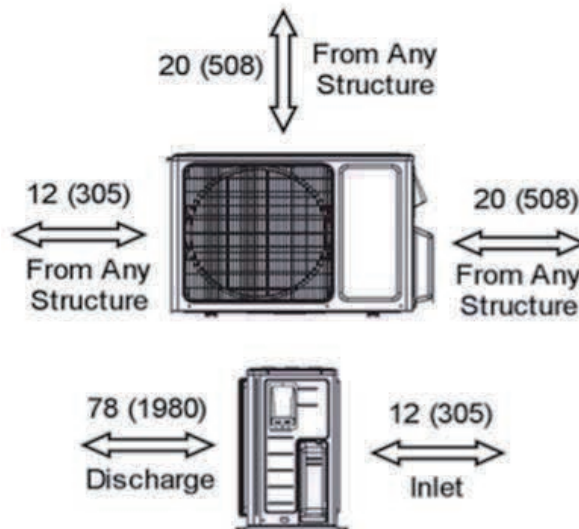
Units: inch (mm)

#### INDOOR



Units: inch (mm)

#### OUTDOOR



# LBG Products®

HVAC expert, provide comfort life at home

COOLING PERFORMANCE (BtuH)*						
Outdoor Ambient Temperature (DB) °F	Indoor Entering Air Temperatures					
	68°F DB		74°F DB		80°F DB	
	57°F WB		61°F WB		67°F WB	
	TC	SHC	TC	SHC	TC	SHC
0°F	7220	5234	7600	5510	8000	5800
5°F	8212	5995	8645	6310	9100	6643
17°F	9205	6765	9690	7122	10200	7497
23°F	10505	7773	11058	8182	11640	8613
32°F	10902	8121	11476	8549	12080	8999
41°F	14384	10788	15141	11355	15938	11953
50°F	14828	11195	15609	11784	16431	12405
57°F	15286	11617	16091	12229	16938	12872
67°F	15759	12056	16589	12690	17463	13359
75°F	16083	12383	16929	13035	17820	13721
86°F	16732	12967	17613	13650	18540	14368
95°F	16245	12671	17100	13338	18000	14040
104°F	15920	12497	16758	13155	17640	13847
113°F	15442	12199	16255	12841	17110	13517
122°F	/	/	/	/	/	/
129°F	/	/	/	/	/	/

HEATING PERFORMANCE (BtuH)*						
Outdoor Ambient Temperature (DB)	Indoor Entering Air Temperatures					
	68°F DB		70°F DB		80°F DB	
	57°F WB		60°F WB		67°F WB	
	TC	SHC	TC	SHC	TC	SHC
-31°F	/		/		/	
-22°F	8172		7064		7870	
-13°F	9281		8157		8784	
-5°F	11686		10526		10938	
0°F	12203		11035		11531	
5°F	13484		12297		12610	
10°F	14013		12818		13232	
17°F	15416		11300		14551	
20°F	16504		16349		15884	
24°F	17306		17143		16654	
32°F	17974		17804		17295	
41°F	18934		18755		18217	
43°F	19748		19561		18998	
47°F	19980		19800		18455	
53°F	17574		17398		17871	
59°F	17043		16873		16361	
64°F	16207		16045		15559	
70°F	15279		15126		14668	
75°F	14379		14235		13804	
78°F	13964		13824		13405	

\* Maximum system capacity

TC- Total Capacity ( BtuH)  
 SHC- Sensible Capacity (BtuH)