

LBG Products®

HVAC expert, provide comfort life at home

SPLIT TYPE // 23SEER MINI SPLIT-AIRBOX SERIES

**Model:
LBH18DW**



Specifications	Unit	Parameter
ODU Model	-	LBH18DWO
IDU Model	-	LBH18DWI
System Ratings		
Cooling Capacity	Btu/h	18,000
Heating Capacity (47°F)	Btu/h	19,800
Heating Capacity (17°F)	Btu/h	12,400
Cooling Capacity Range	Btu/h	6,800-20,000
Heating Capacity Range	Btu/h	7,340-23,500
Cooling Power Input (Max)	W	2,150
Heating Power Input (Max)	W	2,600
SEER	-	20.0
HSPF	-	10.5
EER	(Btu/h) /W	12.5
COP	W/W	3.35
Cooling Operation Range	°F (°C)	0~115 (-18~46)
Heating Operation Range	°F (°C)	-4~75 (-20~24)
Gas Pipe Size (OD)	Inch	5/8
Liquid Pipe Size (OD)	Inch	1/4
Connection Method	-	Flared
Factory Charge	oz	56.4
Additional Charge	oz/ft.	0.2
Pre-Charge Length	ft.	25
MAX Refrigerant Length	ft.	82
Min Refrigerant Pipe Length	ft.	10
MAX Refrigerant Pipe Elevation	ft.	33
Indoor Unit Data		
Fan Motor Power Output	W	60
Fan Motor RLA	A	0.24
Air Flow Volume	CFM	335/559
Sound Pressure Level	dB(A)	39/47
Dehumidication	pt/hr	3.80
Power Supply	-	208/230V / 1Ph / 60Hz
Min/Max Voltage	V	187 - 253
MCA	A	16.0
MOCP/Breaker Size	A	25.0
Outdoor Unit Data		
Compressor Type	-	DC Inverter Rotary
Compressor RLA	A	12.08
Refrigerant Type	-	R410A
Fan Motor Power Output	W	60
Fan Motor RLA	A	0.49
Sound Pressure Level	dB(A)	55
Power Supply	-	208/230V / 1Ph / 60Hz
Min/Max Voltage	V	187 - 253
Main Supply Wire Size	-	2.1mm ² (AWG14)
MCA	A	16.0
MOCP/Breaker Size	A	25.0

Job Name:

Schedule Reference:

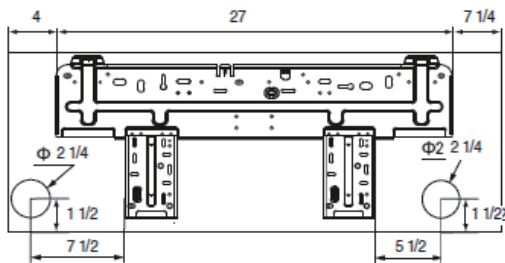
Date:

Specification are subject to change without notice.

LBG Products®

HVAC expert, provide comfort life at home

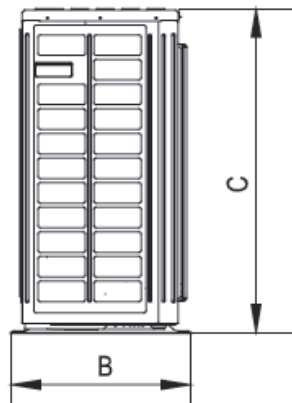
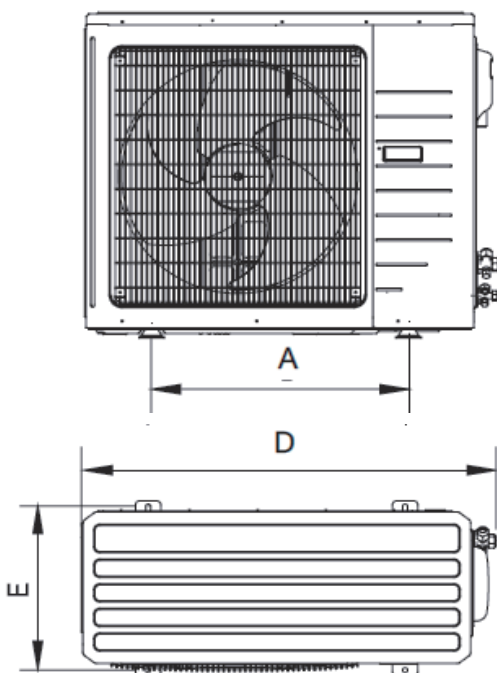
Outline and Physical Dimension of LBH18DW.



Dimensions	
A	38 1/4
B	11 3/4
C	8 3/4

Liquid Line Valve	1/4-in OD Flared
Gas Line Valve	5/8-in OD Flared
Drain Connector	5/8-in OD

Units: inch



Dimensions	
A	22
B	15 5/8
C	27 5/8
D	37 5/8
E	14 1/4

Units: inch

Liquid Line Valve	1/4-in OD Flared
Gas Line Valve	5/8-in OD Flared

Net Weight IDU	27.6 lb
Gross Weight IDU	34.2 lb
Net Weight ODU	105.8 lb
Gross Weight ODU	115.8 lb



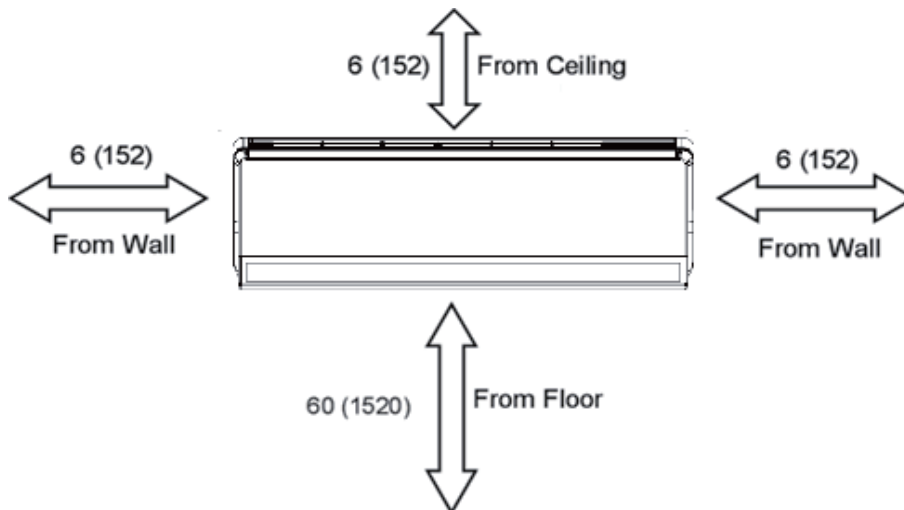
DIMENSIONAL SPECIFICATIONS

LBH18DW

MINIMUM SPACING REQUIREMENTS

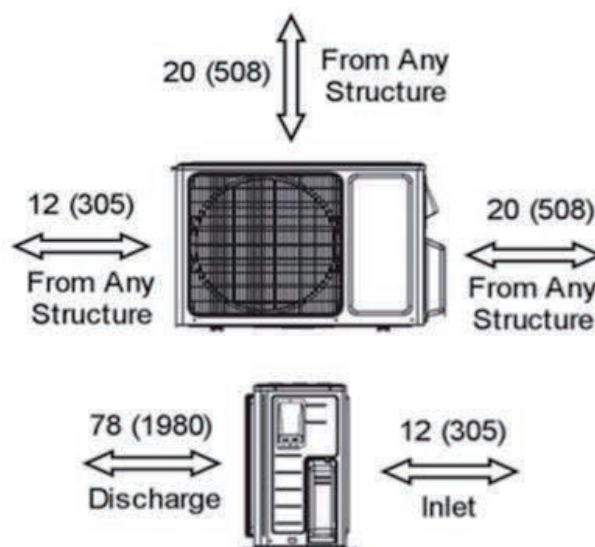
Units: inch (mm)

INDOOR



Units: inch (mm)

OUTDOOR



COOLING PERFORMANCE (BtuH)*

Outdoor Ambient DB	Indoor Ambient Temperature							
	68°F DB (20°C)		73°F DB (23°C)		80°F DB (27°C)		82°F DB (28°C)	
	57°F WB (14°C)		61°F WB (16°C)		67°F WB (29°C)		68°F WB (20°C)	
	TC	SHC	TC	SHC	TC	SHC	TC	SHC
5°F	11,484	9,007	12,132	9,511	13,692	10,739	14,072	11,037
14°F	11,778	9,238	12,438	9,754	14,214	11,146	14,609	11,456
23°F	12,582	9,870	13,458	10,557	15,420	12,094	15,848	12,430
32°F	15,258	11,967	16,320	12,799	17,874	14,015	18,371	14,404
41°F	17,280	13,553	18,360	14,398	19,620	15,388	20,165	15,816
50°F	17,076	13,395	18,162	14,246	19,440	15,248	19,980	15,672
59°F	16,656	13,061	17,736	13,911	19,260	15,109	19,795	15,528
68°F	16,236	12,732	17,316	13,583	18,900	14,823	19,425	15,235
77°F	15,822	12,410	16,896	13,249	18,540	14,543	19,055	14,947
86°F	15,366	12,052	16,440	12,890	18,000	14,118	18,500	14,510
95°F	14,994	11,760	16,062	12,599	17,766	13,936	18,260	14,323
104°F	14,622	11,468	15,690	12,307	17,532	13,753	18,019	14,135
113°F	13,872	10,879	14,940	11,717	16,788	13,164	17,254	13,530

HEATING PERFORMANCE (BtuH)*

Outdoor Ambient DB	Indoor Ambient Temperature							
	68°F DB (20°C)		73°F DB (23°C)		80°F DB (27°C)		86°F DB (30°C)	
	57°F WB (14°C)		61°F WB (16°C)		67°F WB (19°C)		72°F WB (22°C)	
	TC	SHC	TC	SHC	TC	SHC	TC	SHC
-4°F	10,389	10,389	10,290	10,290	10,117	10,117	9,708	9,708
0°F	11,255	11,255	11,150	11,150	10,964	10,964	10,513	10,513
6°F	11,874	11,874	11,762	11,762	11,564	11,564	11,088	11,088
10°F	12,369	12,369	12,251	12,251	12,047	12,047	11,552	11,552
16°F	12,740	12,740	12,623	12,623	12,412	12,412	11,899	11,899
19°F	12,994	12,994	12,864	12,864	12,653	12,653	12,128	12,128
24°F	14,435	14,435	14,312	14,312	14,095	14,095	13,575	13,575
32°F	16,118	16,118	15,995	15,995	15,778	15,778	15,258	15,258
41°F	18,043	18,043	17,919	17,919	17,709	17,709	17,183	17,183
43°F	18,525	18,525	18,402	18,402	18,185	18,185	17,665	17,665
47°F	20,202	20,202	19,998	19,998	19,652	19,652	18,798	18,798
53°F	20,406	20,406	20,196	20,196	19,843	19,843	18,983	18,983
59°F	20,870	20,870	20,660	20,660	20,295	20,295	19,416	19,416
64°F	21,316	21,316	21,099	21,099	20,728	20,728	19,831	19,831
70°F	21,718	21,718	21,495	21,495	21,124	21,124	20,208	20,208
75°F	22,021	22,021	21,799	21,799	21,415	21,415	20,487	20,487

* Maximum system capacity

TC- Total Capacity (BtuH)

SHC- Sensible Capacity (BtuH)