

SPLIT TYPE // 18SEER MINI SPLIT-SILENIGHT SERIES

Model: LBH24DS

Item	Unit	Specification
ODU Model	—	LBH24DSO
IDU Model	—	LBH24DSI
System Ratings		
Cooling Capacity	Btu/h	22,000
Heating Capacity (47°F)	Btu/h	24,000
Heating Capacity (17°F)	Btu/h	16,000
Cooling Capacity Range	Btu/h	8,600-24,000
Heating Capacity Range	Btu/h	8,600-26,000
Cooling Power Input (Max)	W	2,700
Heating Power Input (Max)	W	2,750
SEER	—	18.0
HSPF	—	10.0
EER	(Btu/h)/W	10.95
COP	W/W	3.30
Cooling Operation Range	°F (°C)	0~115.0 (-18.0~46.0)
Heating Operation Range	°F (°C)	-13.0~75.0 (-25.0~24.0)
Gas Pipe Size (OD)	Inch	5/8
Liquid Pipe Size (OD)	Inch	1/4
Connection Method	—	Flared
Factory Charge	oz	56.4
Additional Charge	oz/ft	0.54
Pre-Charge Length	ft.	25
MAX Refrigerant Length	ft.	100
Min Refrigerant Pipe Length	ft.	10
MAX Refrigerant Pipe Elevation	ft.	65.6
Indoor Unit Data		
Fan Motor Power Output	W	35
Fan Motor FLA	A	0.32
Air Flow Volume	CFM	441/706
Sound Pressure Level	dB(A)	36/49
Dehumidication	pt/hr	4.23
Power Supply	—	208/230V / 1Ph / 60Hz
Min/Max Voltage	V	187-253
MCA	A	16.0
MOCP/Breaker Size	A	25.0
Outdoor Unit Data		
Compressor Type	—	DC Inverter Rotary
Compressor RLA	A	12.18
Refrigerant Type	—	R410A
Fan Motor Power Output	W	60
Fan Motor FLA	A	0.40
Sound Pressure Level	dB(A)	58
Power Supply	—	208/230V / 1Ph / 60Hz
Min/Max Voltage	V	187-253
Main Supply Wire Size	—	2.1 (AWG14)
MCA	A	16.0
MOCP/Breaker Size	A	25.0

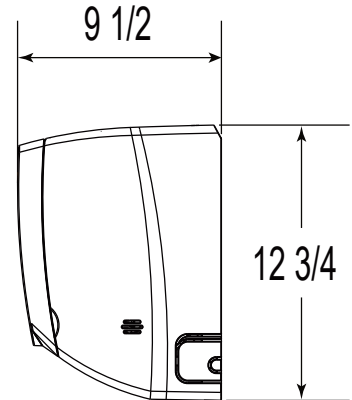
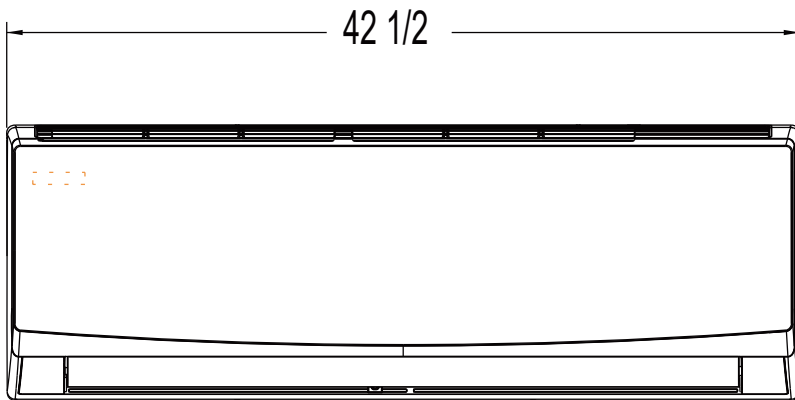


Job Name:

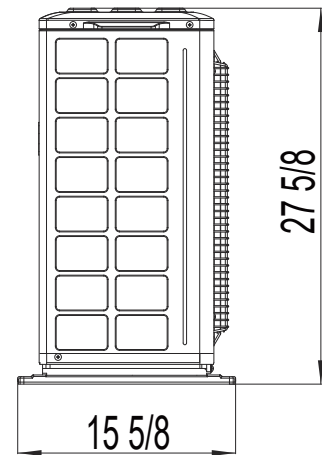
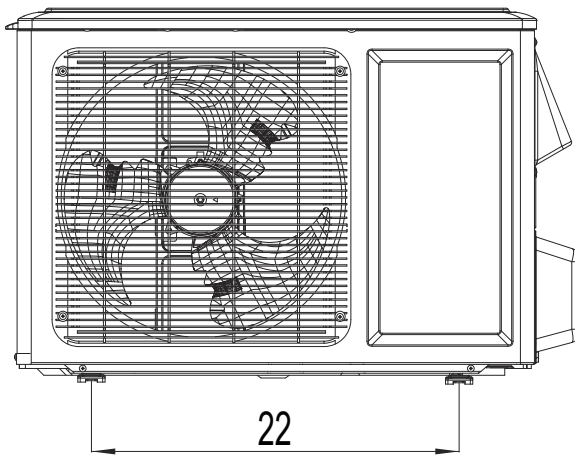
Schedule Reference:

Date:

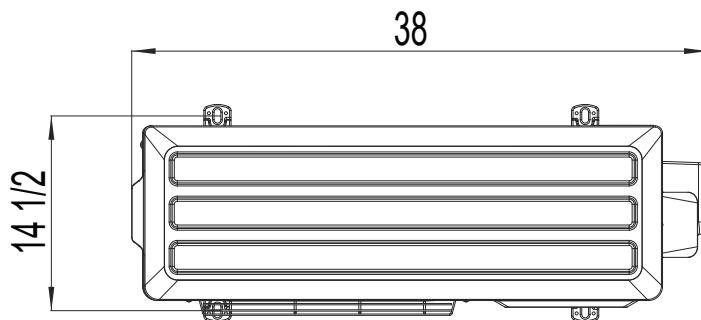
Outline and Physical Dimension of LBH24DS.



Units: inch



Units: inch



Net Weight IDU	lb	37.5
Gross Weight IDU	lb	45.2
Net Weight ODU	lb	103.6
Gross Weight ODU	lb	113.6



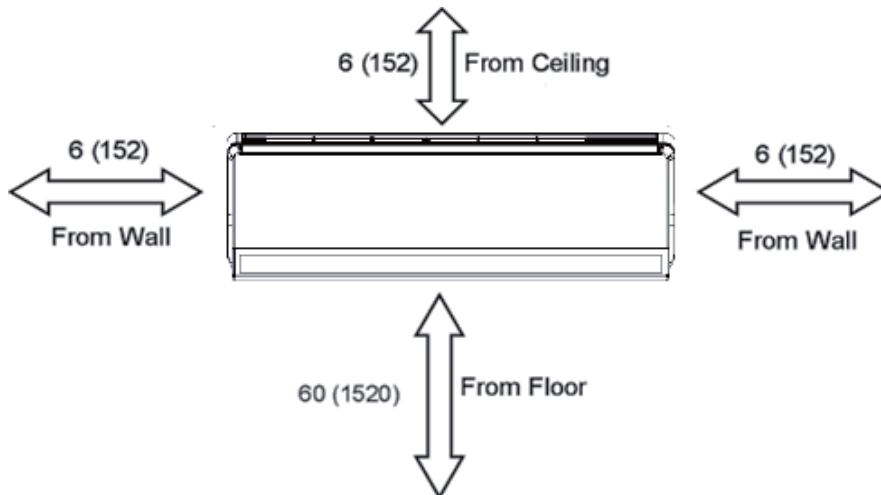
DIMENSIONAL SPECIFICATIONS

LBH24DS

MINIMUM SPACING REQUIREMENTS

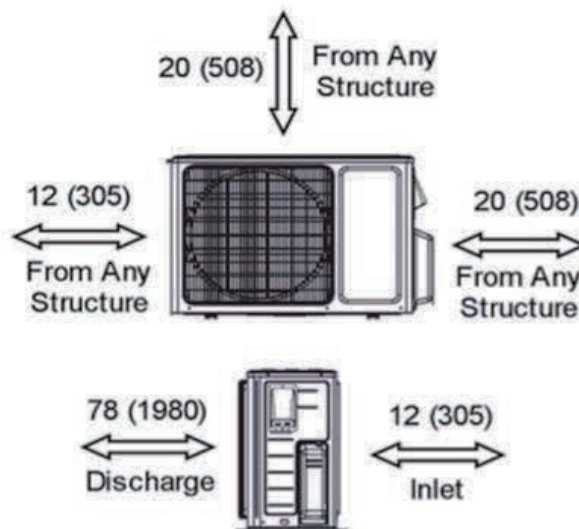
Units: inch (mm)

INDOOR



Units: inch (mm)

OUTDOOR



LBG Products®

HVAC expert, provide comfort life at home

COOLING PERFORMANCE (BtuH)*

Outdoor Ambient Temperature (DB) °F	Indoor Entering Air Temperatures					
	68°F DB (20°C)		74°F DB (23.3°C)		80°F DB (26.7°C)	
	57°F WB (13.9°C)		61°F WB (16.1°C)		67°F WB (19.4°C)	
	TC	SHC	TC	SHC	TC	SHC
0°F	7480	5423	9240	6699	11000	7975
5°F	8580	6263	10340	7548	12100	8833
17°F	9680	7115	11440	8408	13200	9702
23°F	10120	7489	11880	8791	13640	10094
32°F	10560	7867	12320	9178	14080	10490
41°F	11880	8910	13640	10230	15400	11550
50°F	13200	9966	14960	11295	16720	12624
57°F	14080	10701	15840	12038	17600	13376
67°F	14740	11276	16500	12623	18260	13969
75°F	18280	14030	20110	15385	21800	16740
86°F	20460	15857	22220	17221	23980	18585
95°F	18480	14414	20240	15787	22000	17160
104°F	16280	12780	18040	14161	19800	15543
113°F	14960	11818	16720	13209	18480	14599
122°F	/	/	/	/	/	/
129°F	/	/	/	/	/	/

HEATING PERFORMANCE (BtuH)*

Outdoor Ambient Temperature (DB)	Indoor Entering Air Temperatures					
	68°F DB (20°C)		70°F DB (21.1°C)		80°F DB (26.7°C)	
	57°F WB (13.9°C)		60°F WB (15.6°C)		67°F WB (19.4°C)	
	TC	SHC	TC	SHC	TC	SHC
-31°F	/	/	/	/	/	/
-22°F	10000		9640		9280	
-13°F	10680		10320		9960	
-5°F	11880		11520		11160	
0°F	13560		13200		12840	
5°F	14280		13920		13560	
10°F	14760		14400		14040	
17°F	16360		16000		15640	
20°F	17160		16800		16440	
24°F	19560		19200		18840	
32°F	21480		21120		20760	
41°F	23160		22800		22440	
43°F	24840		24480		24120	
47°F	24302		24000		23794	
53°F	23490		23188		22981	
59°F	22780		22498		22322	
64°F	21662		21460		21153	
70°F	20422		20180		19954	
75°F	19219		18967		18761	
78°F	18665		18230		17928	

* Maximum system capacity

TC- Total Capacity (BtuH)
SHC- Sensible Capacity (BtuH)