

LBG Products®

HVAC expert, provide comfort life at home

SPLIT TYPE 18SEER MINI SPLIT-SILENIGHT SERIES

**Model:
LBH30DS**

Specifications	Unit	Parameter
ODU Model	-	LBH30DSO
IDU Model	-	LBH30DSI
System Ratings		
Cooling Capacity	Btu/h	30,000
Heating Capacity (47°F)	Btu/h	30,000
Heating Capacity (17°F)	Btu/h	16,000
Cooling Capacity Range	Btu/h	4,100-33,100
Heating Capacity Range	Btu/h	7,848-36,000
Cooling Power Input (Max)	W	3,400
Heating Power Input (Max)	W	3,800
SEER	-	18
HSPF	-	9
EER	(Btu/h) /W	10.55
COP	W/W	3.3
Cooling Operation Range	°F(°C)	-4~115(-20~46)
Heating Operation Range	°F(°C)	-13~75(-25~24)
Gas Pipe Size (OD)	Inch	5/8
Liquid Pipe Size (OD)	Inch	1/4
Connection Method	-	Flared
Factory Charge	oz	77.6
Additional Charge	oz/ft.	0.5
Pre-Charge Length	ft.	24.6
MAX Refrigerant Length	ft.	82
Min Refrigerant Pipe Length	ft.	10
MAX Refrigerant Pipe Elevation	ft.	32.8
Indoor Unit Data		
Fan Motor Power Output	W	70
Fan Motor RLA	A	0.55
Air Flow Volume	CFM	824/706/588/441
Sound Pressure Level	dB(A)	55/50/46/37(55/50/46/41)
Cooling Mode (Heating Mode)		
Dehumidification	pt/hr	6.34
Power Supply	-	208/230V / 1Ph / 60Hz
Min/Max Voltage	V	187 - 253
MCA	A	24
MOCP/Breaker Size	A	35
Outdoor Unit Data		
Compressor Type	-	DC Inverter Rotary
Compressor RLA	A	16.9
Refrigerant Type	-	R410A
Fan Motor Power Output	W	92
Fan Motor RLA	A	0.7
Sound Pressure Level	dB(A)	60
Power Supply	-	208/230V / 1Ph / 60Hz
Min/Max Voltage	V	187 - 253
Main Supply Wire Size	-	3.3mm ² (AWG12)
MCA	A	24
MOCP/Breaker Size	A	35



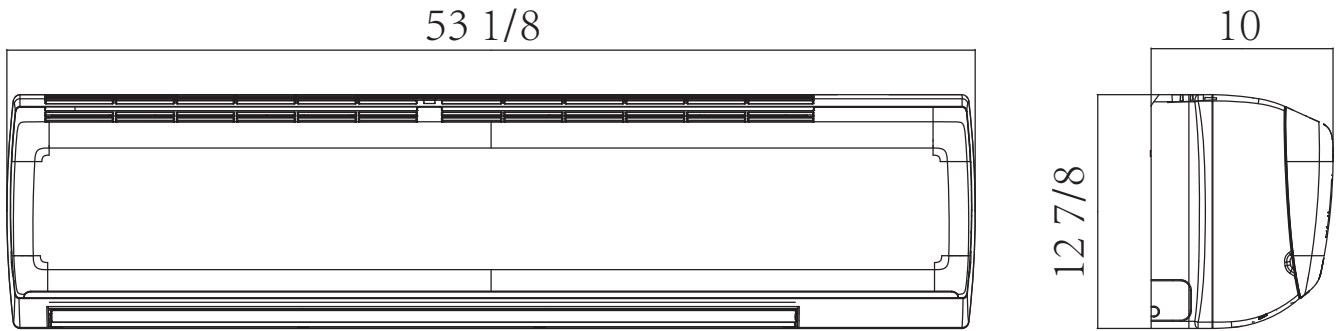
Job Name:

Schedule Reference:

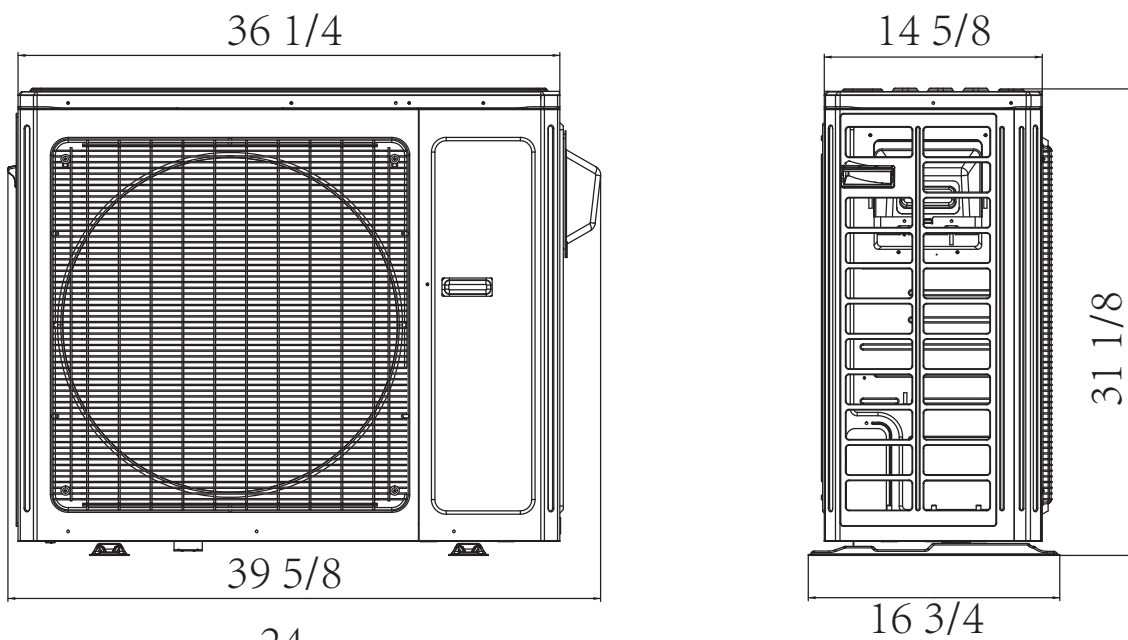
Date:

Specification are subject to change without notice.

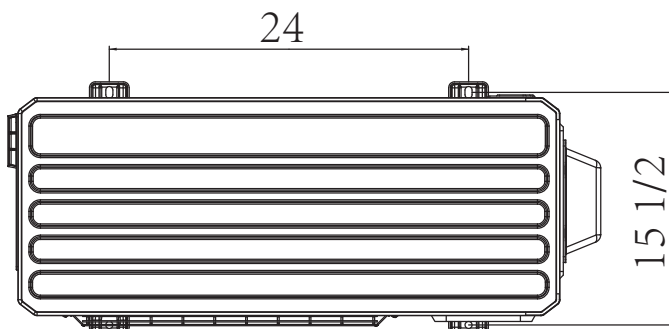
Outline and Physical Dimension of LBH30DS.



Units: inch



Units: inch



Liquid Pipe Valve	1/4 inch
Gas Pipe Valve	5/8 inch

Net Weight IDU	43 lb
Gross Weight IDU	52.9 lb
Net Weight ODU	138.9 lb
Gross Weight ODU	149.9 lb



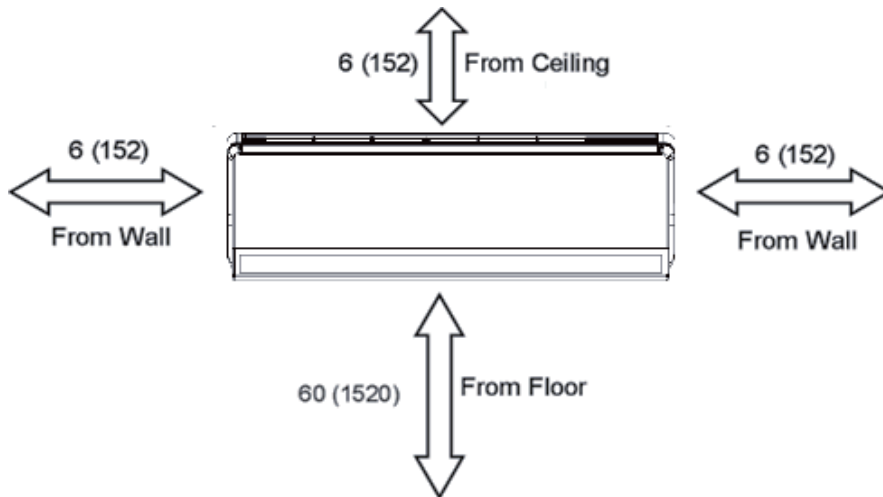
DIMENSIONAL SPECIFICATIONS

LBH30DS

MINIMUM SPACING REQUIREMENTS

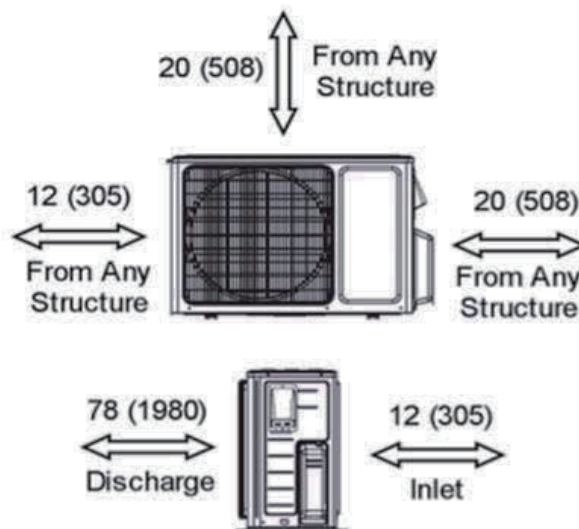
Units: inch (mm)

INDOOR



Units: inch (mm)

OUTDOOR



LBG Products®

HVAC expert, provide comfort life at home

COOLING PERFORMANCE (BtuH)*

Outdoor Ambient Temperature (DB) °F	Indoor Entering Air Temperatures											
	68°F DB (20°C)				74°F DB (23.3°C)				80°F DB (26.7°C)			
	57°F WB (13.9°C)				61°F WB (16.1°C)				67°F WB (19.4°C)			
	TC	SHC	INPUT	EER	TC	SHC	INPUT	EER	TC	SHC	INPUT	EER
0°F	10200	7395	2240	1.33	12600	9135	2357.9	1.57	15000	10875	2482	1.77
5°F	11700	8541	2338.8	1.47	14100	10293	2461.9	1.68	16500	12045	2591.5	1.87
17°F	13200	9702	2437.7	1.59	15600	11466	2566	1.78	18000	13230	2701	1.95
23°F	13800	10212	2536.5	1.59	16200	11988	2670	1.78	18600	13764	2810.5	1.94
32°F	14400	10728	2635.3	1.6	16800	12516	2774	1.77	19200	14304	2920	1.93
41°F	16200	12150	2734.1	1.74	18600	13950	2878	1.89	21000	15750	3029.5	2.03
50°F	18000	13590	2832.9	1.86	20400	15402	2982.1	2	22800	17214	3139	2.13
57°F	19200	14592	2931.8	1.92	21600	16416	3086.1	2.05	24000	18240	3248.5	2.17
67°F	20100	15376.5	3030.6	1.94	22500	17212.5	3190.1	2.07	24900	19048.5	3358	2.17
75°F	25200	19404	3129.4	2.36	27600	21252	3294.1	2.46	30000	23100	3467.5	2.54
86°F	27900	21622.5	3228.2	2.53	30300	23482.5	3398.2	2.61	32700	25342.5	3577	2.68
95°F	25200	19656	3294.1	2.24	27600	21528	3467.5	2.33	30000	23400	3650	2.41
104°F	22200	17427	3623.5	1.8	24600	19311	3814.3	1.89	27000	21195	4015	1.97
113°F	20400	16116	3953	1.51	22800	18012	4161	1.61	25200	19908	4380	1.69
122°F	17400	13833	4124.5	1.24	19800	15741	4343.5	1.34	22200	17649	4489.5	1.45
129°F	13200	10560	4307	0.9	15600	12480	4489.5	1.02	18000	14400	4599	1.15

HEATING PERFORMANCE (BtuH)*

Outdoor Ambient Temperature	Indoor Entering Air Temperatures											
	68°F DB (20°C)				70°F DB (21.1°C)				80°F DB (26.7°C)			
	57°F WB (13.9°C)				60°F WB (15.6°C)				67°F WB (19.4°C)			
	TC	SHC	INPUT	COP	TC	SHC	INPUT	COP	TC	SHC	INPUT	COP
-31°F	/				/				/			
-22°F	11450		2784	1.21	12050		2841	1.24	12650		2897	1.28
-13°F	12300		2841	1.27	12900		2899	1.3	13500		2957	1.34
-5°F	13800		2899	1.4	14400		2958	1.43	15000		3017	1.46
0°F	15900		2958	1.58	16500		3018	1.6	17100		3079	1.63
5°F	16800		3018	1.63	17400		3080	1.66	18000		3141	1.68
10°F	17400		3080	1.66	18000		3143	1.68	18600		3205	1.7
17°F	19400		3143	1.81	20000		3207	1.83	20600		3271	1.85
20°F	20400		3207	1.86	21000		3272	1.88	21600		3338	1.9
24°F	23400		3272	2.1	24000		3339	2.11	24600		3406	2.12
32°F	25800		3339	2.26	26400		3407	2.27	27000		3475	2.28
41°F	27900		3407	2.4	28500		3477	2.4	29100		3546	2.41
43°F	28800		3477	2.43	29400		3548	2.43	30000		3619	2.43
47°F	29400		3548	2.43	30000		3620	2.43	30600		3692	2.43
53°F	29700		3654	2.38	30300		3729	2.38	30900		3803	2.38
59°F	30000		3764	2.34	30600		3840	2.34	31200		3917	2.33
64°F	30900		3877	2.34	31500		3956	2.33	32100		4035	2.33
70°F	31800		3993	2.33	32400		4074	2.33	33000		4156	2.33
75°F	32700		4113	2.33	33300		4197	2.33	33900		4281	2.32
78°F	33900		4236	2.35	34500		4322	2.34	35100		4409	2.33