

SPLIT TYPE // 23SEER MINI SPLIT-AIRBOX SERIES

**Model:
LBH30DW**



Specifications	Unit	Parameter
ODU Model	-	LBH30DWO
IDU Model	-	LBH30DWI
System Ratings		
Cooling Capacity	Btu/h	28,000
Heating Capacity (47°F)	Btu/h	28,400
Heating Capacity (17°F)	Btu/h	19,200
Cooling Capacity Range	Btu/h	9,485-30,026
Heating Capacity Range	Btu/h	9,997-32,994
Cooling Power Input (Max)	W	3,900
Heating Power Input (Max)	W	4,000
SEER	-	18.0
HSPF	-	9.0
EER	(Btu/h) /W	10.35
COP	W/W	2.97
Cooling Operation Range	°F (°C)	0~115 (-18~46)
Heating Operation Range	°F (°C)	-4~75 (-20~24)
Gas Pipe Size (OD)	Inch	5/8
Liquid Pipe Size (OD)	Inch	1/4
Connection Method	-	Flared
Factory Charge	oz	84.7
Additional Charge	oz/ft.	0.5
Pre-Charge Length	ft.	25
MAX Refrigerant Length	ft.	98
Min Refrigerant Pipe Length	ft.	10
MAX Refrigerant Pipe Elevation	ft.	33
Indoor Unit Data		
Fan Motor Power Output	W	70
Fan Motor RLA	A	0.4
Air Flow Volume	CFM	412/706
Sound Pressure Level	dB(A)	37/51
Dehumidication	pt/hr	6.34
Power Supply	-	208/230V / 1Ph / 60Hz
Min/Max Voltage	V	187 - 253
MCA	A	20.0
MOCP/Breaker Size	A	30.0
Outdoor Unit Data		
Compressor Type	-	DC Inverter Rotary
Compressor RLA	A	13.45
Refrigerant Type	-	R410A
Fan Motor Power Output	W	120
Fan Motor RLA	A	0.45
Sound Pressure Level	dB(A)	62
Power Supply	-	208/230V / 1Ph / 60Hz
Min/Max Voltage	V	187 - 253
Main Supply Wire Size	-	3.3mm ² (AWG12)
MCA	A	20.0
MOCP/Breaker Size	A	30.0

Job Name:

Schedule Reference:

Date:

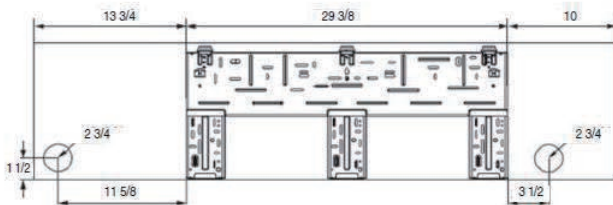
LBG Products®

HVAC expert, provide comfort life at home

Outline and Physical Dimension of LBH30DW.

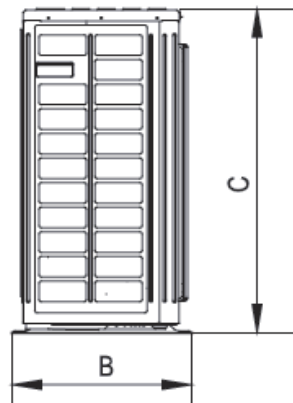
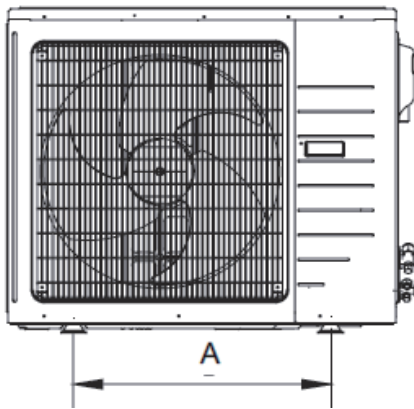


Dimensions	
A	53 1/8
B	12 3/4
C	10



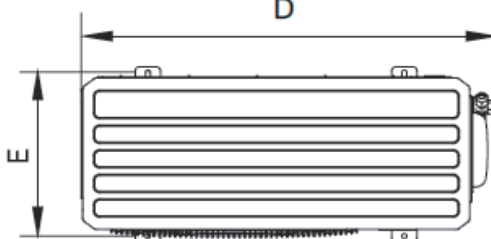
Liquid Line Valve	1/4-in OD Flared
Gas Line Valve	5/8-in OD Flared
Drain Connector	5/8-in OD

Units: inch



Dimensions	
A	24
B	16 3/4
C	31 1/8
D	38 5/8
E	14 1/2

Units: inch



Liquid Line Valve	1/4-in OD Flared
Gas Line Valve	5/8-in OD Flared

Net Weight IDU	41.9lb
Gross Weight IDU	51.8 lb
Net Weight ODU	154.4 lb
Gross Weight ODU	165.4 lb



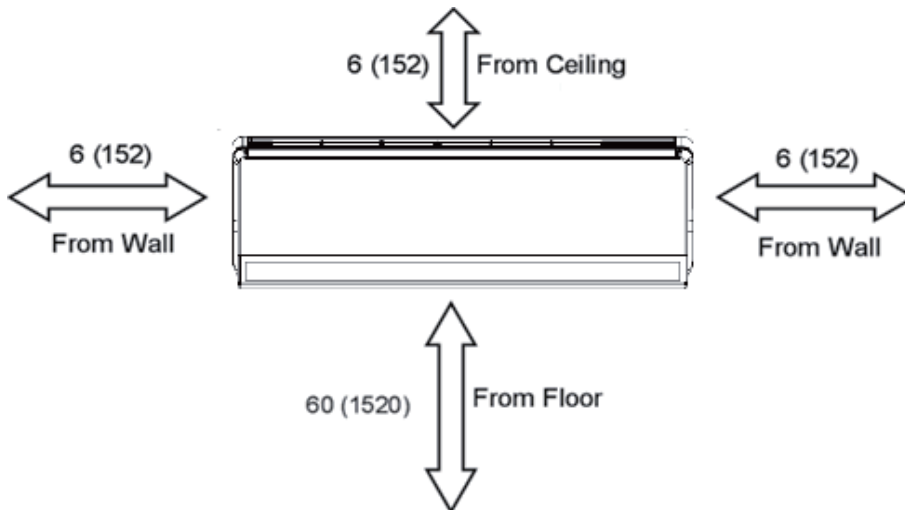
DIMENSIONAL SPECIFICATIONS

LBH30DW

MINIMUM SPACING REQUIREMENTS

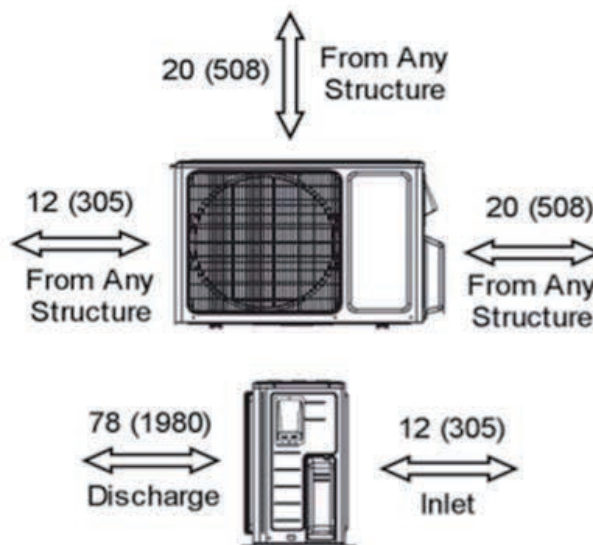
Units: inch (mm)

INDOOR



Units: inch (mm)

OUTDOOR



LBG Products®

HVAC expert, provide comfort life at home

COOLING PERFORMANCE (BtuH)*

Outdoor Ambient DB	Indoor Ambient Temperature							
	68°F DB (20°C)		73°F DB (23°C)		80°F DB (27°C)		82°F DB (28°C)	
	57°F WB (14°C)		61°F WB (16°C)		67°F WB (19°C)		68°F WB (20°C)	
	TC	SHC	TC	SHC	TC	SHC	TC	SHC
5°F	16,626	13,039	17,564	13,770	19,822	15,547	20,120	15,780
14°F	18,288	14,343	19,320	15,147	21,805	17,102	22,132	17,358
23°F	20,037	15,718	21,432	16,811	24,556	19,260	25,047	19,549
32°F	20,838	16,346	22,289	17,484	25,539	20,030	26,049	20,331
41°F	21,672	17,000	23,181	18,183	26,560	20,832	27,091	21,144
50°F	22,539	17,680	24,108	18,910	27,623	21,665	28,175	21,990
59°F	24,298	19,057	25,990	20,383	28,464	22,318	29,034	22,653
68°F	27,518	21,583	29,238	22,928	31,245	24,506	31,870	24,873
77°F	27,194	21,331	28,923	22,686	30,958	24,283	31,577	24,647
86°F	25,856	20,276	27,576	21,631	30,098	23,606	30,700	23,960
95°F	24,470	19,192	26,181	20,528	28,665	22,483	29,238	22,820
104°F	23,286	18,263	24,986	19,599	27,920	21,902	28,478	22,231
113°F	22,091	17,324	23,792	18,660	26,735	20,963	27,270	21,278

HEATING PERFORMANCE (BtuH)*

Outdoor Ambient DB	Indoor Ambient Temperature							
	68°F DB (20°C)		73°F DB (23°C)		80°F DB (27°C)		86°F DB (30°C)	
	57°F WB (14°C)		61°F WB (16°C)		67°F WB (19°C)		72°F WB (22°C)	
	TC	SHC	TC	SHC	TC	SHC	TC	SHC
-4°F	15,986	15,986	15,717	15,717	15,259	15,259	15,083	15,083
0°F	17,322	17,322	17,034	17,034	17,178	17,178	16,332	16,332
6°F	18,274	18,274	17,966	17,966	18,126	18,126	17,226	17,226
10°F	19,033	19,033	18,716	18,716	18,878	18,878	17,947	17,947
16°F	19,610	19,610	19,283	19,283	19,441	19,441	18,485	18,485
19°F	19,985	19,985	19,658	19,658	19,816	19,816	18,841	18,841
24°F	22,234	22,234	21,898	21,898	22,129	22,129	21,091	21,091
32°F	24,849	24,849	24,513	24,513	24,817	24,817	23,705	23,705
41°F	27,839	27,839	27,512	27,512	27,891	27,891	26,695	26,695
43°F	28,589	28,589	28,252	28,252	28,662	28,662	27,445	27,445
47°F	31,069	31,069	30,530	30,530	30,757	30,757	29,204	29,204
53°F	31,376	31,376	30,828	30,828	31,064	31,064	29,492	29,492
59°F	32,097	32,097	31,530	31,530	31,766	31,766	30,165	30,165
64°F	32,780	32,780	32,203	32,203	32,448	32,448	30,809	30,809
70°F	33,395	33,395	32,818	32,818	33,060	33,060	31,395	31,395
75°F	33,866	33,866	33,270	33,270	33,525	33,525	31,828	31,828

* Maximum system capacity

TC- Total Capacity (BtuH)

SHC- Sensible Capacity (BtuH)