

SPLIT TYPE // 18SEER MINI SPLIT-SILENIGHT SERIES

Specifications	Unit	Parameter
ODU Model	-	LBH36DSO
IDU Model	-	LBH36DSI
System Ratings		
Cooling Capacity	Btu/h	33,600
Heating Capacity (47°F)	Btu/h	34,600
Heating Capacity (17°F)	Btu/h	22,600
Cooling Capacity Range	Btu/h	5,951-36,000
Heating Capacity Range	Btu/h	8,530-37,020
Cooling Power Input (Max)	W	3,900
Heating Power Input (Max)	W	4,200
SEER	-	18
HSPF	-	9
EER	(Btu/h) /W	9.21
COP	W/W	2.8
Cooling Operation Range	°F (°C)	-4~115(-20~46)
Heating Operation Range	°F (°C)	-13~75(-25~24)
Gas Pipe Size (OD)	Inch	5/8
Liquid Pipe Size (OD)	Inch	1/4
Connection Method	-	Flared
Factory Charge	oz	88.2
Additional Charge	oz/ft.	0.5
Pre-Charge Length	ft.	24.6
MAX Refrigerant Length	ft.	82
Min Refrigerant Pipe Length	ft.	10
MAX Refrigerant Pipe Elevation	ft.	32.8
Indoor Unit Data		
Fan Motor Power Output	W	70
Fan Motor RLA	A	0.55
Air Flow Volume	CFM	824/706/588/441
Sound Pressure Level	dB(A)	55/50/46/37(55/50/46/41)
Cooling Mode (Heating Mode)		
Dehumidification	pt/hr	7.4
Power Supply	-	208/230V / 1Ph / 60Hz
Min/Max Voltage	V	187 - 253
MCA	A	24
MOCP/Breaker Size	A	35
Outdoor Unit Data		
Compressor Type	-	DC Inverter Rotary
Compressor RLA	A	16.9
Refrigerant Type	-	R410A
Fan Motor Power Output	W	92
Fan Motor RLA	A	0.7
Sound Pressure Level	dB(A)	61
Power Supply	-	208/230V / 1Ph / 60Hz
Min/Max Voltage	V	187 - 253
Main Supply Wire Size	-	3.3mm ² (AWG12)
MCA	A	24
MOCP/Breaker Size	A	35

**Model:
LBH36DS**

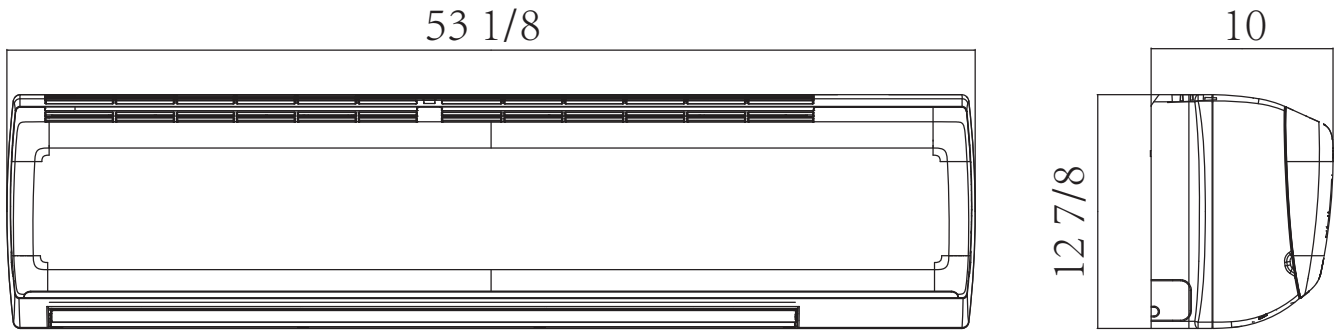


Job Name:

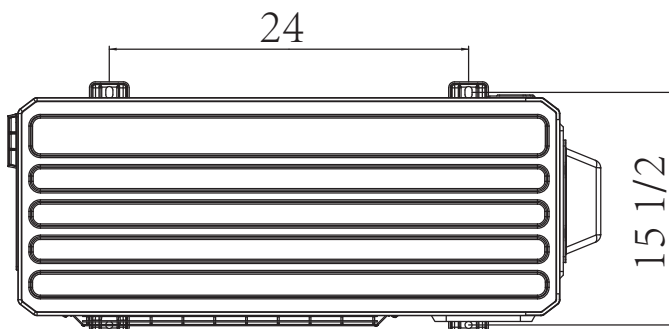
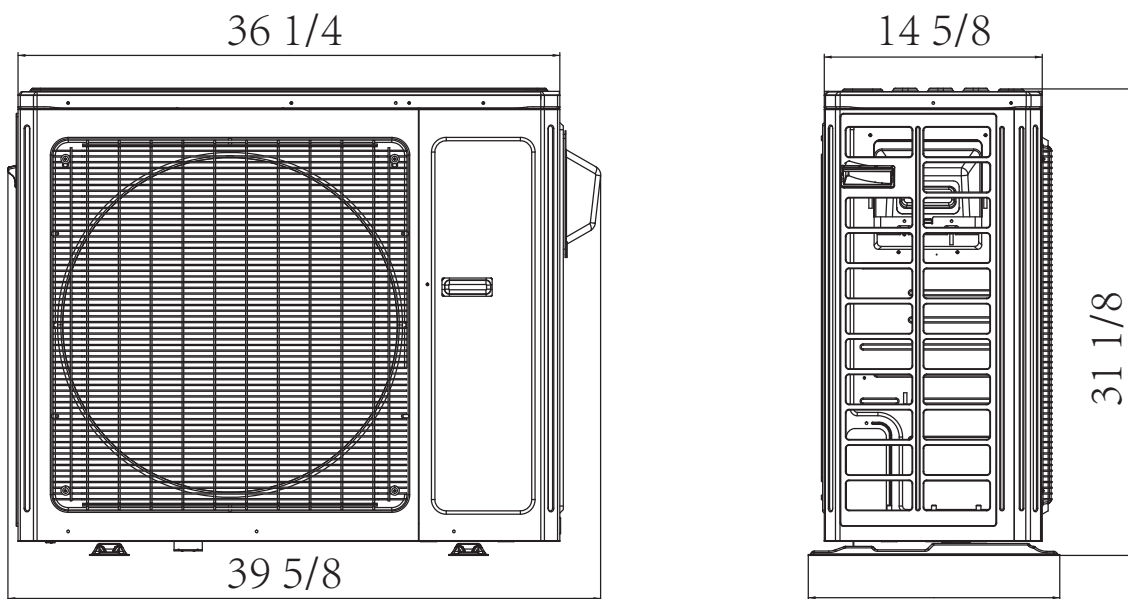
Schedule Reference:

Date:

Outline and Physical Dimension of LBH36DS.



Units: inch



Units: inch

Liquid Pipe Valve	1/4 inch
Gas Pipe Valve	5/8 inch

Net Weight IDU	44.1 lb
Gross Weight IDU	54 lb
Net Weight ODU	140 lb
Gross Weight ODU	151 lb



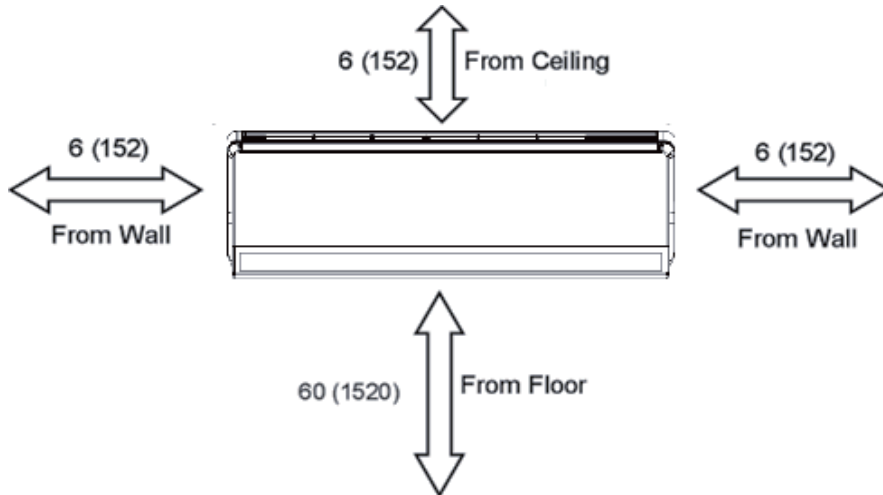
DIMENSIONAL SPECIFICATIONS

LBH36DS

MINIMUM SPACING REQUIREMENTS

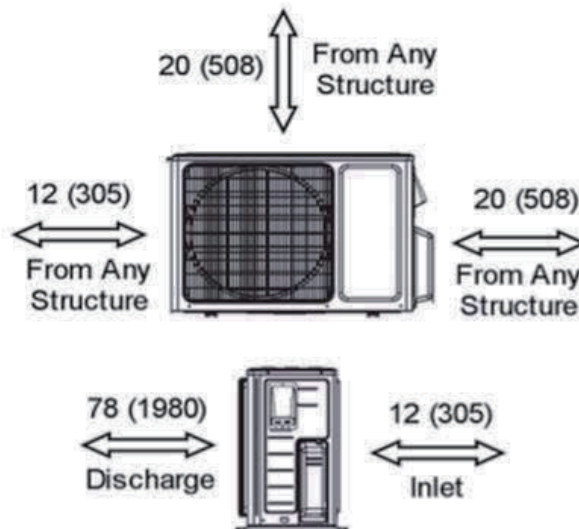
Units: inch (mm)

INDOOR



Units: inch (mm)

OUTDOOR



LBG Products®

HVAC expert, provide comfort life at home

COOLING PERFORMANCE (BtuH)*

Outdoor Ambient Temperature (DB) °F	Indoor Entering Air Temperatures											
	68F DB (20°C)				74°F DB (23.3°C)				80°F DB (26.7°C)			
	57F WB (13.9°C)				61°F WB (16.1°C)				67°F WB (19.4°C)			
	TC	SHC	INPUT	EER	TC	SHC	INPUT	EER	TC	SHC	INPUT	EER
0°F	11424	8282.4	2240	1.49	14112	10231.2	2357.9	1.75	16800	12180	2482	1.98
5°F	13104	9565.9	2338.8	1.64	15792	11528.2	2461.9	1.88	18480	13490.4	2591.5	2.09
17°F	14784	10866.2	2437.7	1.78	17472	12841.9	2566	2	20160	14817.6	2701	2.19
23°F	15456	11437.4	2536.5	1.79	18144	13426.6	2670	1.99	20832	15415.7	2810.5	2.17
32°F	16128	12015.4	2635.3	1.79	18816	14017.9	2774	1.99	21504	16020.5	2920	2.16
41°F	18144	13608	2734.1	1.94	20832	15624	2878	2.12	23520	17640	3029.5	2.28
50°F	20160	15220.8	2832.9	2.09	22848	17250.2	2982.1	2.25	25536	19279.7	3139	2.38
57°F	21504	16343	2931.8	2.15	24192	18385.9	3086.1	2.3	26880	20428.8	3248.5	2.43
67°F	22512	17221.7	3030.6	2.18	25200	19278	3190.1	2.32	27888	21334.3	3358	2.43
75°F	28224	21732.5	3129.4	2.64	30912	23802.2	3294.1	2.75	33600	25872	3467.5	2.84
86°F	31248	24217.2	3228.2	2.84	33936	26300.4	3398.2	2.93	36624	28383.6	3577	3
95°F	28224	22014.7	3294.1	2.51	30912	24111.4	3467.5	2.61	33600	26208	3650	2.7
104°F	24864	19518.2	3623.5	2.01	27552	21628.3	3814.3	2.12	30240	23738.4	4015	2.21
113°F	22848	18049.9	3953	1.69	25536	20173.4	4161	1.8	28224	22297	4380	1.89
122°F	19488	15493	4124.5	1.38	22176	17629.9	4343.5	1.5	24864	19766.9	4489.5	1.62
129°F	14784	11827.2	4307	1.01	17472	13977.6	4489.5	1.14	20160	16128	4599	1.28

HEATING PERFORMANCE (BtuH)*

Outdoor Ambient Temperature	Indoor Entering Air Temperatures											
	68°F DB (20°C)				70°F DB (21.1°C)				80°F DB (26.7°C)			
	57°F WB (13.9°C)				60°F WB (15.6°C)				67°F WB (19.4°C)			
	TC	SHC	INPUT	COP	TC	SHC	INPUT	COP	TC	SHC	INPUT	COP
-31°F	/				/				/			
-22°F	13206		2784	1.39	13898		2841	1.43	14590		2897	1.48
-13°F	14186		2841	1.46	14878		2899	1.5	15570		2957	1.54
-5°F	15916		2899	1.61	16608		2958	1.65	17300		3017	1.68
0°F	18338		2958	1.82	19030		3018	1.85	19722		3079	1.88
5°F	19376		3018	1.88	20068		3080	1.91	20760		3141	1.94
10°F	20068		3080	1.91	20760		3143	1.94	21452		3205	1.96
17°F	22375		3143	2.09	23067		3207	2.11	23759		3271	2.13
20°F	23528		3207	2.15	24220		3272	2.17	24912		3338	2.19
24°F	26988		3272	2.42	27680		3339	2.43	28372		3406	2.44
32°F	29756		3339	2.61	30448		3407	2.62	31140		3475	2.63
41°F	32178		3407	2.77	32870		3477	2.77	33562		3546	2.77
43°F	33216		3477	2.8	33908		3548	2.8	34600		3619	2.8
47°F	33908		3548	2.8	34600		3620	2.8	35292		3692	2.8
53°F	34254		3654	2.75	34946		3729	2.75	35638		3803	2.75
59°F	34600		3764	2.69	35292		3840	2.69	35984		3917	2.69
64°F	35638		3877	2.69	36330		3956	2.69	37022		4035	2.69
70°F	36676		3993	2.69	37368		4074	2.69	38060		4156	2.68
75°F	37714		4113	2.69	38406		4197	2.68	39098		4281	2.68
78°F	39098		4236	2.71	39790		4322	2.7	40482		4409	2.69