

LBG Products®

HVAC expert, provide comfort life at home

SPLIT TYPE

23SEER MINI SPLIT-AIRBOX SERIES

**Model:
LBH36DW**

Specifications	Unit	Parameter
ODU Model	-	LBH36DWO
IDU Model	-	LBH36DWI
System Ratings		
Cooling Capacity	Btu/h	33,600
Heating Capacity (47°F)	Btu/h	34,600
Heating Capacity (17°F)	Btu/h	20,200
Cooling Capacity Range	Btu/h	7,404-35,997
Heating Capacity Range	Btu/h	14,979-35,997
Cooling Power Input (Max)	W	4,300
Heating Power Input (Max)	W	4,300
SEER	-	18.0
HSPF	-	9.0
EER	(Btu/h) /W	8.2
COP	W/W	2.67
Cooling Operation Range	°F (°C)	0~115 (-18~46)
Heating Operation Range	°F (°C)	-4~75 (-20~24)
Gas Pipe Size (OD)	Inch	5/8
Liquid Pipe Size (OD)	Inch	1/4
Connection Method	-	Flared
Factory Charge	oz	91.7
Additional Charge	oz/ft.	0.5
Pre-Charge Length	ft.	25
MAX Refrigerant Length	ft.	98
Min Refrigerant Pipe Length	ft.	10
MAX Refrigerant Pipe Elevation	ft.	33
Indoor Unit Data		
Fan Motor Power Output	W	70
Fan Motor RLA	A	0.4
Air Flow Volume	CFM	412/736
Sound Pressure Level	dB(A)	37/54
Dehumidication	pt/hr	7.40
Power Supply	-	208/230V / 1Ph / 60Hz
Min/Max Voltage	V	187 - 253
MCA	A	24.0
MOCP/Breaker Size	A	40.0
Outdoor Unit Data		
Compressor Type	-	DC Inverter Rotary
Compressor RLA	A	17.50
Refrigerant Type	-	R410A
Fan Motor Power Output	W	170
Fan Motor RLA	A	0.73
Sound Pressure Level	dB(A)	65
Power Supply	-	208/230V / 1Ph / 60Hz
Min/Max Voltage	V	187 - 253
Main Supply Wire Size	-	3.3mm ² (AWG12)
MCA	A	24.0
MOCP/Breaker Size	A	40.0



Job Name:

Schedule Reference:

Date:

Specification are subject to change without notice.

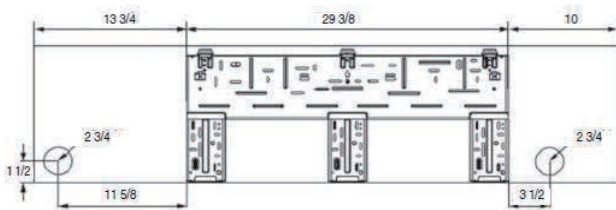
LBG Products®

HVAC expert, provide comfort life at home

Outline and Physical Dimension of LBH36DW.

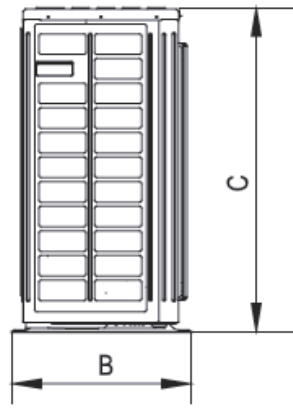
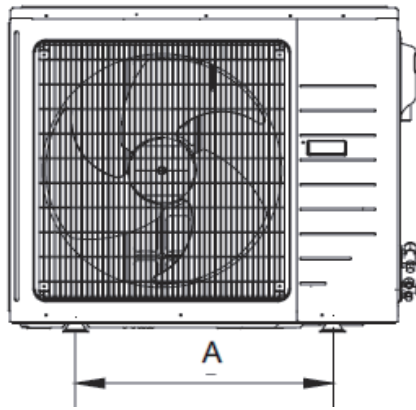


Dimensions	
A	53 1/8
B	12 3/4
C	10



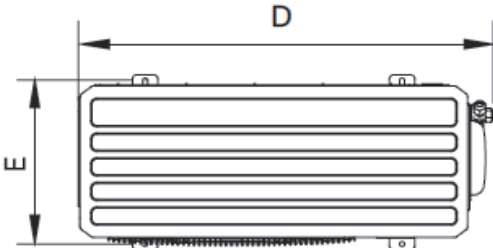
Liquid Line Valve	1/4-in OD Flared
Gas Line Valve	5/8-in OD Flared
Drain Connector	5/8-in OD

Units: inch



Dimensions	
A	24
B	16 3/4
C	31 1/8
D	38 5/8
E	14 1/2

Units: inch



Liquid Line Valve	1/4-in OD Flared
Gas Line Valve	5/8-in OD Flared

Net Weight IDU	41.9lb
Gross Weight IDU	51.8 lb
Net Weight ODU	161.0 lb
Gross Weight ODU	172.0 lb



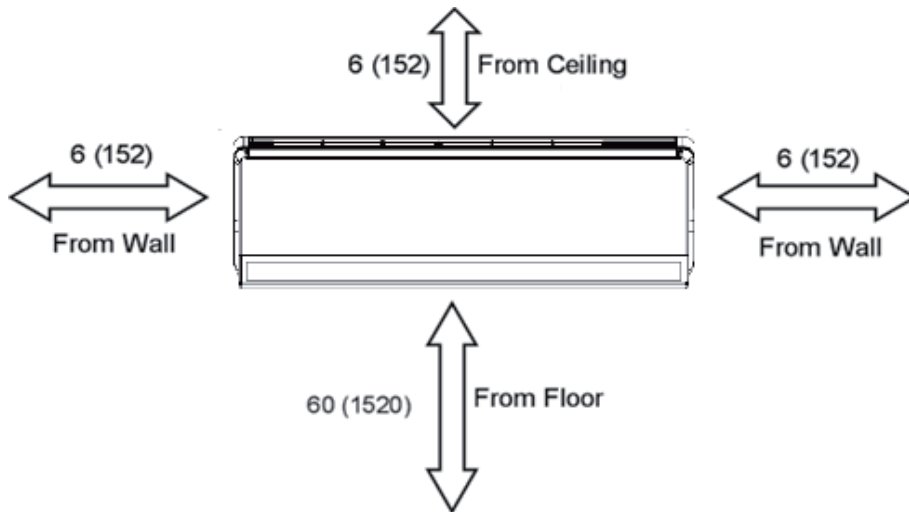
DIMENSIONAL SPECIFICATIONS

LBH36DW

MINIMUM SPACING REQUIREMENTS

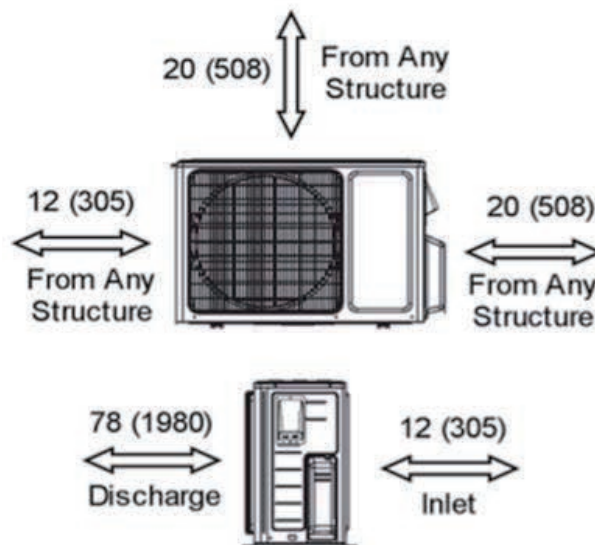
Units: inch (mm)

INDOOR



Units: inch (mm)

OUTDOOR



LBG Products®

HVAC expert, provide comfort life at home

COOLING PERFORMANCE (BtuH)*

Outdoor Ambient DB	Indoor Ambient Temperature							
	68°F DB (20°C)		73°F DB (23°C)		80°F DB (27°C)		82°F DB (28°C)	
	57°F WB (14°C)		61°F WB (16°C)		67°F WB (19°C)		68°F WB (20°C)	
	TC	SHC	TC	SHC	TC	SHC	TC	SHC
5°F	19,555	15,337	20,658	16,196	23,315	18,286	23,665	18,561
14°F	20,803	16,316	21,977	17,230	24,803	19,454	25,175	19,745
23°F	22,792	17,879	24,379	19,123	27,933	21,909	28,352	22,237
32°F	23,932	18,773	25,598	20,079	29,330	23,004	29,770	23,349
41°F	25,129	19,712	26,878	21,083	30,796	24,154	31,258	24,517
50°F	26,385	20,697	28,222	22,138	32,336	25,362	32,821	25,742
59°F	27,640	21,677	29,564	23,186	32,379	25,388	32,864	25,769
68°F	31,303	24,551	33,259	26,081	35,542	27,876	36,075	28,294
77°F	30,933	24,265	32,900	25,806	35,216	27,622	35,744	28,037
86°F	29,412	23,065	31,368	24,606	34,237	26,852	34,751	27,255
95°F	27,836	21,832	29,781	23,351	32,607	25,575	33,096	25,958
104°F	26,488	20,775	28,422	22,294	31,759	24,914	32,236	25,288
113°F	25,129	19,707	27,064	21,226	30,411	23,846	30,868	24,204

HEATING PERFORMANCE (BtuH)*

Outdoor Ambient DB	Indoor Ambient Temperature							
	68°F DB (20°C)		73°F DB (23°C)		80°F DB (27°C)		86°F DB (30°C)	
	57°F WB (14°C)		61°F WB (16°C)		67°F WB (19°C)		72°F WB (22°C)	
	TC	SHC	TC	SHC	TC	SHC	TC	SHC
-4°F	17,515	17,515	17,220	17,220	16,718	16,718	16,525	16,525
0°F	18,979	18,979	18,663	18,663	18,104	18,104	17,894	17,894
6°F	20,022	20,022	19,685	19,685	19,104	19,104	18,874	18,874
10°F	20,854	20,854	20,506	20,506	19,895	19,895	19,664	19,664
16°F	21,486	21,486	21,128	21,128	20,489	20,489	20,253	20,253
19°F	21,896	21,896	21,538	21,538	20,885	20,885	20,643	20,643
24°F	24,361	24,361	23,992	23,992	23,322	23,322	23,108	23,108
32°F	27,226	27,226	26,857	26,857	26,156	26,156	25,972	25,972
41°F	30,501	30,501	30,143	30,143	29,395	29,395	29,248	29,248
43°F	31,323	31,323	30,954	30,954	30,208	30,208	30,069	30,069
47°F	34,040	34,040	33,450	33,450	32,416	32,416	31,997	31,997
53°F	34,377	34,377	33,777	33,777	32,739	32,739	32,313	32,313
59°F	35,167	35,167	34,546	34,546	33,478	33,478	33,050	33,050
64°F	35,915	35,915	35,283	35,283	34,197	34,197	33,756	33,756
70°F	36,589	36,589	35,957	35,957	34,843	34,843	34,398	34,398
75°F	37,105	37,105	36,452	36,452	35,333	35,333	34,872	34,872

* Maximum system capacity

TC- Total Capacity (BtuH)

SHC- Sensible Capacity (BtuH)