

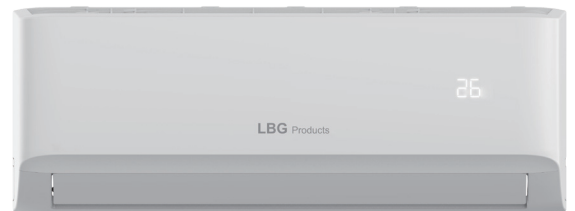
# LBG Products®

HVAC expert, provide comfort life at home

## SPLIT TYPE 21SEER MINI SPLIT AIRBOX SERIES

**Model:  
LBH09AT**

Specifications	Unit	Parameter
ODU Model	-	LBH09ATO
IDU Model	-	LBH09ATI
<b>System Ratings</b>		
Cooling Capacity	Btu/h	9,000
Heating Capacity (47°F)	Btu/h	10,000
Heating Capacity (17°F)	Btu/h	6,000
Cooling Capacity Range	Btu/h	2,650-10,300
Heating Capacity Range	Btu/h	2,700-10,500
Cooling Power Input (Max)	W	725
Heating Power Input (Max)	W	900
SEER	-	21.5
HSPF	-	10.3
EER	(Btu/h) /W	12.5
COP	W/W	3.26
Cooling Operation Range	°F (°C)	5~122 (-15 ~ 50)
Heating Operation Range	°F (°C)	5~75 (-15 ~ 24)
Gas Pipe Size (OD)	Inch	3/8"
Liquid Pipe Size (OD)	Inch	1/4"
Connection Method	-	Flared
Factory Charge	oz	25.40
Additional Charge	oz/ft.	0.16
Pre-Charge Length	ft.	24.6
MAX Refrigerant Length	ft.	82.02
Min Refrigerant Pipe Length	ft.	9.8
MAX Refrigerant Pipe Elevation	ft.	32.81
<b>Indoor Unit Data</b>		
Fan Motor Power Output	W	20
Fan Motor RLA	A	0.15
Air Flow Volume (Hi/Mi/Lo)	CFM	238.82/170.00/137.06
Sound Pressure Level (Hi/Mi/Lo)	dB(A)	37.5/28/20
Power Supply	-	115V / 1Ph / 60Hz
Min/Max Voltage	V	103.5-126.5
MCA	A	3
MOCP/Breaker Size	A	15
<b>Outdoor Unit Data</b>		
Compressor Type	-	ROTARY
Compressor RLA	A	14
Refrigerant Type	-	R410A
Fan Motor Power Output	W	34
Fan Motor RLA	A	0.32
Sound Pressure Level	dB(A)	55
Power Supply	-	115V / 1Ph / 60Hz
Min/Max Voltage	V	103.5-126.5
Connection wiring	-	16*4 AWG
MCA	A	20
MOCP/Breaker Size	A	30



Job Name:

Schedule Reference:

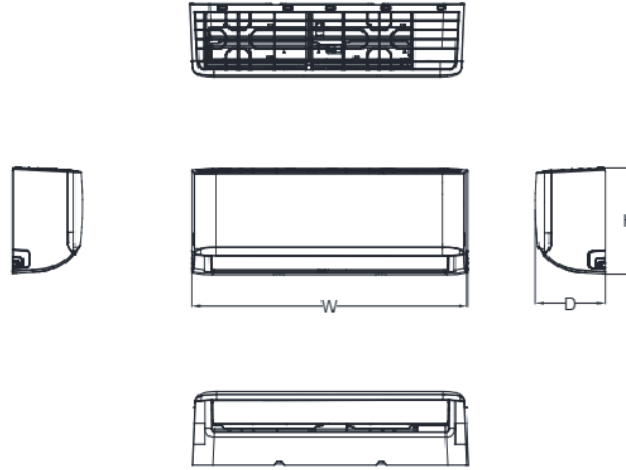
Date:

Specification are subject to change without notice.

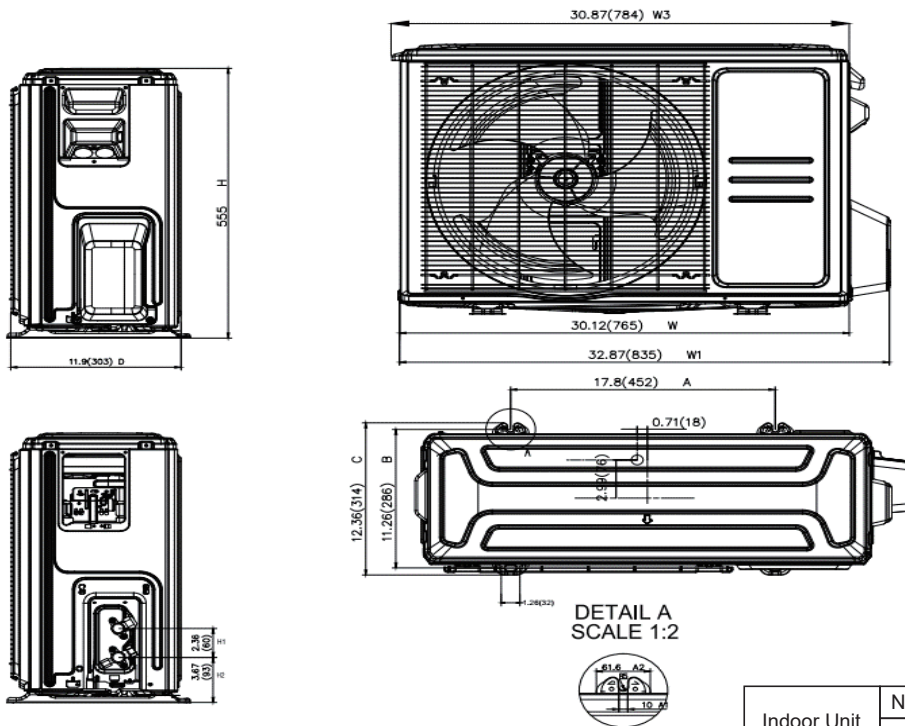
# LBG Products®

HVAC expert, provide comfort life at home

## Outline and Physical Dimension of LBH09AT.



W(mm/inch)	D(mm/inch)	H(mm/inch)
729/28.7	200/7.87	292/11.5



Units: inch (mm)

Indoor Unit	Net/Gross weight	kg	8.0/10.3
	Net/Gross weight	lb	17.64/22.71
Outdoor Unit	Net/Gross weight	kg	26.2/28.8
	Net/Gross weight	lb	57.76/63.49

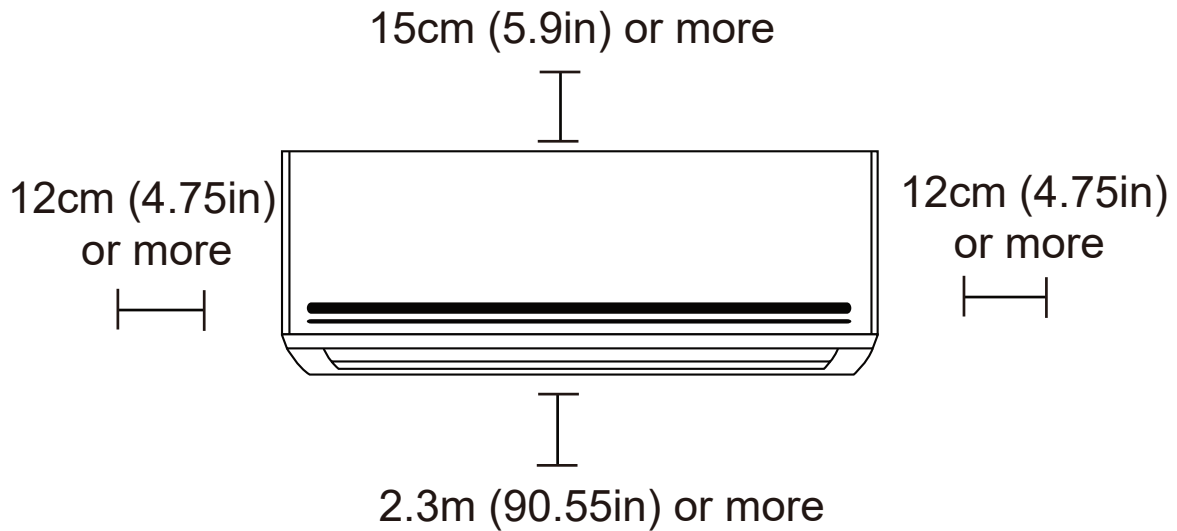


## DIMENSIONAL SPECIFICATIONS

LBH09AT

### MINIMUM SPACING REQUIREMENTS

#### INDOOR



#### OUTDOOR

