

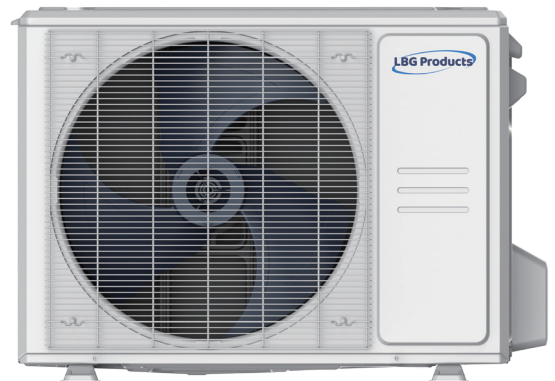
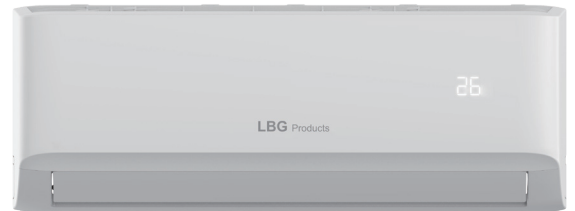
LBG Products®

HVAC expert, provide comfort life at home

SPLIT TYPE // 21SEER MINI SPLIT AIRBOX SERIES

**Model:
LBH12DT**

Specifications	Unit	Parameter
ODU Model	-	LBH12DTO
IDU Model	-	LBH12DTI
System Ratings		
Cooling Capacity	Btu/h	12,000
Heating Capacity (47°F)	Btu/h	12,000
Heating Capacity (17°F)	Btu/h	9,000
Cooling Capacity Range	Btu/h	3,800-13,350
Heating Capacity Range	Btu/h	2,730-13,900
Cooling Power Input (Max)	W	1,111
Heating Power Input (Max)	W	1,039
SEER	-	20.5
HSPF	-	10.7
EER	(Btu/h) /W	10.8
COP	W/W	3.38
Cooling Operation Range	°F (°C)	5~122 (-15 ~ 50)
Heating Operation Range	°F (°C)	5~75 (-15 ~ 24)
Gas Pipe Size (OD)	Inch	1/2"
Liquid Pipe Size (OD)	Inch	1/4"
Connection Method	-	Flared
Factory Charge	oz	28.60
Additional Charge	oz/ft.	0.16
Pre-Charge Length	ft.	24.6
MAX Refrigerant Length	ft.	82.02
Min Refrigerant Pipe Length	ft.	9.8
MAX Refrigerant Pipe Elevation	ft.	32.81
Indoor Unit Data		
Fan Motor Power Output	W	13
Fan Motor RLA	A	0.63
Air Flow Volume (Hi/Mi/Lo)	CFM	291.18/197.06/155.88
Sound Pressure Level (Hi/Mi/Lo)	dB(A)	41/35/24
Power Supply	-	208/230V / 1Ph / 60Hz
Min/Max Voltage	V	187-253
MCA	A	3
MOCP/Breaker Size	A	15
Outdoor Unit Data		
Compressor Type	-	ROTARY
Compressor RLA	A	7.5
Refrigerant Type	-	R410A
Fan Motor Power Output	W	34
Fan Motor RLA	A	0.65
Sound Pressure Level	dB(A)	53.5
Power Supply	-	208/230V / 1Ph / 60Hz
Min/Max Voltage	V	187-253
Connection wiring	-	16*4 AWG
MCA	A	15
MOCP/Breaker Size	A	15



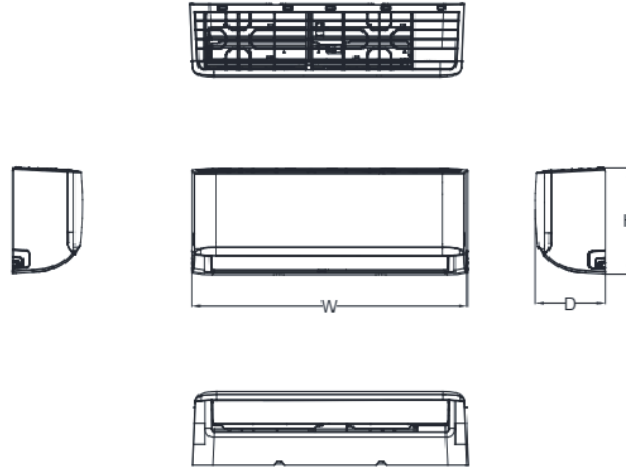
Job Name:

Schedule Reference:

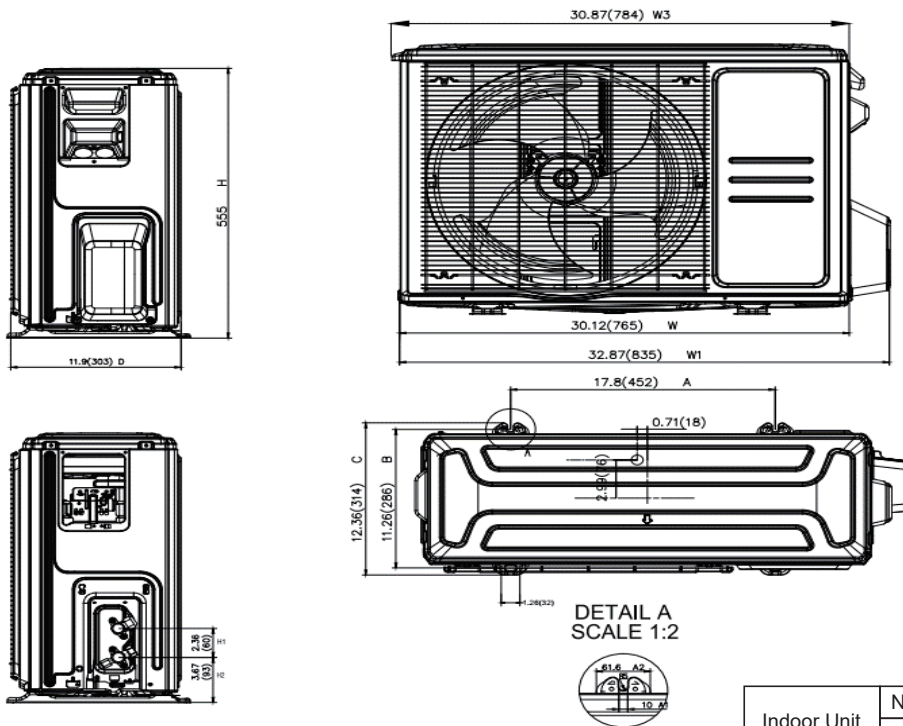
Date:

Specification are subject to change without notice.

Outline and Physical Dimension of LBH12DT.



W(mm/inch)	D(mm/inch)	H(mm/inch)
802/31.57	200/7.87	295/11.61



Units: inch (mm)

Indoor Unit	Net/Gross weight	kg	8.5/10.9
	Net/Gross weight	lb	18.74/24.03
Outdoor Unit	Net/Gross weight	kg	26.9/29.4
	Net/Gross weight	lb	59.30/64.82

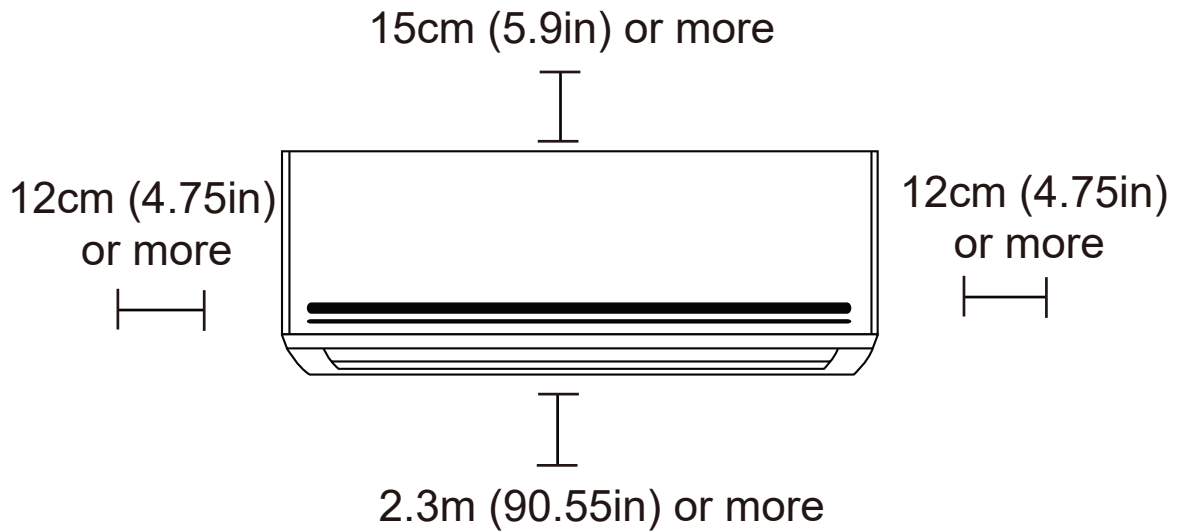


DIMENSIONAL SPECIFICATIONS

LBH12DT

MINIMUM SPACING REQUIREMENTS

INDOOR



OUTDOOR

