

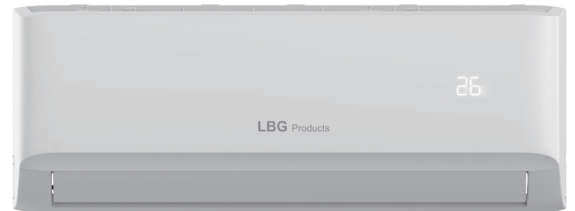
LBG Products®

HVAC expert, provide comfort life at home

SPLIT TYPE 21SEER MINI SPLIT AIRBOX SERIES

**Model:
LBH24DT**

Specifications	Unit	Parameter
ODU Model	-	LBH24DTO
IDU Model	-	LBH24DTI
System Ratings		
Cooling Capacity	Btu/h	24,000
Heating Capacity (47°F)	Btu/h	24,000
Heating Capacity (17°F)	Btu/h	14,800
Cooling Capacity Range	Btu/h	6,200-24,600
Heating Capacity Range	Btu/h	6,800-26,800
Cooling Power Input (Max)	W	2,520
Heating Power Input (Max)	W	2,320
SEER	-	18.5
HSPF	-	10.2
EER	(Btu/h) /W	9.5
COP	W/W	3.03
Cooling Operation Range	°F(°C)	5~122 (-15 ~ 50)
Heating Operation Range	°F(°C)	5~75 (-15 ~ 24)
Gas Pipe Size (OD)	Inch	5/8"
Liquid Pipe Size (OD)	Inch	3/8"
Connection Method	-	Flared
Factory Charge	oz	62.80
Additional Charge	oz/ft.	0.32
Pre-Charge Length	ft.	24.6
MAX Refrigerant Length	ft.	164.04
Min Refrigerant Pipe Length	ft.	9.8
MAX Refrigerant Pipe Elevation	ft.	82.02
Indoor Unit Data		
Fan Motor Power Output	W	58
Fan Motor RLA	A	0.27
Air Flow Volume (Hi/Mi/Lo)	CFM	546.47/402.35/330.59
Sound Pressure Level (Hi/Mi/Lo)	dB(A)	45/39.5/36
Power Supply	-	208/230V / 1Ph / 60Hz
Min/Max Voltage	V	187-253
MCA	A	3
MOCP/Breaker Size	A	15
Outdoor Unit Data		
Compressor Type	-	Twin-ROTARY
Compressor RLA	A	14.25
Refrigerant Type	-	R410A
Fan Motor Power Output	W	80
Fan Motor RLA	A	0.76
Sound Pressure Level	dB(A)	60
Power Supply	-	208/230V / 1Ph / 60Hz
Min/Max Voltage	V	187-253
Connection wiring	-	16*4 AWG
MCA	A	19
MOCP/Breaker Size	A	30



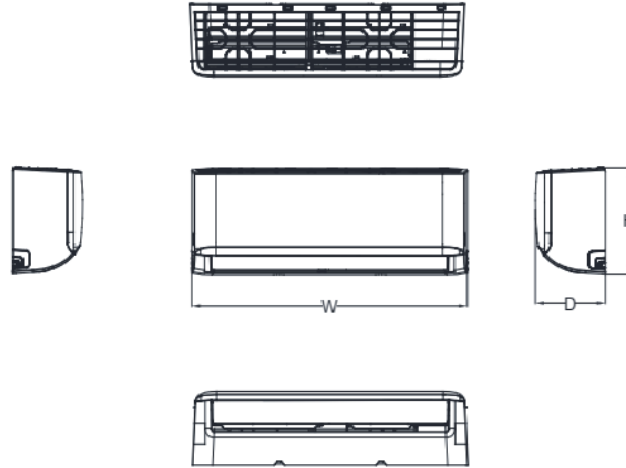
Job Name:

Schedule Reference:

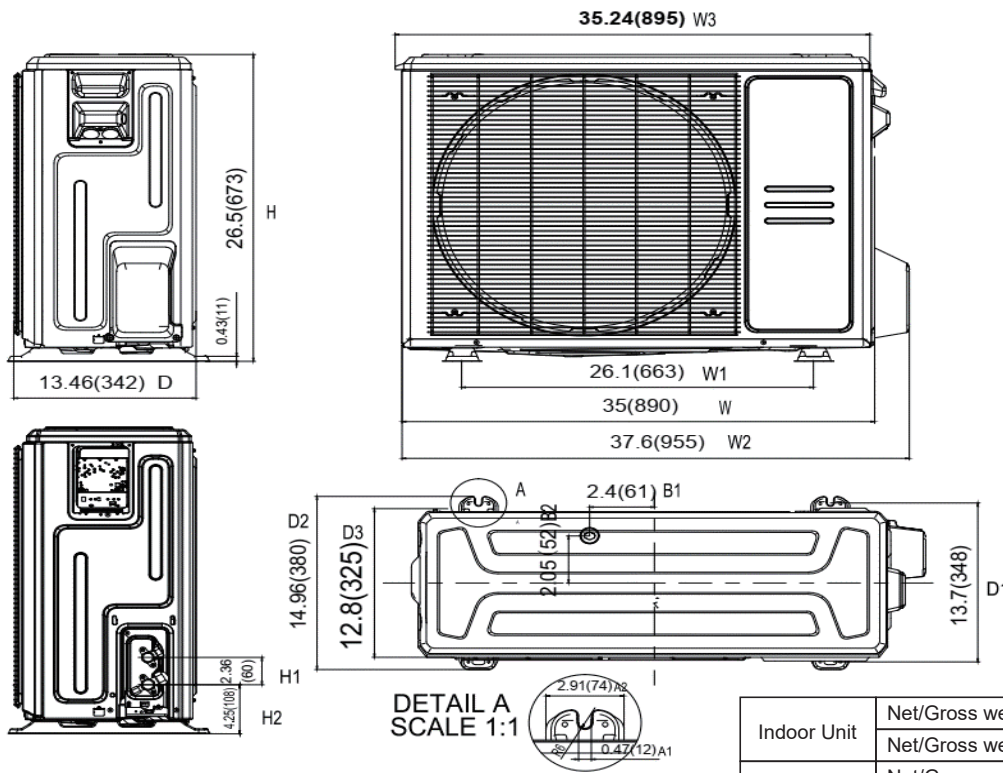
Date:

Specification are subject to change without notice.

Outline and Physical Dimension of LBH24DT.



W(mm/inch)	D(mm/inch)	H(mm/inch)
1082/42.6	234/9.21	337/13.27



Units: inch (mm)

Indoor Unit	Net/Gross weight	kg	13.6/17.3
	Net/Gross weight	lb	29.98/38.14
Outdoor Unit	Net/Gross weight	kg	44.4/47.4
	Net/Gross weight	lb	97.88/104.50

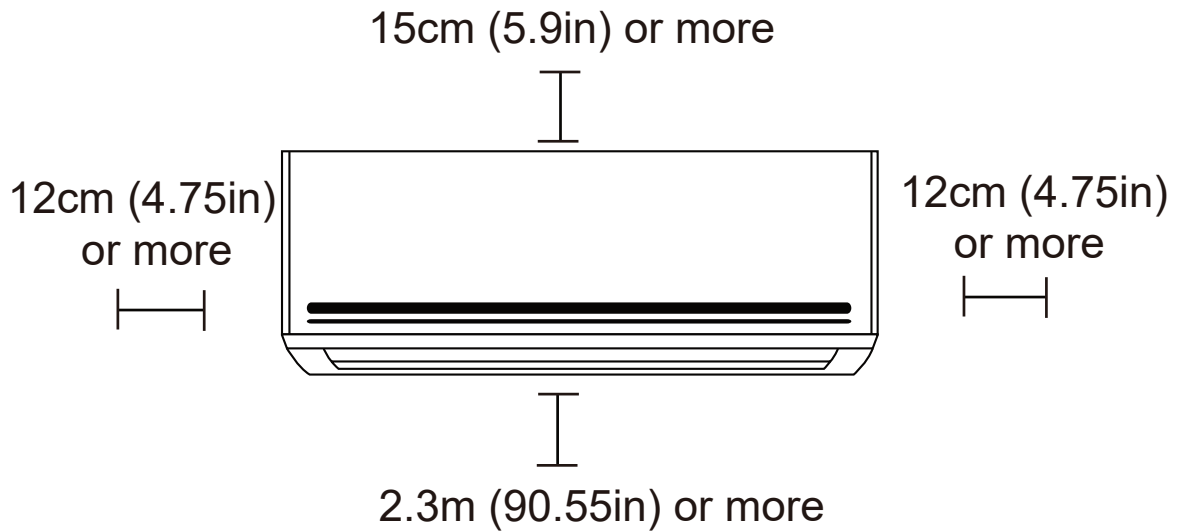


DIMENSIONAL SPECIFICATIONS

LBH24DT

MINIMUM SPACING REQUIREMENTS

INDOOR



OUTDOOR

