

SPLIT TYPE 21SEER MINI SPLIT AIRBOX SERIES

**Model:
LBH30DT**

| Specifications | Unit | Parameter |
|---------------------------------|------------|-----------------------|
| ODU Model | - | LBH30DTO |
| IDU Model | - | LBH30DTI |
| System Ratings | | |
| Cooling Capacity | Btu/h | 30,000 |
| Heating Capacity (47°F) | Btu/h | 30,000 |
| Heating Capacity (17°F) | Btu/h | 18,400 |
| Cooling Capacity Range | Btu/h | 7,200-31,600 |
| Heating Capacity Range | Btu/h | 10,600-32,500 |
| Cooling Power Input (Max) | W | 2,855 |
| Heating Power Input (Max) | W | 3,250 |
| SEER | - | 18.6 |
| HSPF | - | 9.5 |
| EER | (Btu/h) /W | 10.5 |
| COP | W/W | 2.71 |
| Cooling Operation Range | °F (°C) | 5~122 (-15 ~ 50) |
| Heating Operation Range | °F (°C) | 5~86 (-15 ~ 30) |
| Gas Pipe Size (OD) | Inch | 5/8" |
| Liquid Pipe Size (OD) | Inch | 3/8" |
| Connection Method | - | Flared |
| Factory Charge | oz | 97.00 |
| Additional Charge | oz/ft. | 0.32 |
| Pre-Charge Length | ft. | 24.6 |
| MAX Refrigerant Length | ft. | 164.04 |
| Min Refrigerant Pipe Length | ft. | 9.8 |
| MAX Refrigerant Pipe Elevation | ft. | 82.02 |
| Indoor Unit Data | | |
| Fan Motor Power Output | W | 58 |
| Fan Motor RLA | A | 0.27 |
| Air Flow Volume (Hi/Mi/Lo) | CFM | 794.12/617.65/470.59 |
| Sound Pressure Level (Hi/Mi/Lo) | dB(A) | 51.5/47.5/44 |
| Power Supply | - | 208/230V / 1Ph / 60Hz |
| Min/Max Voltage | V | 187-253 |
| MCA | A | 3 |
| MOCP/Breaker Size | A | 15 |
| Outdoor Unit Data | | |
| Compressor Type | - | ROTARY |
| Compressor RLA | A | 15 |
| Refrigerant Type | - | R410A |
| Fan Motor Power Output | W | 120 |
| Fan Motor RLA | A | 0.6 |
| Sound Pressure Level | dB(A) | 60 |
| Power Supply | - | 208/230V / 1Ph / 60Hz |
| Min/Max Voltage | V | 187-253 |
| Connection wiring | - | 16*4 AWG |
| MCA | A | 23 |
| MOCP/Breaker Size | A | 30 |



Job Name:

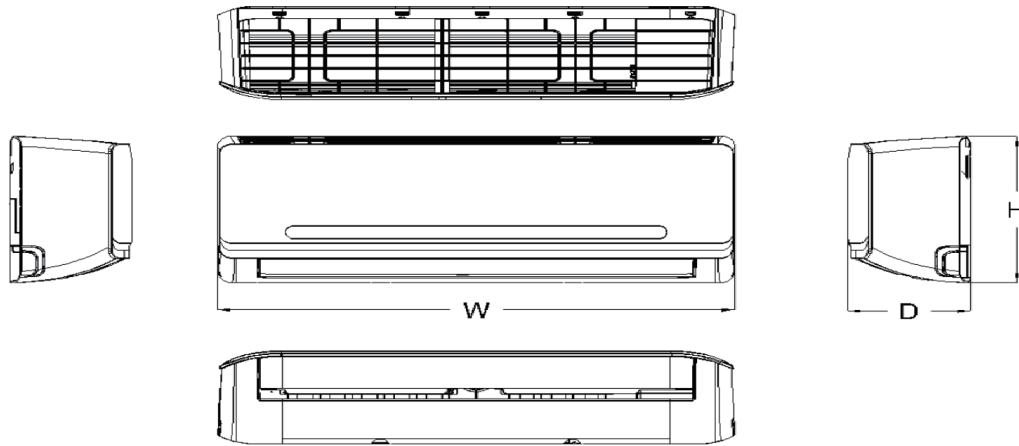
Schedule Reference:

Date:

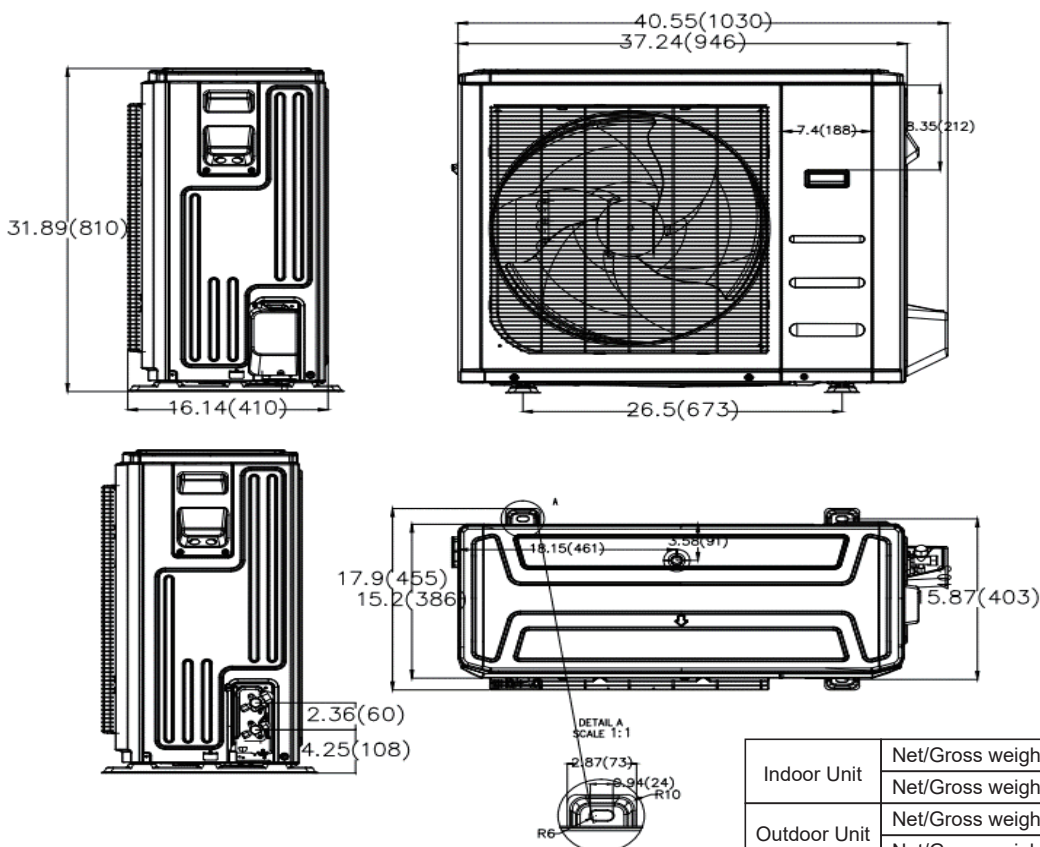
LBG Products®

HVAC expert, provide comfort life at home

Outline and Physical Dimension of LBH30DT.



| W(mm/inch) | D(mm/inch) | H(mm/inch) |
|------------|------------|------------|
| 1259/51 | 282/11-1/8 | 362/14-1/4 |



Units: inch (mm)

| | | | |
|--------------|------------------|----|---------------|
| Indoor Unit | Net/Gross weight | kg | 17/22.9 |
| | Net/Gross weight | lb | 37.48/50.49 |
| Outdoor Unit | Net/Gross weight | kg | 64.3/68.9 |
| | Net/Gross weight | lb | 141.76/151.90 |

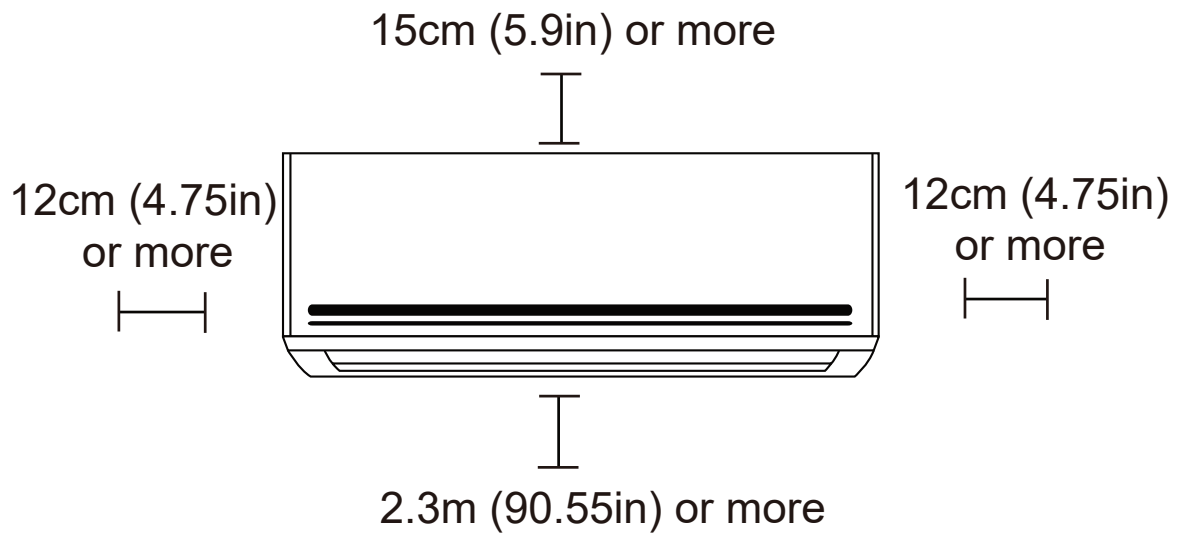


DIMENSIONAL SPECIFICATIONS

LBH30DT

MINIMUM SPACING REQUIREMENTS

INDOOR



OUTDOOR

