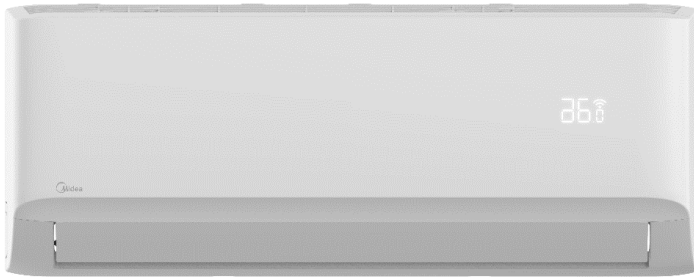


## MULTI SPLIT

## MULTI ZONE WALL MOUNTED INDOOR UNIT

Model: LBHB06DVI



Item	Unit	Parameter
<b>Model</b>	—	<b>LBHB06DVI</b>
<b>Performance</b>		
Rated Cooling Capacity (Range)	Btu/h	6000(2500~11800)
EER	Btu/w	15
SEER	Btu/w	23.5
Rated Heating Capacity (Range)	Btu/h	7000(3400~11230)
COP	W/W	3.76
HSPF4	Btu/w	11
<b>Electrical Data</b>		
Normal Operational Voltage	V, Ph, Hz	208/230, 1, 60
Voltage Range	V	187-253
MCA	A	
MOP	A	
<b>Indoor fan motor</b>		
Type	—	Cross-Flow
Model	—	ZKFP-13-8-4
Qty	—	1
Speed(Hi/Mi/Lo)	r/min	1100/810/690
<b>Air flow &amp; Noise level</b>		
Indoor air flow (Hi/Med/Lo) (No duct)	CFM	420/300/240
Indoor noise level (Hi/Med/Lo)	dB(A)	38.5/33/20.5
<b>Dimension &amp; Weight</b>		
Dimension (W×D×H)	inch	28.70×7.87×11.50
	mm	729×200×292
Packing(W×D×H)	inch	31.10×10.63×14.76
	mm	790×270×375
Net/Gross weight	lbs.	17.64/22.49
	kg	8.0/10.2
<b>Others</b>		
Liquid side/ Gas side	inch	1/4" / 3/8"
	mm	Φ6.35 / Φ9.52
Application area	sq.ft	86.11 ~ 129.17
	m2	8 ~ 12

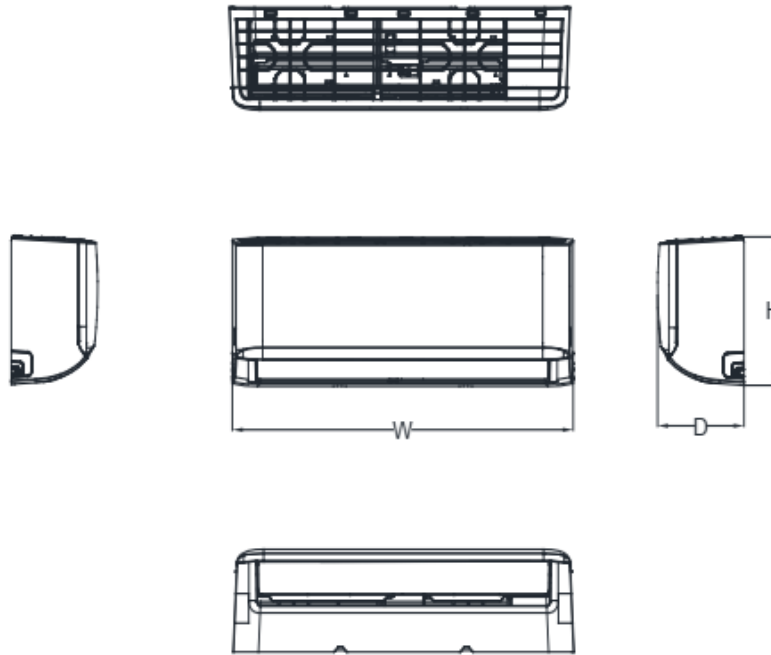
**Job Name:**

**Schedule Reference:**

**Date:**

Specification are subject to change without notice.

## Outline and Physical Dimensions of LBHB06DVI



Model	W(mm/inch)	D(mm/inch)	H(mm/inch)
LBHB06DVI	729/28.7	200/7.87	292/11.5

## The Installation of the Rear Panel

