

## MULTI SPLIT

## MULTI ZONE FLOOR CEILING INDOOR UNIT

Model: LMHB18DZDI



Item	Unit	Parameter
<b>Model</b>	—	<b>LMHB18DZDI</b>
<b>Performance</b>		
Rated Cooling Capacity (Range)	Btu/h	17000(7800~19900)
EER	Btu/w	12.5
SEER	Btu/w	20.2
Rated Heating Capacity (Range)	Btu/h	18000(8600~21500)
COP	W/W	3.19
HSPF4	Btu/w	10.6
<b>Electrical Data</b>		
Normal Operational Voltage	V, Ph, Hz	208/230, 1, 60
Voltage Range	V	187-253
MCA	A	1.9
MOP	A	15
<b>Indoor fan motor</b>		
Type	—	Cross-Flow
Model	—	ZKFN-90-8-1
Qty	—	1
Input	W	96.0
Speed(Hi/Mi/Lo)	r/min	950/850/750
<b>Air flow &amp; Noise level</b>		
Indoor air flow (Hi/Med/Lo) (No duct)	CFM	932/825/715
Indoor noise level (Hi/Med/Lo)	dB(A)	45.5/43/39
<b>Dimension &amp; Weight</b>		
Dimension (W×D×H)	inch	42.05×26.57×9.25
	mm	1068×675×235
Packing(W×D×H)	inch	45.08×29.72×12.52
	mm	1145×755×318
Net/Gross weight	lbs.	57.10/68.34
	kg	25.9/31
<b>Others</b>		
Liquid side/ Gas side	inch	1/4" / 1/2"
	mm	6.35/12.7
Application area	sq.ft	247.57 ~ 355.21
	m2	23 ~ 33

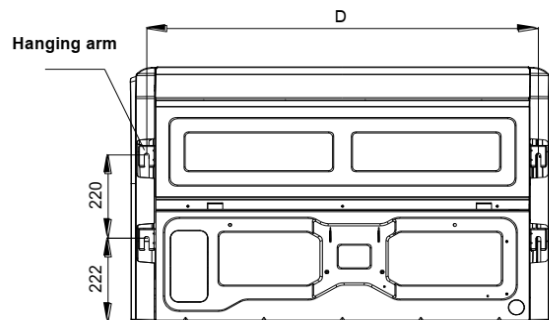
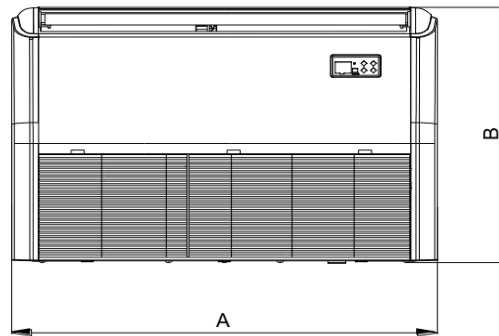
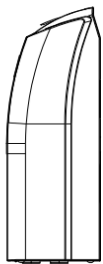
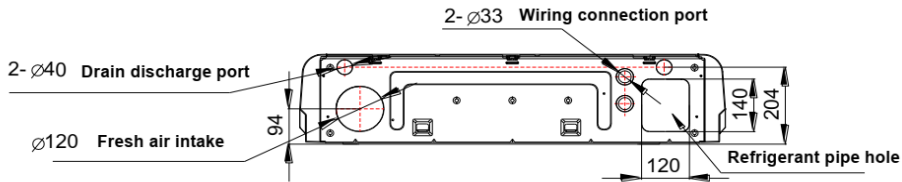
**Job Name:**

**Schedule Reference:**

**Date:**

Specification are subject to change without notice.

## Outline and Physical Dimensions of LMHB18DZDI



Model	A(mm/inch)	B(mm/inch)	C(mm/inch)	D(mm/inch)
LMHB18DZDI	1068/42.05	675/26.57	235/9.25	983/38.70

