

## MULTI SPLIT

## Multi Zone Hyper Heat Outdoor Unit

Model: LMUHB18DO



Item	Unit	Parameter
<b>Model</b>	—	<b>LMUHB18DO</b>
<b>Performance</b>		
Rated Cooling Capacity (Range)	Btu/h	19000(5500~25000)
Cooling Power Input	W	1520
EER	Btu/w	12.5
SEER	Btu/w	22
Rated Heating Capacity (Range)	Btu/h	20000(8100~29700)
Heating Power Input	W	1725
COP	W/W	3.40
HSPF4	Btu/w	10.2
Outdoor Ambient Temperature (Cooling/Heating)	°F	-22~122/ -22~86
	°C	-30~50/ -30~30
<b>Electrical Data</b>		
Normal Operational Voltage	V, Ph, Hz	208/230, 1, 60
Voltage Range	V	187-253
MCA	A	20
MOP	A	25
<b>Outdoor Fan Motor</b>		
Qty	—	1
Input	W	150.0
Speed	r/min	1050/900/850
<b>Refrigerant Pipe Data</b>		
Design Pressure	PSIG	550/340
Refrigerant Type	Oz	R410A/91.7
Refrigerant Precharge	ft/m	49/15
Liquid Side/ Gas Side	inch	2 × 1/4"/2 × 3/8"
	mm	2 × Φ6.35/2 × Φ9.52
Max. Length for All Rooms	ft	131
Max. Length for One Indoor Unit	ft	82
<b>Compressor</b>		
Type	—	ROTARY
Capacity	Btu/h	24293.44
Input	W	1895
Refrigerant Oil/Oil Charge	ml	VG74/620
<b>Air Flow &amp; Noise Level</b>		
Outdoor Air Flow (Max.)	CFM	2129.41
Outdoor Noise Level	dB(A)	61
<b>Dimension &amp; Weight</b>		
Dimension (W×D×H)	inch	37.24×16.14×31.89
	mm	946×410×810
Packing(W×D×H)	inch	42.91×19.69×34.84
	mm	1090×500×885
Net/Gross Weight	lbs.	138.23/149.03
	kg	62.7/67.6

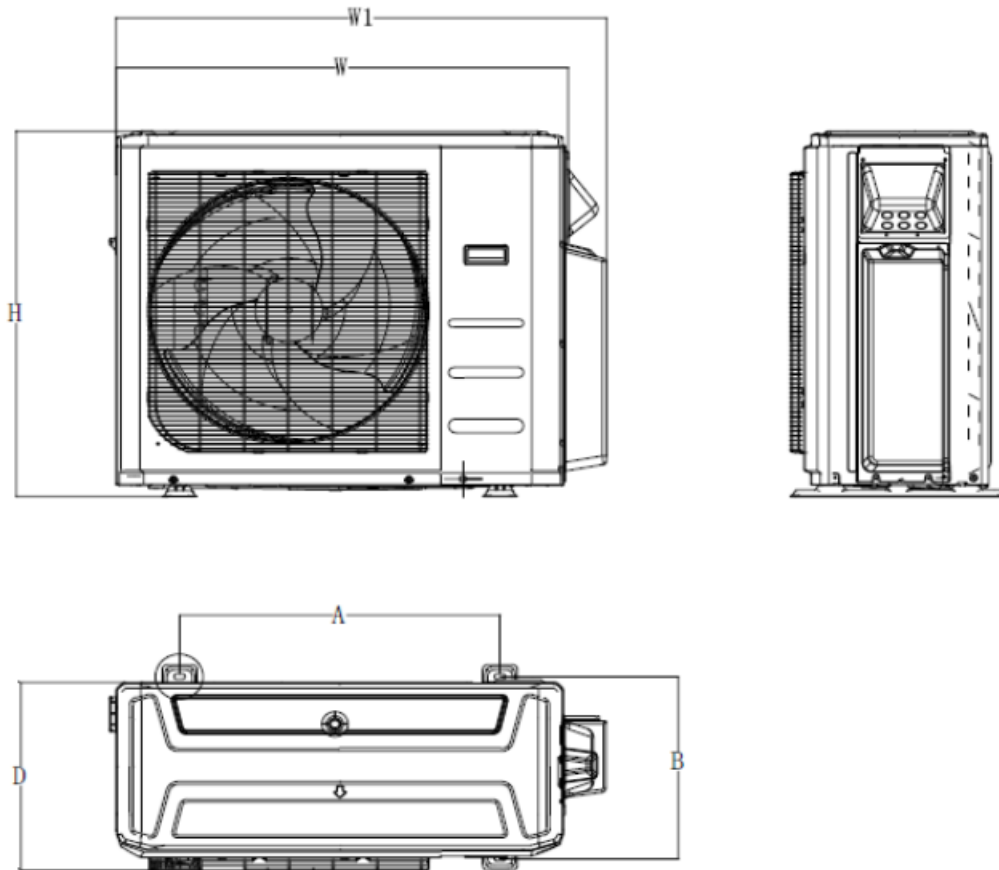
Job Name:

Schedule Reference:

Date:

Specification are subject to change without notice.

## Outline and Physical Dimensions of LMUHB18DO



Model	W(mm/inch)	D(mm/inch)	H(mm/inch)	W1(mm/inch)	A(mm/inch)	B(mm/inch)
LMUHB18DO	946/37.2	410/16.5	810/31.9	1034/40.6	673/26.5	403/15.9

