

MULTI SPLIT

Multi Zone Heat Pump Outdoor Unit

Model: LMHB27DO



Item	Unit	Parameter
Model	—	LMHB27DO
Performance		
Rated Cooling Capacity (Range)	Btu/h	28000(9838~30438)
Cooling Power Input	W	2240
EER	Btu/w	12.5
SEER	Btu/w	23.8
Rated Heating Capacity (Range)	Btu/h	28000(8218~31000)
Heating Power Input	W	2200
COP	W/W	3.73
HSPF4	Btu/w	10.5
Outdoor Ambient Temperature (Cooling/Heating)	°F	-13~122/ -13~86
	°C	-25~50/ -25~30
Electrical Data		
Normal Operational Voltage	V, Ph, Hz	208/230, 1, 60
Voltage Range	V	187-253
MCA	A	24.5
MOP	A	30
Outdoor Fan Motor		
Qty	—	1
Input	W	150.0
Speed	r/min	1050/900/850
Refrigerant Pipe Data		
Design Pressure	PSIG	550/340
Refrigerant Type	Oz	R410A/91.7
Refrigerant Precharge	ft/m	74/22.5
Liquid Side/ Gas Side	inch	3 × 1/4"/3 × 3/8"
	mm	3 × Φ6.35/3 × Φ9.52
Max. Length for All Rooms	ft	197
Max. Length for One Indoor Unit	ft	98
Compressor		
Type	—	ROTARY
Capacity	Btu/h	24293.44
Input	W	1895
Refrigerant Oil/Oil Charge	ml	VG74/620
Air Flow & Noise Level		
Outdoor Air Flow (Max.)	CFM	2129.41
Outdoor Noise Level	dB(A)	61
Dimension & Weight		
Dimension (W×D×H)	inch	37.24×16.14×31.89
	mm	946×410×810
Packing(W×D×H)	inch	42.91×19.69×34.84
	mm	1090×500×885
Net/Gross Weight	lbs.	139.77/150.57
	kg	63.4/68.3

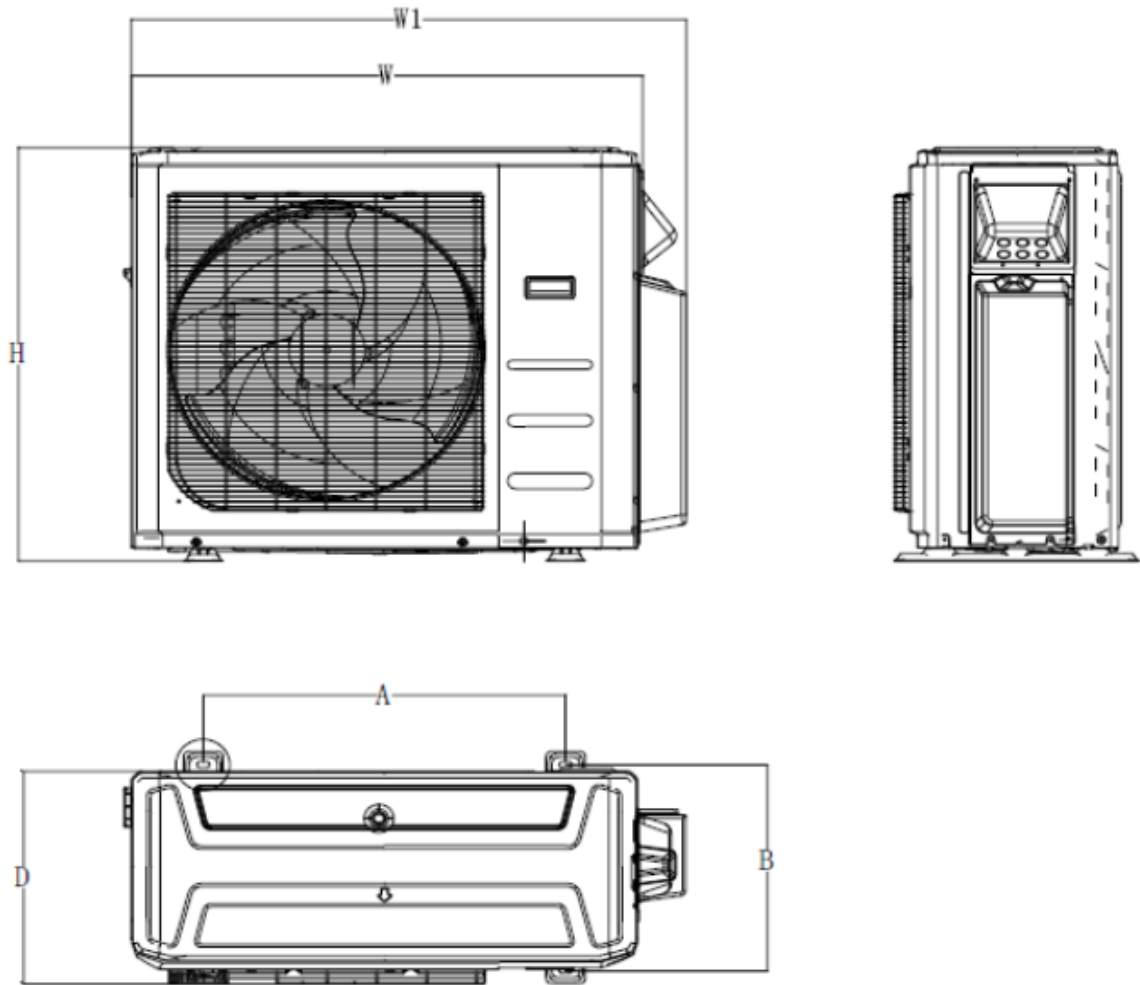
Job Name:

Schedule Reference:

Date:

Specification are subject to change without notice.

Outline and Physical Dimensions of LMHB27DO



Model	W(mm/inch)	D(mm/inch)	H(mm/inch)	W1(mm/inch)	A(mm/inch)	B(mm/inch)
LMHB27DO	946/37.2	410/16.5	810/31.9	1034/40.6	673/26.5	403/15.9

