

MULTI SPLIT

Multi Zone Hyper Heat Outdoor Unit

Model: LMUHB27DO



Item	Unit	Parameter
Model	—	LMUHB27DO
Performance		
Rated Cooling Capacity (Range)	Btu/h	28000(7995~32826)
Cooling Power Input	W	2240
EER	Btu/w	12.5
SEER	Btu/w	22.5
Rated Heating Capacity (Range)	Btu/h	28000(5035~38712)
Heating Power Input	W	2240
COP	W/W	3.66
HSPF4	Btu/w	11.3
Outdoor Ambient Temperature (Cooling/Heating)	°F	-22~122/ -22~86
	°C	-30~50/ -30~30
Electrical Data		
Normal Operational Voltage	V, Ph, Hz	208/230, 1, 60
Voltage Range	V	187-253
MCA	A	25.0
MOP	A	40
Outdoor Fan Motor		
Qty	—	1
Input	W	150.0
Speed	r/min	1000/900/750
Refrigerant Pipe Data		
Design Pressure	PSIG	550/340
Refrigerant Type	Oz	R410A/134.04
Refrigerant Precharge	ft/m	74/22.5
Liquid Side/ Gas Side	inch	3 × 1/4"/3 × 3/8"
	mm	3 × Φ6.35/3 × Φ9.52
Max. Length for All Rooms	ft	197
Max. Length for One Indoor Unit	ft	98
Compressor		
Type	—	ROTARY
Capacity	Btu/h	32380
Input	W	2600
Refrigerant Oil/Oil Charge	ml	VG74/1000
Air Flow & Noise Level		
Outdoor Air Flow (Max.)	CFM	2147.06
Outdoor Noise Level	dB(A)	63
Dimension & Weight		
Dimension (W×D×H)	inch	37.24×16.14×31.89
	mm	946×410×810
Packing(W×D×H)	inch	42.91×19.69×34.84
	mm	1090×500×885
Net/Gross Weight	lbs.	167.99/179.67
	kg	76.2/81.5

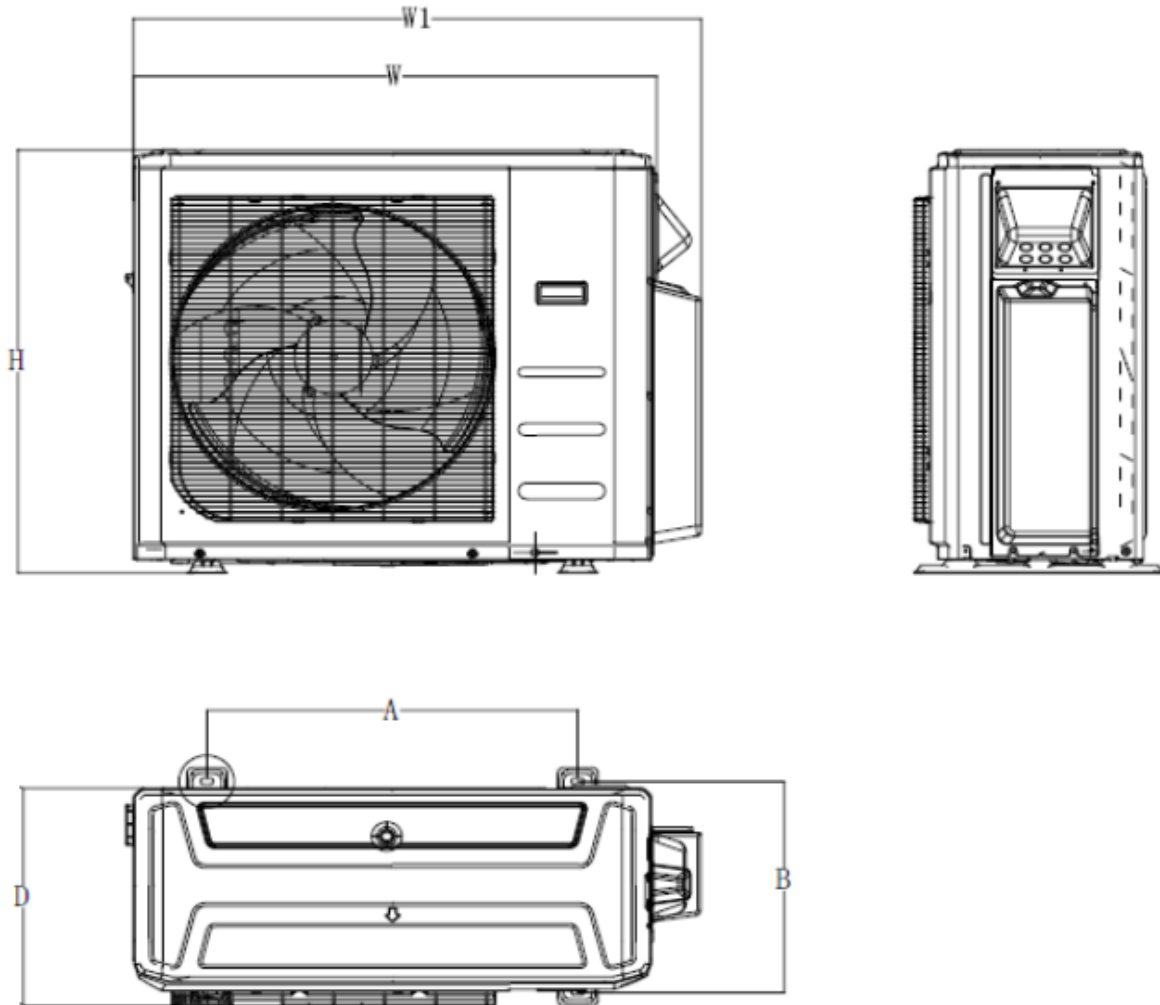
Job Name:

Schedule Reference:

Date:

Specification are subject to change without notice.

Outline and Physical Dimensions of LMUHB27DO



Model	W(mm/inch)	D(mm/inch)	H(mm/inch)	W1(mm/inch)	A(mm/inch)	B(mm/inch)
LMUHB27DO	946/37.2	410/16.5	810/31.9	1034/40.6	673/26.5	403/15.9

