

## MULTI SPLIT

## Multi Zone Heat Pump Outdoor Unit

Model: LMHB36DO



Item	Unit	Parameter
<b>Model</b>	—	<b>LMHB36DO</b>
<b>Performance</b>		
Rated Cooling Capacity (Range)	Btu/h	36000(8209~40555)
Cooling Power Input	W	3125
EER	Btu/w	11.5
SEER	Btu/w	23.0
Rated Heating Capacity (Range)	Btu/h	37000(8008~44632)
Heating Power Input	W	3000
COP	W/W	3.61
HSPF4	Btu/w	11.3
Outdoor Ambient Temperature (Cooling/Heating)	°F	-13~122/ -13~86
	°C	-25~50/ -25~30
<b>Electrical Data</b>		
Normal Operational Voltage	V, Ph, Hz	208/230, 1, 60
Voltage Range	V	187-253
MCA	A	25.0
MOP	A	40
<b>Outdoor Fan Motor</b>		
Qty	—	1
Input	W	150.0
Speed	r/min	1000/900/750
<b>Refrigerant Pipe Data</b>		
Design Pressure	PSIG	550/340
Refrigerant Type	Oz	R410A/134.04
Refrigerant Precharge	ft/m	98/30
Liquid Side/ Gas Side	inch	4 × 1/4"/3 × 3/8" + 1 × 1/2"
	mm	4 × Φ6.35/3 × Φ9.52 + 1 × Φ12.7
Max. Length for All Rooms	ft	262
Max. Length for One Indoor Unit	ft	115
<b>Compressor</b>		
Type	—	ROTARY
Capacity	Btu/h	32380
Input	W	2600
Refrigerant Oil/Oil Charge	ml	VG74/1000
<b>Air Flow &amp; Noise Level</b>		
Outdoor Air Flow (Max.)	CFM	2147.06
Outdoor Noise Level	dB(A)	63
<b>Dimension &amp; Weight</b>		
Dimension (W×D×H)	inch	37.24×16.14×31.89
	mm	946×410×810
Packing(W×D×H)	inch	42.91×19.69×34.84
	mm	1090×500×885
Net/Gross Weight	lbs.	169.09/181.44
	kg	76.7/82.3

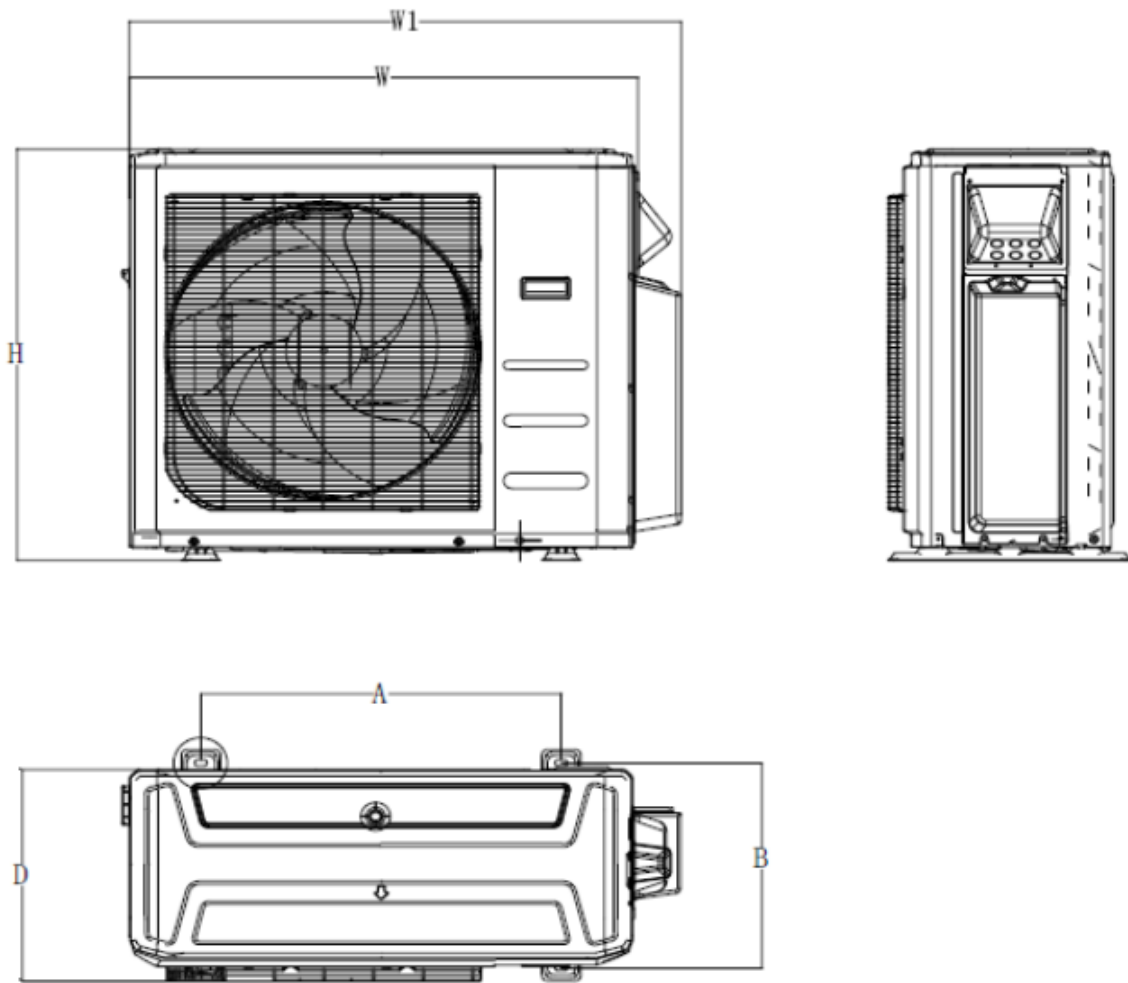
Job Name:

Schedule Reference:

Date:

Specification are subject to change without notice.

## Outline and Physical Dimensions of LMHB36DO



Model	W(mm/inch)	D(mm/inch)	H(mm/inch)	W1(mm/inch)	A(mm/inch)	B(mm/inch)
LMHB36DO	946/37.2	410/16.5	810/31.9	1034/40.6	673/26.5	403/15.9

