

## 460V Modular Heat Pump

**Model:**  
**GMV-120WM/B-U(U)**



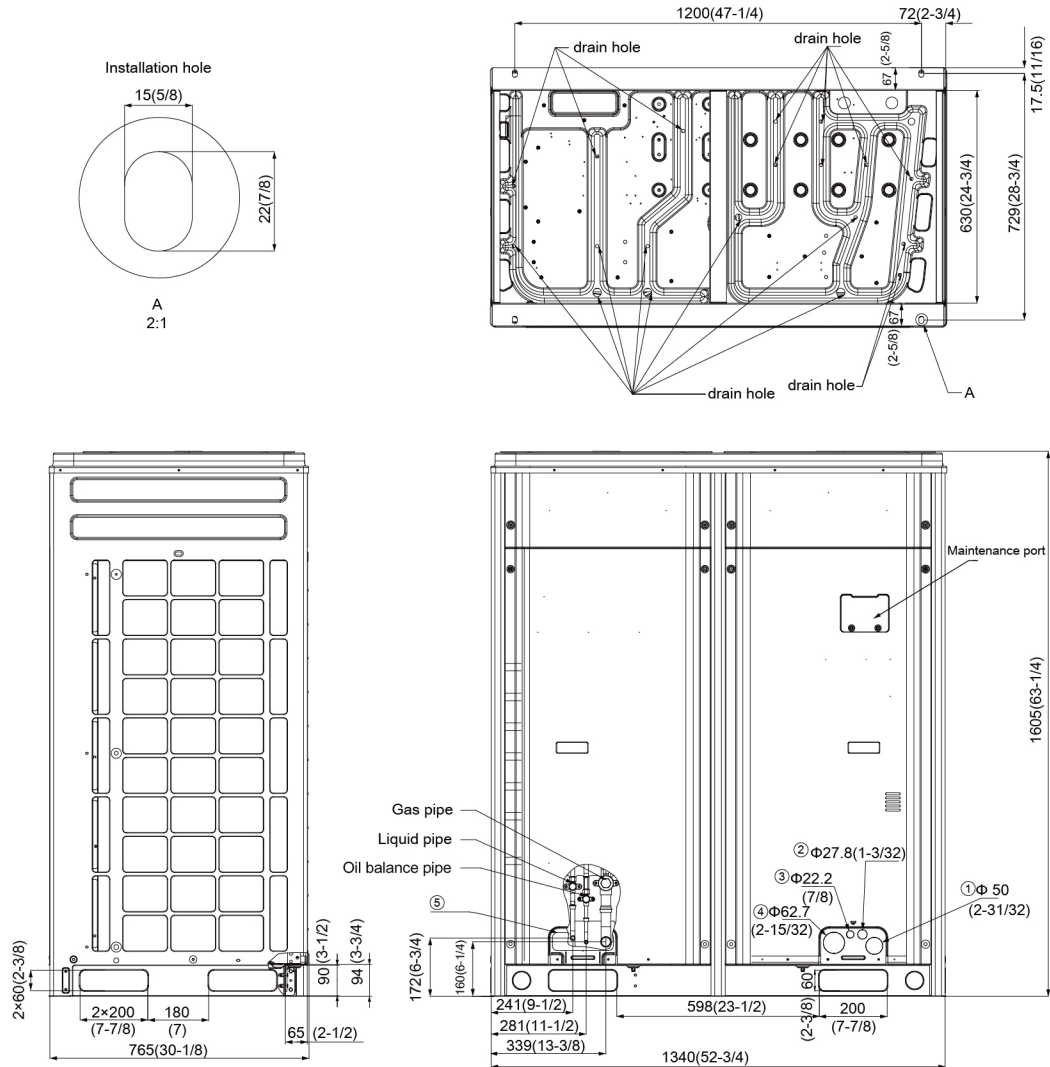
Specifications	Unit	Parameter
Model	—	GMV-120WM/B-U(U)
<b>Performance</b>		
Rated Cooling Capacity(*1)	kBtu/h	120
Rated Heating Capacity(*2)	kBtu/h	135
Power Input	Cooling(kw)	10
	Heating(kw)	10.5
Sound Pressure Level	dB(A)	63
Operating Temperature Range	Cooling(Outdoor)°C/°F	-5~52/23~125.6
	Heating(Outdoor)°C/°F	-20~24/-4~75
<b>AHRI Ratings(Ducted/Non-Ducted)</b>		
EER	(Btu/h)/W	11.2/11.2
IEER	(Btu/h)/W	22.3/24
COP	W/W	2.3~3.3/2.25~3.5
<b>Electrical Data</b>		
Power Supply	V/Ph/Hz	460/3/60
Maximum Overcurrent Protection (MOP)	A	30
Minimum Circuit Amps (MCA)	A	25
<b>Fan</b>		
Type x Quantity	—	Axial-flow×2
Air Flow Volume	CFM	8240
Fan Motor Running Current	A	0.9*2
Fan Motor Power Output	W	750
Max. External Static Pressure (ESP)	Pa/In.W.G	82/0.33
<b>Compressor</b>		
Compressor Type x Quantity	—	Inverter Scroll×2
Compressor Rated Load Amps (RLA)	A	9.2+7.7
Compressor Refrigerant Oil Type	—	FVC68D or FV68H
Compressor Refrigerant Oil Charge Volume	L/Gal	6.6/1.74
<b>Refrigerant Piping</b>		
Connection Pipe	Gas(mm/inch)	Φ28.6/Φ1-1/8
	Liquid(mm/inch)	Φ12.7/Φ1/2
Max. Equivalent Connection Pipe Length(ODU to IDU)	m/ft	165/541
Refrigerant Charge	kg/oz	11.7/416.3
Refrigerant	—	R410A
<b>Dimension/Weight</b>		
Dimensions (H×W×D)	mm/inch	1605×1340×765 (63-1/4×52-3/4×30-1/8)
Net Weight	kg/lbs	360/794
<b>Other</b>		
Indoor Unit	Total Capacity(%)	50%~135% of outdoor unit
	Max Connectable Quantity	19
Certification	—	ETL/AHRI
Condenser Fin Color	—	Gold
Protection Devices	High Pressure	High pressure sensor, High pressure switch 601 psi (4.15 MPa)
	Inverter Circuit	Over-heat protection, Over-current protection
	Compressor	Discharge temp protection, Over-current protection

\*1 Cooling | Indoor: 80°F(26.7°C)DB / 67°F(19°C)WB; Outdoor: 95°F(35°C)DB

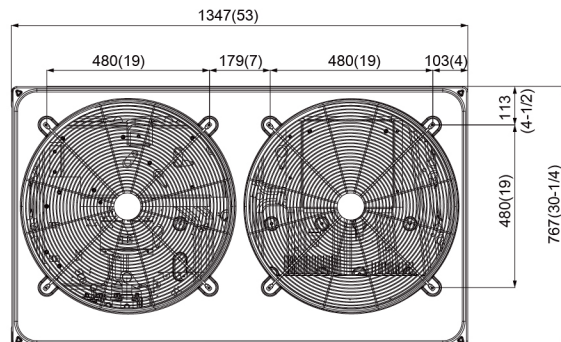
\*2 Heating | Indoor: 70°F(21.1°C)DB / Outdoor: 47°F(8.3°C)DB / 43°F(6°C)WB

Job Name:		Date:	
System Reference No.:			
Engineer Signature:			

### Outline and Physical Dimensions of GMV-120WM/B-U(U).



No.	Usage	Size mm(in.)
①	Wire	Φ50(2-31/32)
②		Φ27.8(1-3/32)
③		Φ22.2(7/8)
④		Φ62.7(2-15/32)
⑤	Pipe	180×53(7×2)



Unit:mm(in.)