

## 208~230V AHU KIT

Model:GMV-N192U/C-T(U)



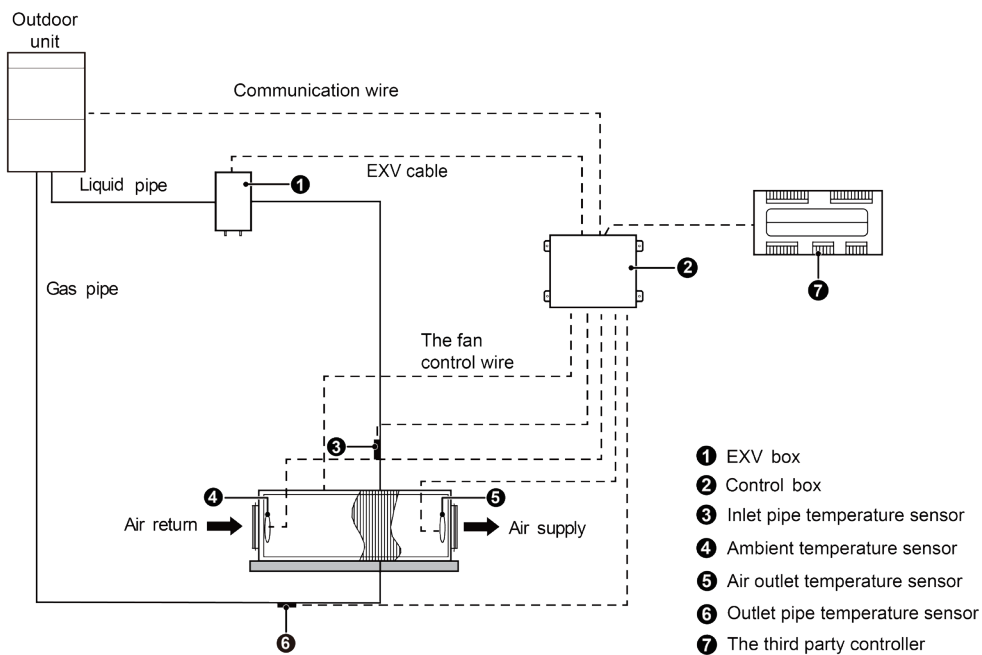
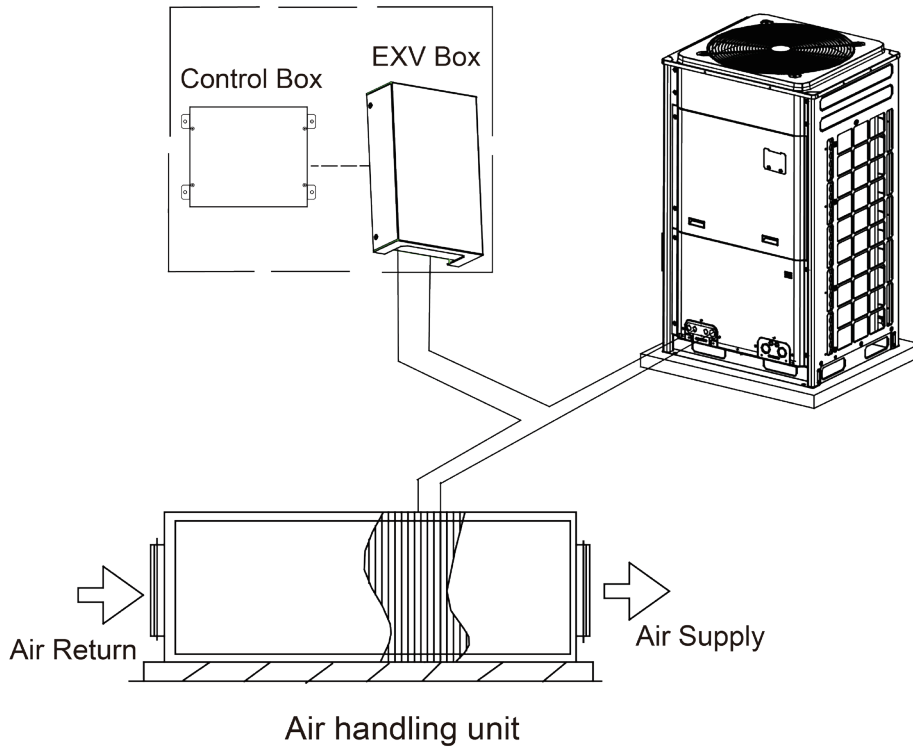
AHU-KIT consisted of control box and EXV box connects GMV outdoor unit with indoor units

- Linkage Function
- Fresh air Function
- AHU-KIT adapter can be controlled via Gree wired controller, and can also be controlled via the third party controller
- One model can match with 2 or 3 kinds of AHU, please adjust the capacity dip switch in the PCB box to adpot the corresponding AHU.

Specification	Unit	Parameter
Model	—	GMV-N192U/C-T(U)
Rated Cooling Capacity	kBtu/h	192
Rated Heating Capacity	kBtu/h	216
Rated Input	KW	
Power Supply	Voltage, Phase, Hertz	208/230, 1, 60
EXV Box Dimensions(HxWxD)	mm/inch	120X246X500 (4-3/4X9-5/8X19-5/8)
PCB Box Dimensions(HxWxD)	mm/inch	111X334X284 (4-3/8X13-1/8X11-1/8)
Connection Method	—	Brazing connection
Net Weight	kg/lbs	13.2/29
Cross-sectional Area of Power Cable Conductor	mm <sup>2</sup> /sq.in	1.00/0.0016
Standard Controller	—	XK46
Optional Controller	—	XE70-33/H & XK79

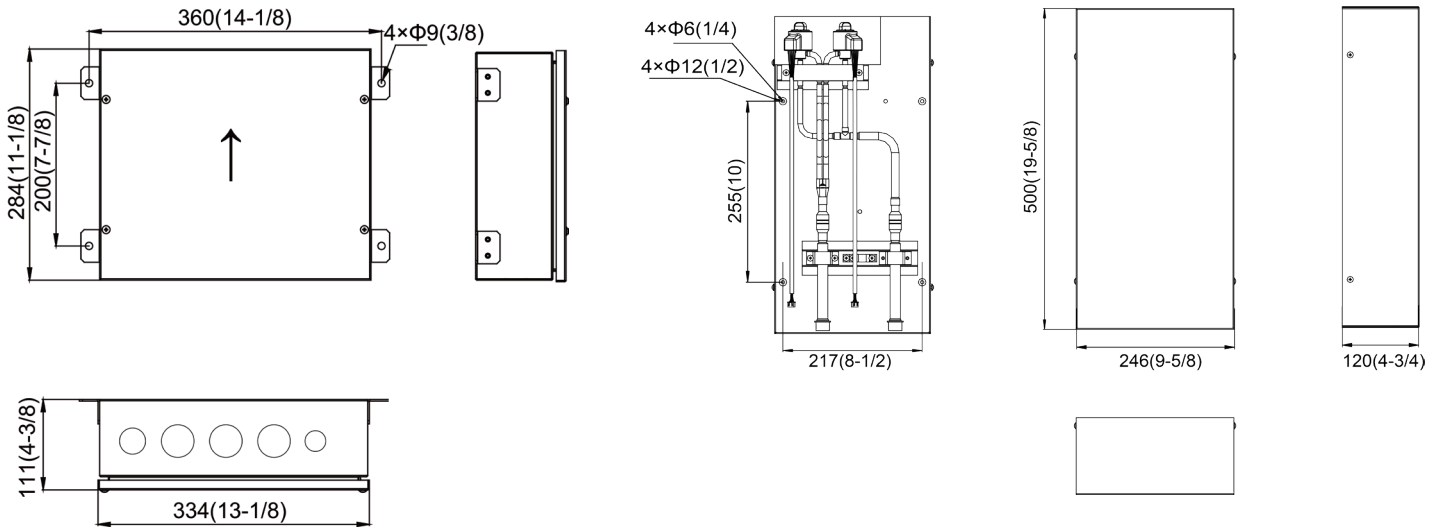
Job Name:		Date:	
System Reference No.:			
Engineer Signature:			

### AHU-KIT



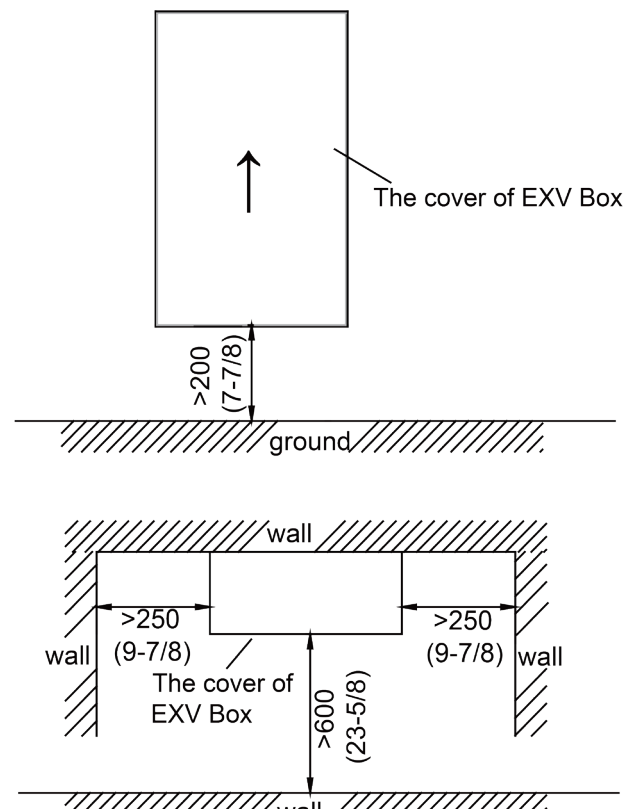
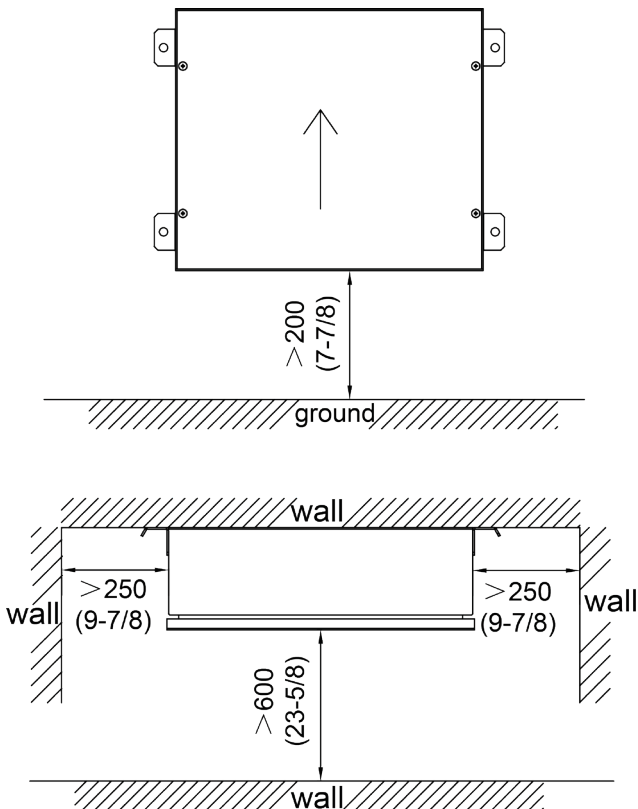
### Outline and Physical Dimensions of GMV-N192U/C-T(U).

Unit:mm(in.)



### Maintenance space of control box

### Maintenance space of EXV box



The control box must be installed upwards as the direction of the arrow shown in the figure

The EXV box must be installed upwards as the direction of the arrow shown in the figure