

## 208~230V Wall-Mounted Lomo

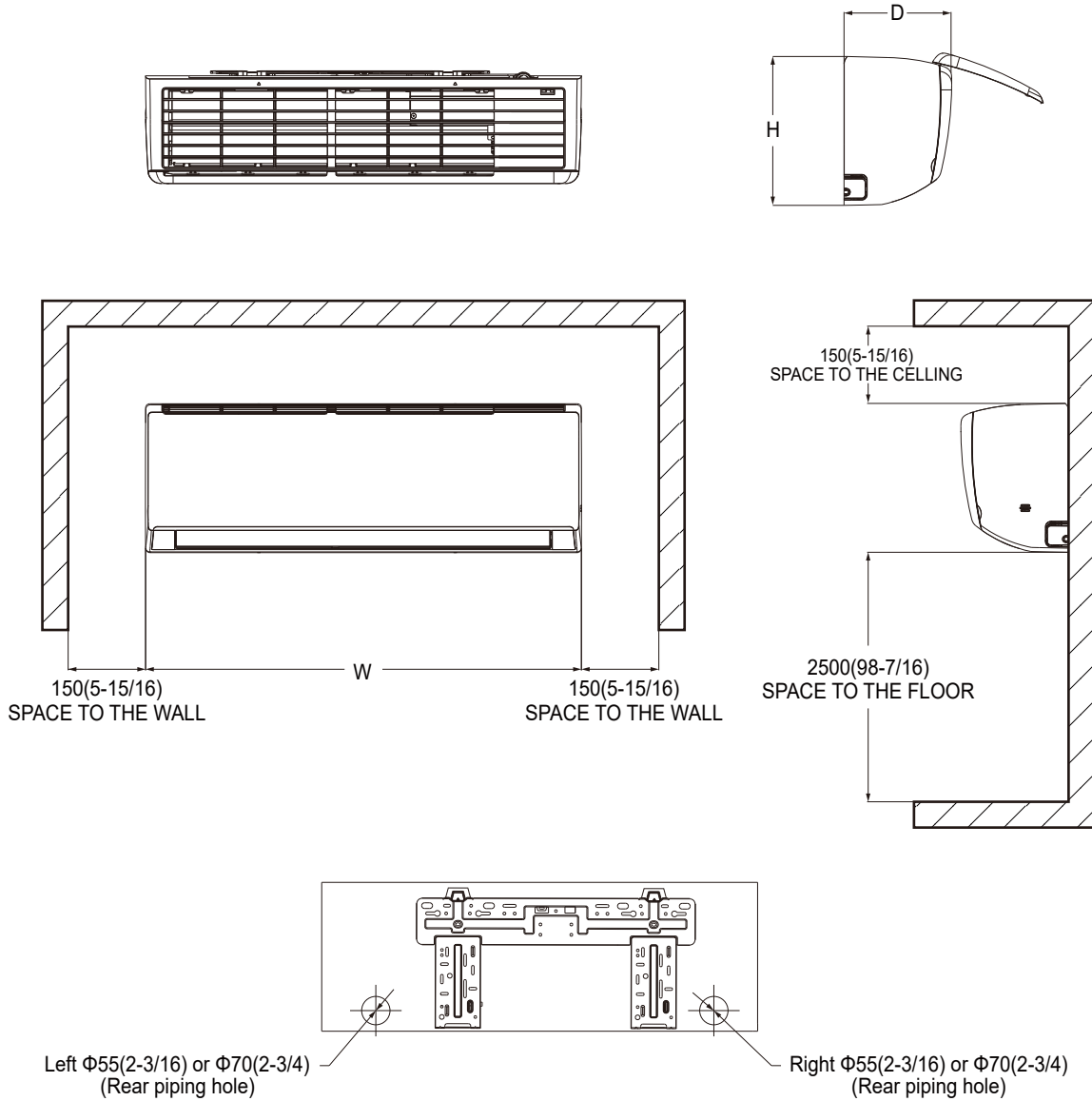
### Model:GMV-ND06G/B4B-T(U)



| Specifications                       | Unit                 | Parameter                             |
|--------------------------------------|----------------------|---------------------------------------|
| Model                                | —                    | GMV-ND06G/B4B-T(U)                    |
| <b>Performance</b>                   |                      |                                       |
| Rated Cooling Capacity               | kBtu/h               | 6                                     |
| Rated Heating Capacity               | kBtu/h               | 6                                     |
| Sound Pressure Level                 | dB(A)                | 30/33/35                              |
| <b>Electrical Data</b>               |                      |                                       |
| Power Supply                         | Voltage,Phase, Hertz | 208/230,1,60                          |
| Maximum Overcurrent Protection (MOP) | A                    | 15                                    |
| Minimum Circuit Amps (MCA)           | A                    | 1                                     |
| <b>Fan</b>                           |                      |                                       |
| Type x Quantity                      | —                    | Cross-flow×1                          |
| Air Flow Volume                      | CFM                  | 177/259/294                           |
| Fan Motor Running Current            | A                    | 0.07                                  |
| Fan Motor Power Output               | W                    | 15                                    |
| <b>Refrigerant Piping</b>            |                      |                                       |
| Connection Pipe                      | Gas(mm/inch)         | Φ9.52/Φ3/8                            |
|                                      | Liquid(mm/inch)      | Φ6.35/Φ1/4                            |
| Connection method                    | —                    | Flare Connection                      |
| Refrigerant                          | —                    | R410A                                 |
| <b>Dimension/Weight</b>              |                      |                                       |
| Dimensions (H×W×D)                   | mm/inch              | 289×845×209/<br>(11-3/8×33-1/4×8-1/4) |
| Net Weight                           | kg/lbs               | 10.5/23.5                             |
| <b>Other</b>                         |                      |                                       |
| Safety Certification                 | —                    | ETL                                   |

|                       |  |       |  |
|-----------------------|--|-------|--|
| Job Name:             |  | Date: |  |
| System Reference No.: |  |       |  |
| Engineer Signature:   |  |       |  |

### Outline and Physical Dimensions of GMV-ND06G/B4B-T(U) .



| Model              | Item | W           | H           | D          |
|--------------------|------|-------------|-------------|------------|
| GMV-ND06G/B4B-T(U) |      | 845(33-1/4) | 289(11-3/8) | 209(8-1/4) |

Unit:mm(in.)

