

208~230V Wall-Mounted Lomo

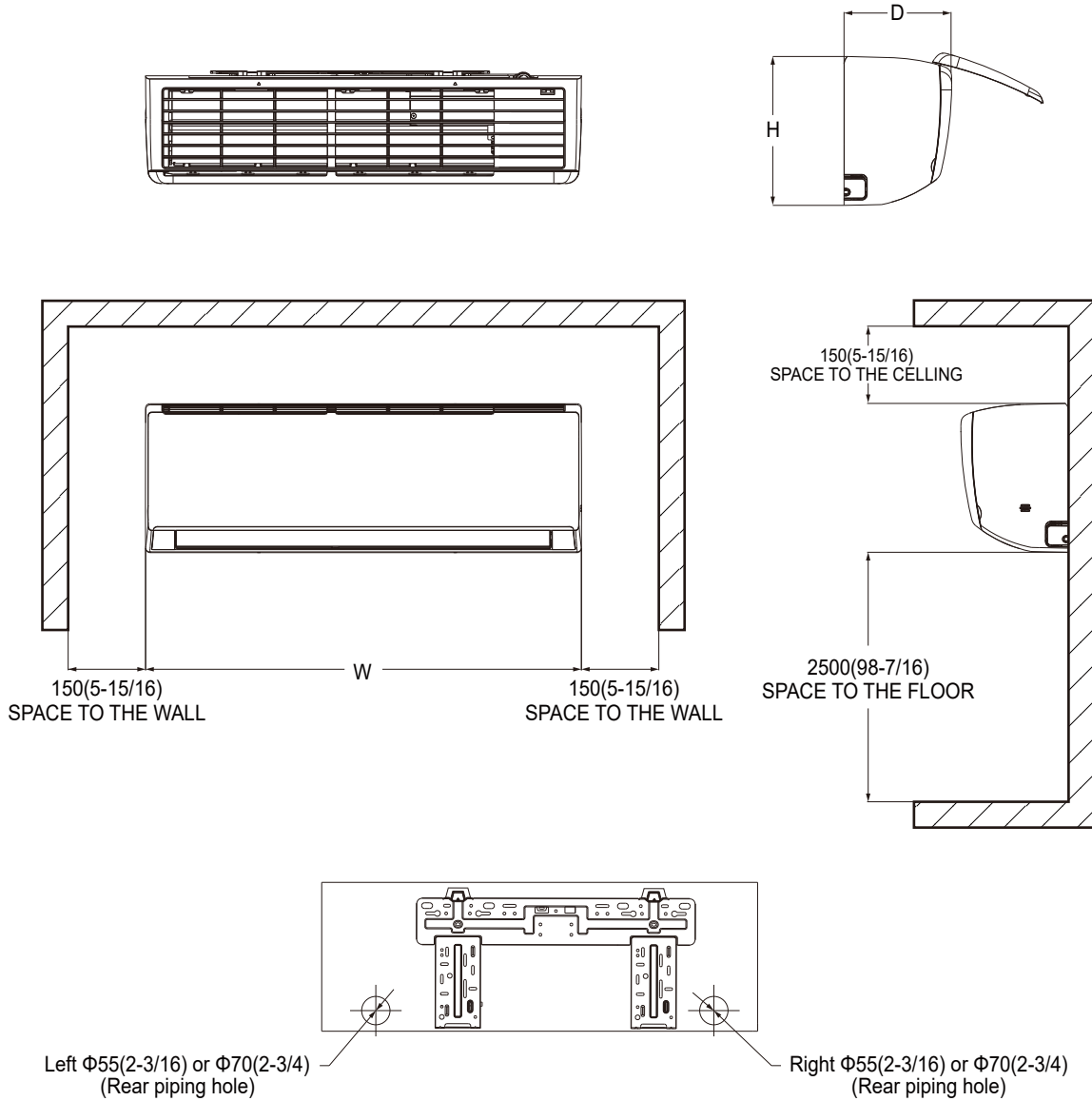
Model:GMV-ND18G/B4B-T(U)



Specifications	Unit	Parameter
Model	—	GMV-ND18G/B4B-T(U)
Performance		
Rated Cooling Capacity	kBtu/h	18
Rated Heating Capacity	kBtu/h	20
Sound Pressure Level	dB(A)	37/41/43
Electrical Data		
Power Supply	Voltage,Phase, Hertz	208/230,1,60
Maximum Overcurrent Protection (MOP)	A	15
Minimum Circuit Amps (MCA)	A	1
Fan		
Type x Quantity	—	Cross-flow×1
Air Flow Volume	CFM	383/500/647
Fan Motor Running Current	A	0.12
Fan Motor Power Output	W	25
Refrigerant Piping		
Connection Pipe	Gas(mm/inch)	Φ15.9/Φ5/8
	Liquid(mm/inch)	Φ9.52/Φ3/8
Connection method	—	Flare Connection
Refrigerant	—	R410A
Dimension/Weight		
Dimensions (H×W×D)	mm/inch	325×1078×246/ (12-13/16×42-7/16×9-11/16)
Net Weight	kg/lbs	16/35.5
Other		
Safety Certification	—	ETL

Job Name:		Date:	
System Reference No.:			
Engineer Signature:			

Outline and Physical Dimensions of GMV-ND18G/B4B-T(U) .



Model	Item	W	H	D
GMV-ND18G/B4B-T(U)		1078(42-7/16)	325(12-13/16)	246(9-11/16)

Unit:mm(in.)

