

208~230V Modular Ultra Heat Pump

Model:
GMV-V96W/A-F(U)



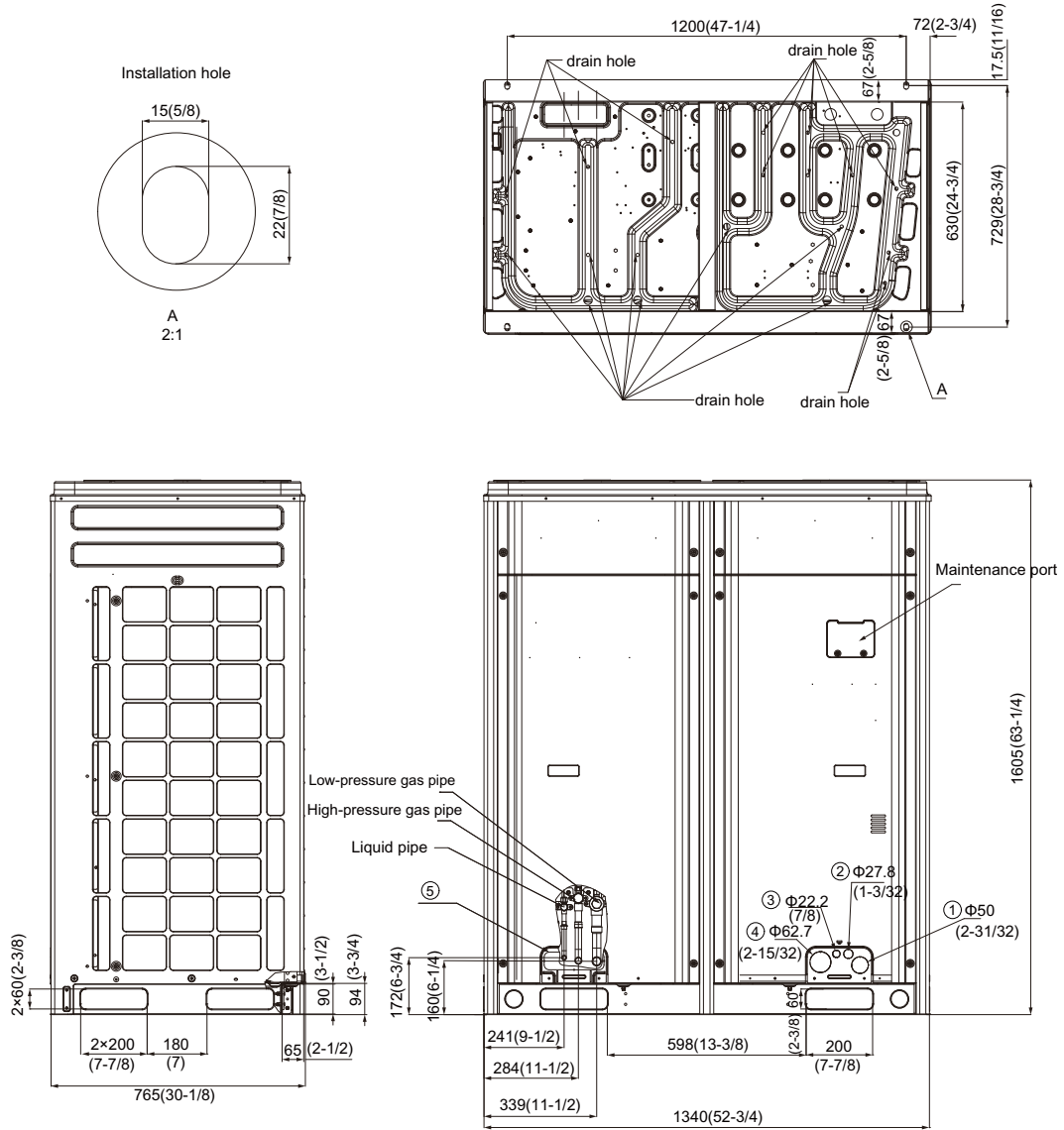
Specifications	Unit	Parameter
Model	—	GMV-V96W/A-F(U)
Performance		
Rated Cooling Capacity(*1)	kBtu/h	92
Rated Heating Capacity(*2)	kBtu/h	103
Power Input	Cooling(kw)Ducted/No Ducted	8.36/8.21
	Heating(kw)Ducted/No Ducted	8.88/8.63
Sound Pressure Level	dB(A)	60
Operating Temperature Range	Cooling(Outdoor)°C/°F	-10~52/14~125.6
	Heating(Outdoor)°C/°F	-30~24 /-22~75.2
AHRI Ratings(Ducted/Non-Ducted)		
EER	(Btu/h)/W	11/11.2
IEER	(Btu/h)/W	19/21
COP	W/W	2.25~3.4/2.25~3.5
Electrical Data		
Power Supply	V/Ph/Hz	208/230/1/60
Maximum Overcurrent Protection (MOP)	A	60
Minimum Circuit Amps (MCA)	A	45
Fan		
Type x Quantity	—	Axial-flow×2
Air Flow Volume	CFM	8239
Fan Motor Power Output	W	750
Max.External Static Pressure (ESP)	Pa/In.W.G	82/0.33
Compressor		
Compressor Type x Quantity	—	Inverter Rotary×2
Compressor Rated Load Amps (RLA)	A	16
Compressor Refrigerant Oil Type	—	FV50S
Compressor Refrigerant Oil Charge Volume	L/Gal	1.35×2 / 0.36×2
Refrigerant Piping		
Connection Pipe	Gas(mm/inch)	Φ28.6/Φ1-1/8
	Liquid(mm/inch)	Φ12.7/Φ1/2
Max. Equivalent Connection Pipe Length(ODU to IDU)	m/ft	165/541.3
Refrigerant Charge	kg/oz	11/388.1
Refrigerant	—	R410A
Dimension/Weight		
Dimensions (H×W×D)	mm/inch	1605×1340×765 (63-1/4×52--3/4×30-1/8)
Net Weight	kg/lbs	375/826.875
Other		
Indoor Unit	Diversity(%)	50%~100%
	Max Connectable Quantity	17
Certification	—	ETL/AHRI
Condenser Fin Color	—	Gold
Protection Devices	High Pressure	High pressure sensor, High pressure switch 601 psi (4.15 MPa)
	Inverter Circuit	Over-heat protection,Over-current protection
	Compressor	Discharge temp protection, Over-current protection

*1 Cooling | Indoor: 80°F(26.7°C)DB / 67°F(19°C)WB; Outdoor: 95°F(35°C)DB

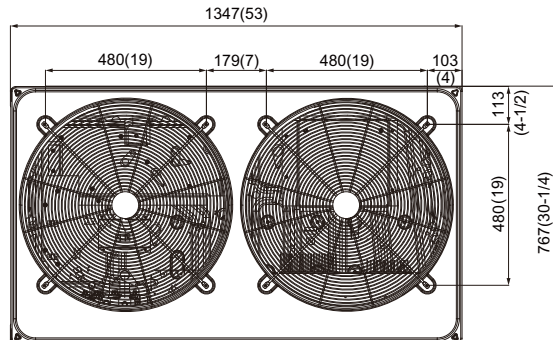
*2 Heating | Indoor: 70°F(21.1°C)DB / Outdoor: 47°F(8.3°C)DB / 43°F(6°C)WB

Job Name:		Date:	
System Reference No.:			
Engineer Signature:			

Outline and Physical Dimensions of GMV-V96W/A-F(U).



No.	Usage	Size mm(in.)
①	Wire	Φ50(2-31/32)
②		Φ27.8(1-3/32)
③		Φ22.2(7/8)
④		Φ62.7(2-15/32)
⑤	Pipe	180×53(7×2)



Unit:mm(in.)