



Owner's Manual

Original Instructions

Commercial Air Conditioners

DC Inverter Multi VRF System

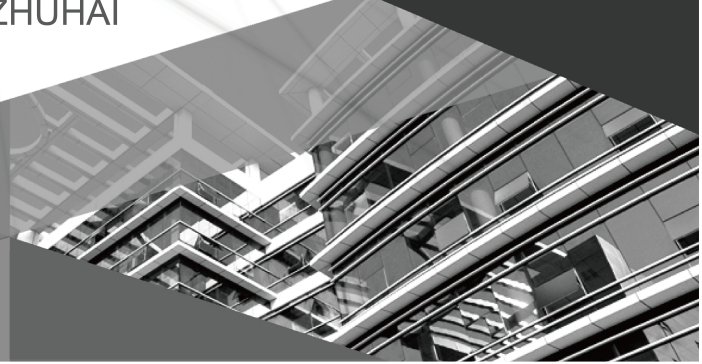
Model:

GMV-12WP/A-T(U)

Thank you for choosing commercial air conditioners. Please read this Owner's Manual carefully before operation and retain it for future reference.

If you have lost the Owner's Manual, please contact the local agent or visit www.gree.com or send an email to global@cn.gree.com for the electronic version.

GREE ELECTRIC APPLIANCES, INC. OF ZHUHAI



Preface

For correct installation and operation, please read all instructions carefully. Before reading the instructions, please be aware of the following items:

⚠ WARNING	
(1)	Instructions for installation and use of this product are provided by the manufacturer.
(2)	Installation must be performed in accordance with the requirements of NEC and CEC by authorized personnel only.
(3)	For the safe operation of this unit, please read and follow the instructions carefully.
(4)	During operation, total capacity of indoor units should not exceed the total capacity of outdoor units. Otherwise, poor effect of cooling or heating may result.
(5)	Direct operators or maintainers should well keep this manual.
(6)	If this unit fails to operate normally, please contact our service center as soon as possible and provide the following information: 1) Content on the name plate (model number, cooling capacity, production code, ex-factory date). 2) Malfunction details (before and after the malfunction occurs).
(7)	Each unit has been strictly tested and proved to be qualified before ex-factory. In order to prevent units from being damaged or operating normally because of improper disassembly, please do not disassemble the unit by yourself. If you need to disassemble and check units, please contact our service center. We will send specialists to guide the disassembly.
(8)	All graphics in this manual is only for your reference. For sales or production reasons, these graphics are subject to change by manufacturer without prior notice.
(9)	This appliance is not intended for use by persons (including children) with reduced physical, sensory or mental capabilities, or lack of experience and knowledge, unless they have been given supervision or instruction concerning use of the appliance by a person responsible for their safety. Children should be supervised to ensure that they do not play with the appliance.

User Notice



DISPOSAL: Do not dispose this product as unsorted municipal waste. Collection of such waste separately for special treatment is necessary.



Exception Clauses

Manufacturer will bear no responsibilities when personal injury or property loss is caused by the following reasons:

- (1) Damage the product due to improper use or misuse of the product.
- (2) Alter, change, maintain or use the product with other equipment without abiding by the instruction manual of manufacturer.
- (3) After verification, the defect of product is directly caused by corrosive gas.
- (4) After verification, defects are due to improper operation during transportation of product.
- (5) Operate, repair, maintain the unit without abiding by instruction manual or related regulations.
- (6) After verification, the problem or dispute is caused by the quality specification or performance of parts and components that produced by other manufacturers.
- (7) The damage is caused by natural calamities, bad using environment or force majeure.
- (8) In order to ensure smooth drainage of the unit, the unit must be regularly inspected annually.

Contents

1 Safety Notices (Please be sure to abide them)	1
2 Product Introduction	2
2.1 Names of Main Parts	2
2.2 Combinations of Indoor and Outdoor Units	2
2.3 Operating Range	3
3 Preparation before Installation	3
3.1 Standard Parts	3
3.2 Installation Site	3
3.3 Piping Work Requirements	4
4 Installation Instructions	4
4.1 Dimension of Outdoor Unit and Mounting Hole	5
4.2 Safety Notices for Installation, Maintenance and Relocation	5
4.3 Assembly procedures	6
4.4 Connection Pipe	9
4.5 Installation of Connection Pipe	12
4.6 Vacuum Pumping, Refrigerant Adding	16
4.7 Electric Wiring	17
5 Check Items after Installation and Test Operation	20
5.1 Check Items after Installation	20
5.2 Test Operation and Debugging	20
6 Common Malfunctions and Troubleshooting	25
7 Error Indications	27
8 Maintenance and Care	30
8.1 Outdoor Heat Exchanger	30
8.2 Drain Pipe	30
8.3 Notice before Seasonal Use	30
8.4 Maintenance after Seasonal Use	30
8.5 Parts Replacement	30
9 After-sales Service	31

1 Safety Notices (Please be sure to abide them)

DANGER

If not abide them strictly, it may cause severe damage to the unit or the people.

WARNING


If not abide them strictly, it may cause slight or medium damage to the unit or the people.

CAUTION

This sign indicates that the items must be prohibited. Improper operation may cause severe damage or death to people.

NOTICE

This sign indicates that the items must be observed. Improper operation may cause damage to people or property.

 WARNING	
(1)	This product can't be installed at corrosive, inflammable or explosive environment or the place with special requirements, such as kitchen. Otherwise, it will affect the normal operation or shorten the service life of the unit, or even cause fire hazard or serious injury. As for the above special places, please adopt special air conditioner with anti-corrosive or anti-explosion function.
(2)	Follow this manual to complete the installation work. Please read this manual carefully before turning on or repairing the unit
(3)	Diameter of power cord should be large enough. The damaged power cord and connection wire must be replaced with special cables.
(4)	When the power cord is connected, please fix the electric box cover properly to avoid safety accidents.
(5)	Never fail to comply with the nitrogen-charging welding process. Do charge nitrogen when welding the pipes.
(6)	Never short circuit or cancel the pressure switch to prevent unit damage.
(7)	As for the unit controlled by the wired controller, connect the wired controller well firstly and then energize the unit; otherwise, the unit can't operate normally.
(8)	When installation is finished, please check whether the drainage pipes, pipelines and electric wires are connected correctly to avoid water leakage, refrigerant leakage, electric shock or fire, etc.
(9)	Do not insert fingers or objects into air outlet or air return grille.
(10)	Open the door and window frequently to keep good ventilation for avoiding oxygen deficit when gas heater or oil heater is used in the room.
(11)	Never plug in or unplug the power plug directly to turn on or turn off the air conditioner.
(12)	Once the air conditioner is turned on, it can be turned off only after it has operated for 5min at least; otherwise, it will affect the oil return of compressor.
(13)	Do not allow children to operate this air conditioner.
(14)	Do not operate this air conditioner with wet hands.
(15)	The air conditioner can be cleaned only when it has been turned off and the power has been cut off; otherwise, it may cause electric shock or injury.
(16)	Never spray or flush water towards the air conditioner; otherwise, malfunction or electric shock may happen.
(17)	Do not expose the air conditioner to the moist or corrosive environment.
(18)	Under cooling mode, please don't set the room temperature too low; keep the temperature difference between indoor and outdoor within 5°C (41°F).
(19)	Do not repair the unit by yourself. Wrong maintenance may cause electric shock or fire hazard. Please contact Gree appointed service center for help.
(20)	Before installation, please check whether the power supply is complied with that specified on the nameplate and check the safety of the power supply.
(21)	Installation should be conducted by the dealer or qualified personnel. Please do not attempt to install the air conditioner by yourself. Improper installation may lead to water leakage, electric shock or fire hazard, etc.
(22)	Be sure to use special accessories and parts for installation to prevent water leakage, electric shock and fire hazard, etc.
(23)	The air conditioner must be grounded reliably for avoiding electric shock. Please do not connect the earthing wire to gas pipe, water pipe, lightning rod or telephone line.
(24)	Put through the power 8 hours in advance before operation. Do not cut off the power when the air conditioner stops operation for only about one night (protect the compressor).
(25)	If refrigerant leakage happens, please ventilate the room immediately.
(26)	Volatile liquid, such as diluent or gasoline, will damage the appearance of air conditioner. Only soft dry cloth and wet cloth dipped with neutral detergent can be used to clean the outer case of air conditioner.
(27)	If there are any abnormal circumstances (such as burning smell, etc.), please turn off the unit and cut off the main power supply immediately, and then contact Gree appointed service center. If those abnormal circumstances still exit, the unit may be damaged and it may lead to electric shock or fire hazard.

⚠ WARNING

(28) Under the standby status, the air conditioner will consume a little power for ensuring reliability of complete air conditioner, maintaining normal communication and preheating refrigerant. When the unit won't be used for a long time, cut off the power of the complete air conditioner. However, please preheat it when operating the unit next time.

Any personal injury or property loss caused by improper installation, improper debug, and unnecessary repair or not following the instructions of this manual should not be the responsibility of Gree Electric Appliances, Inc. of Zhuhai.

2 Product Introduction

GMV MTAC is a kind of concealed VRF unit, which adopts same side air discharge and air return. It's mainly developed for North American market, which is applicable for apartments, offices, hotels and other areas. The unit adopts deep subcooling technology for ensuring the quiet cooling operation. Moreover, the unique drainage control technology has solved the problem of water drainage of outdoor unit under low-temperature environment.

2.1 Names of Main Parts

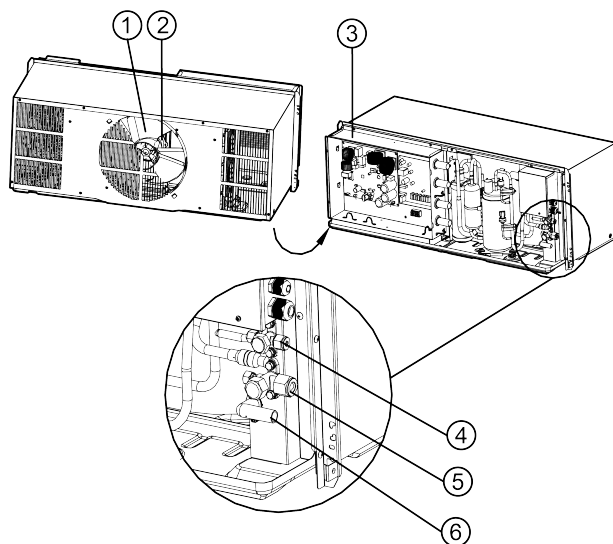


Fig.1

No.	①	②	③	④	⑤	⑥
Name	Fan blade	Motor	Electric box assembly	Liquid pipe valve	Gas pipe valve	Drain pipe

2.2 Combinations of Indoor and Outdoor Units

- (1) See below the number of indoor units that can be connected to the outdoor unit.
- (2) The total capacity of indoor units should be within 50%~135% of that of the outdoor unit.

Model	Max sets of connectable IDUs
GMV-12WP/A-T(U)	2

- (3) Can be connected to various indoor units. When any one of the indoor units receives operating command, outdoor unit will start operation as per required capacity. When all indoor units stop, outdoor unit will be shut off.

2.3 Operating Range

Cooling	Outdoor temperature: -5°C~48°C(23°F~118.4°F)
Heating	Outdoor temperature: -20°C~27°C(-4°F~80.6°F)


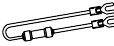

3 Preparation before Installation

NOTE

Graphics here are only for reference. Please refer to actual products. Unspecified dimensions are all in mm/inch.

3.1 Standard Parts

Please use the supplied standard parts as required.

Parts for Outdoor Unit				
No.	Name	Appearance	Qty	Remark
1	User Manual		1	—
2	Wiring (match with resistance)		1	Must be connected to the last IDU of communication connection
3	Hoop		1	Used for fixing

NOTE

Some accessories are not available for some models. Please refer to the present product for details.

3.2 Installation Site

⚠ WARNING	
(1)	The unit must be installed where strong there is a danger the weight of the unit and fixed securely; otherwise the unit would topple or fall off.
(2)	Do not install where there is a danger of combustible gas leakage.
(3)	Do not install the unit near heat source, steam, or flammable gas.
(4)	Children under 10 years old must be supervised not to operate the unit.
(5)	Select a location which is out of children's reach. Keep the unit away from children.
(6)	Make sure the location has space for heat exchange and maintenance so that unit can operate reliably with good ventilation.
(7)	Install the unit where it will not be tilted by more than 5°.
(8)	During installation, if the outdoor unit has to be exposed to strong wind, it must be fixed securely.

NOTICE	
(1)	If possible, do not install the unit where it will be exposed to direct sunlight (If necessary, install a blind that does not interfere with the air flow).
(2)	Install ODU in a place where it will be free from getting dirty or getting wet by rain as much as possible.
(3)	Install ODU where it is convenient to connect IDU.
(4)	ODU and IDU should stay as close as possible to shorten the length of refrigerant pipe and reduce bend angles.
(5)	Install ODU where the condensate water can be drained out freely during heating operation. Do not place animals and plants in the path of the warm air.
(6)	Take the air conditioner weight into account and select a place where noise and vibration are small.

If the ODU is totally surrounded by walls, please refer to the following figures for space dimension:

Unit: mm (inch)

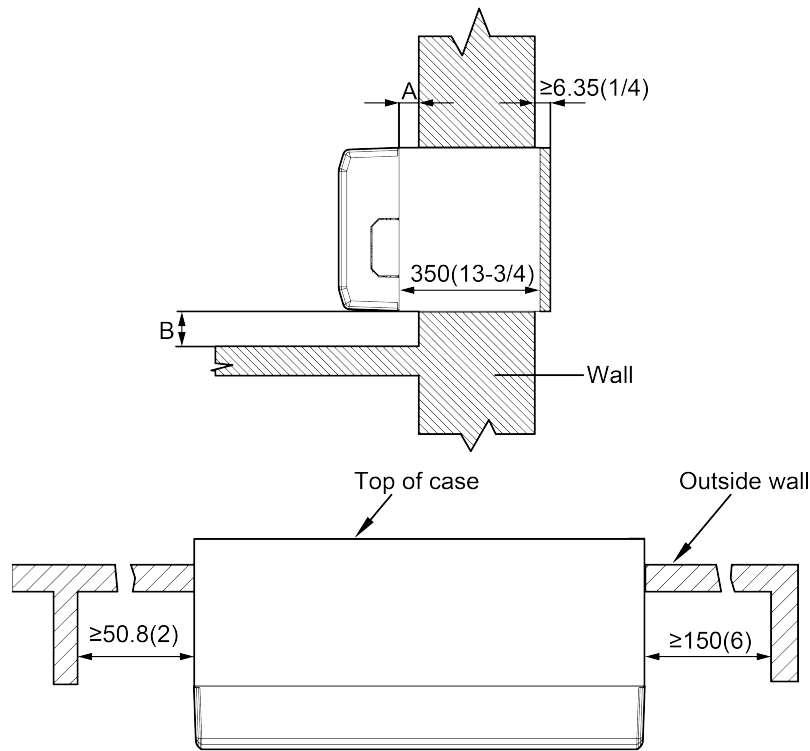


Fig. 2

Dimension	A	B	
	Allow for wall finishing	Allow for floor finishing	
	Min.(mm/inch)	Min. (mm/inch)	Max. (mm/inch)
No Accessories	6.35(1/4)	6.35(1/4)	—
With Subbase	45(1-3/4)	89(3-1/2)	127(5)
With Lateral Duct	19(3/4)	6.35(1/4)	—

NOTE

If more than one accessory is to be used, use the maximum dimension. If the wall thickness is more than 350mm(13-3/4inch) - (A + 6.35mm(1/4inch)), a sleeve extension must be used.

3.3 Piping Work Requirements

Refer to the table below for piping work requirements:

R410A Refrigerant System	
Outer diameter (mm/inch)	Wall thickness(mm/inch)
Φ6.35(1/4)	≥0.8(1/32)
Φ9.52(3/8)	≥0.8(1/32)
Φ12.7(1/2)	≥0.8(1/32)
Φ15.9(5/8)	≥1.0(1/25)
Φ19.05(3/4)	≥1.0(1/25)

4 Installation Instructions

NOTE

Graphics here are only for reference. Please refer to actual products. Unspecified dimensions are all in mm/inch.

4.1 Dimension of Outdoor Unit and Mounting Hole

Unit Outline and Installation Dimension.

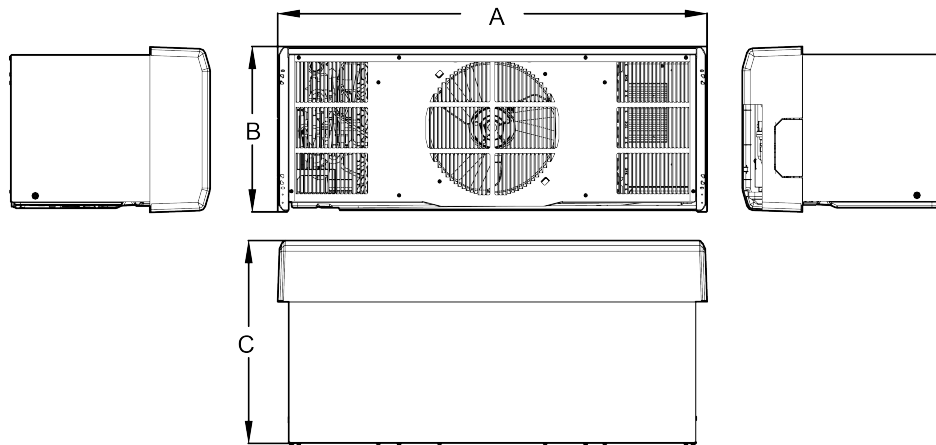


Fig.3

Unit: mm (inch)

Model	A	B	C
GMV-12WP/A-T(U)	1069(42-1/16)	406(16)	500(19-11/16)

4.2 Safety Notices for Installation, Maintenance and Relocation

- (1) Do not mix any substance other than refrigerant in the refrigerant circuit during installation or relocation. Do not leave any air in the pipe. If air or other substances are mixed, system pressure will rise and the compressor will burst and cause damage.
- (2) Do not charge the specified refrigerant type during installation or relocation. If other refrigerant type is charged, it may cause problems such as poor operation, malfunction, mechanical failure, etc., and even a major safety accident.
- (3) When refrigerant shall be recycled during relocation or maintenance, you must use pressure gauge. First, perform the cooling operation, and then completely close the valve (liquid valve) at high pressure side. When the pressure gauge reads 0~0.05 MPa, completely close the valve (gas valve) at low pressure side. Then stop operation immediately and cut off the power.
- (4) When recycling the refrigerant, it is necessary to ensure that the liquid valve and gas valve are completely closed and the power is turned off before removing the connection pipe. If the connection pipe is removed before cutting off power supply with compressor operating, air will get into it and system pressure will rise, so that compressor burst may happen to cause damage.
- (5) When installing the unit, make sure that the connection pipe is securely connected before starting the compressor. If the compressor is started before the connection pipe is connected and the cut-off valve is open, or the connecting pipe is completed and the shut-off valve is opened, air will get into it and system pressure will rise, so that compressor burst may happen to cause damage.
- (6) Wiring between indoor and outdoor units must be properly connected using the specified wires, and the terminals should not be reliably fixed without the direct effect of external force. Improper connection or fixing may cause a fire accident.

- (7) No connection is allowed in the middle of the wire. If the length of wire is not enough, please contact the designated service store to prepare a specialized wire with sufficient length.
- (8) In order to prevent small animals from entering, when the on-site pipe connection of outdoor unit is finished, you must keep the unit baffle and seal the knock-out hole properly with insulating material.

⚠ WARNING

When the unit is to be installed in a small room, relevant measures must be taken to prevent the refrigerant concentration in the room from exceeding the limit when the refrigerant leaks, resulting in hypoxia or suffocation.

⚠ WARNING

Do not touch the fins of heat exchanger. Improper touch may cause damage.

NOTICE

Do not install the unit in places with high pH value, big voltage fluctuation, vehicle and ships, etc.

4.3 Assembly procedures

4.3.1 Main Parts of Unit

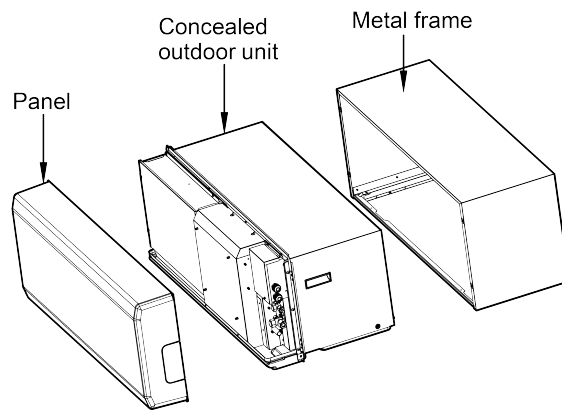


Fig.4

4.3.2 Install Metal Outer Case

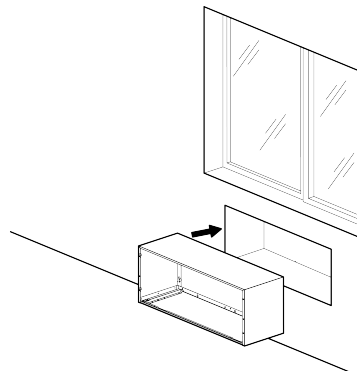


Fig.5 Install the metal outer case inside the wall and then use bolts to fix it.

NOTE

This metal outer case is the optional part. This metal outer case must be installed inside the wall before installing the unit.

4.3.3 Disassemble Injection Molding Panel

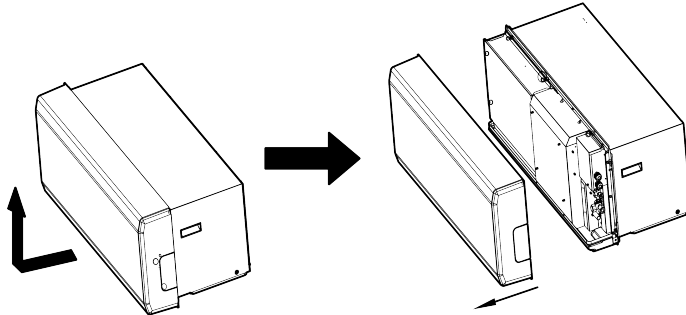


Fig.6

NOTE

Before installing the complete unit, remove the panel to prevent damage.

4.3.4 Install Main Unit

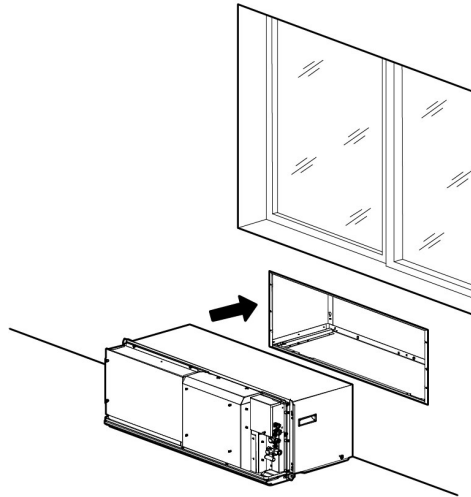


Fig.7 Push the unit into the outer case

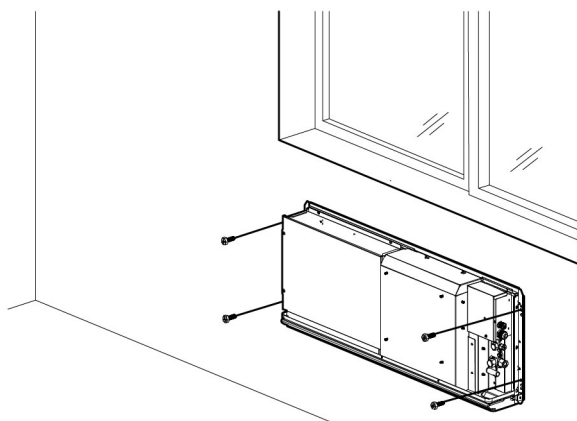


Fig.8 Install the unit inside the metal outer case and then use screws to fix it

NOTE

After the main unit is installed, remember to check the horizontal status of the whole unit.

4.3.5 Install Power, Communication and Pipeline

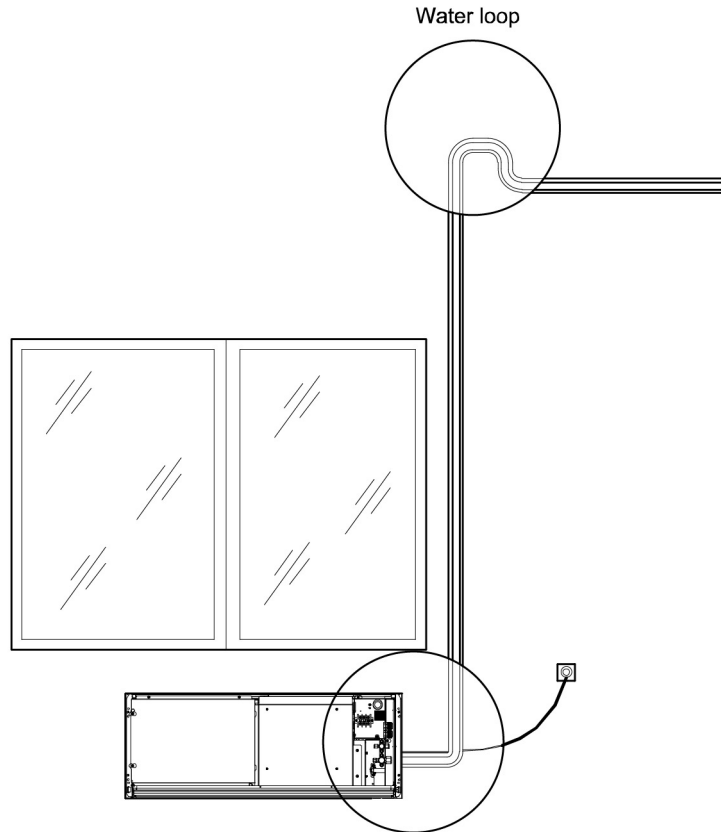


Fig.9

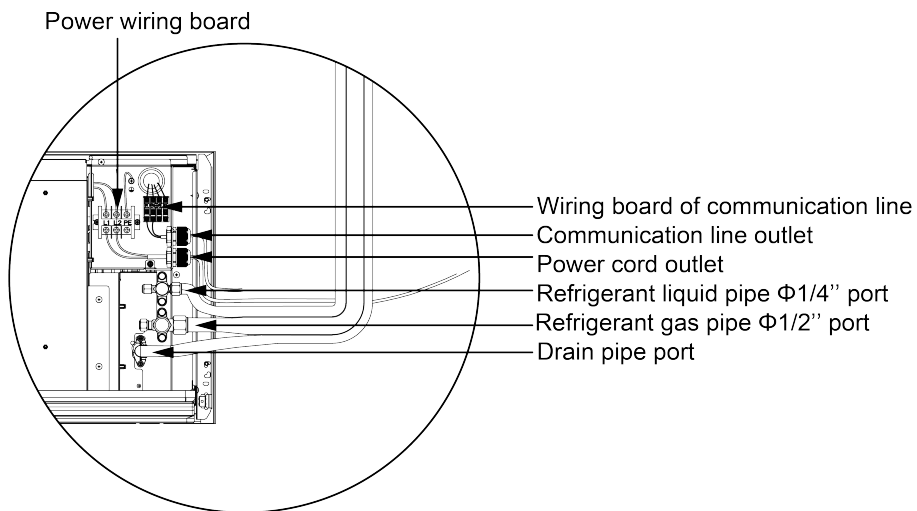


Fig.10

NOTICE

(1) The diameter of drain pipe must be less than $\Phi 15\text{mm}$ ($\Phi 3/5\text{inch}$).
(2) When the drain pipe is installed, the highest position of the drain pipe can't exceed 3.5m (11-1/2feet) above the bottom of unit and a water loop must be set at the highest position.
(3) After the drain pipe exits the drain outlet, it is straight up and not inclined.
(4) The refrigerant connection pipe needs to be insulated.

4.3.6 Remove the Knockout Hole on the Panel

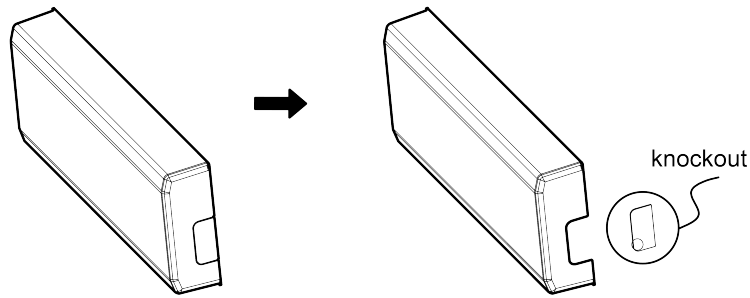


Fig.11

4.3.7 Install Panel

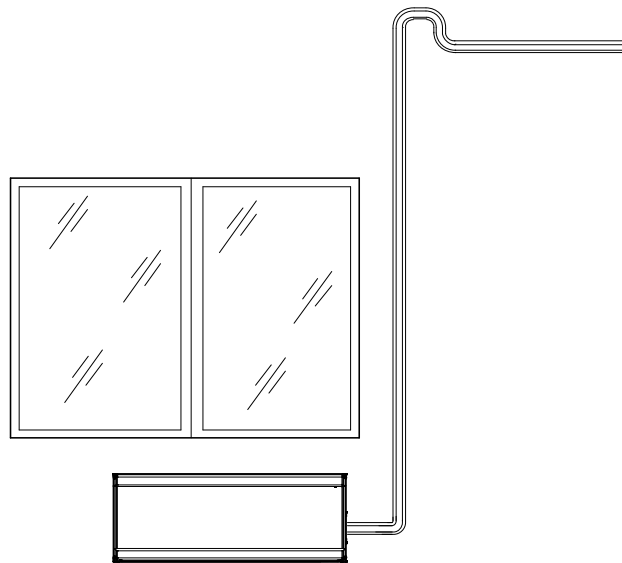


Fig.12 Install the panel on the unit, and press the buckle on both sides.

4.4 Connection Pipe

4.4.1 Schematic Diagram of Piping Connection

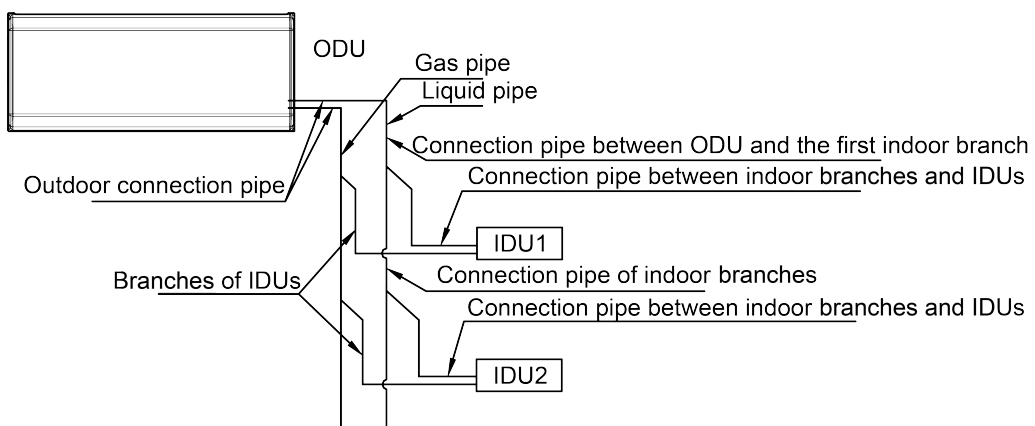


Fig.13

4.4.2 Allowable Length and Height Difference of Connection Pipe

Y type branch joint is adopted to connect indoor and outdoor units. Connecting method is shown in the figure below:

NOTE

Equivalent length of one Y-type branch is 0.5m (1-5/8feet).

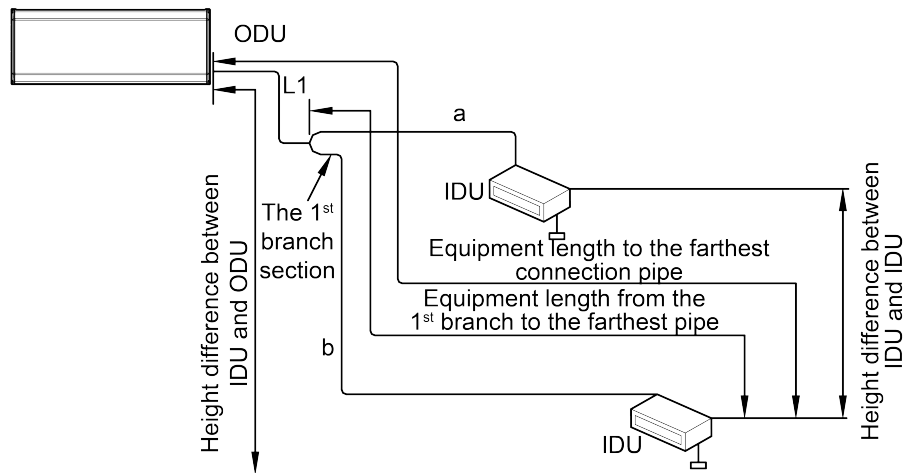


Fig.14 Allowable Length and Height Difference of Connection Pipe

Piping parameters of GMV-12WP/A-T(U)

—	Allowable value		Fitting pipe
	m	feet	
Total length (actual length) of fitting pipe	30	98-3/8	L1+a+b
Length of farthest fitting pipe (m)	Actual length	30	L1+b
	Equivalent length	30.5	
From the 1 st branch to the farthest indoor pipe	15	49-2/8	b
Height difference between ODU and IDU	ODU at upper side	15	—
	ODU at lower side	15	—
Height difference between IDUs	10	32-6/8	—

4.4.3 Dimension of Pipe (Main Pipe) from ODU to the 1st Indoor Branch

Dimension of pipe from ODU to the 1st indoor branch will be determined by the dimension of outdoor connection pipe.

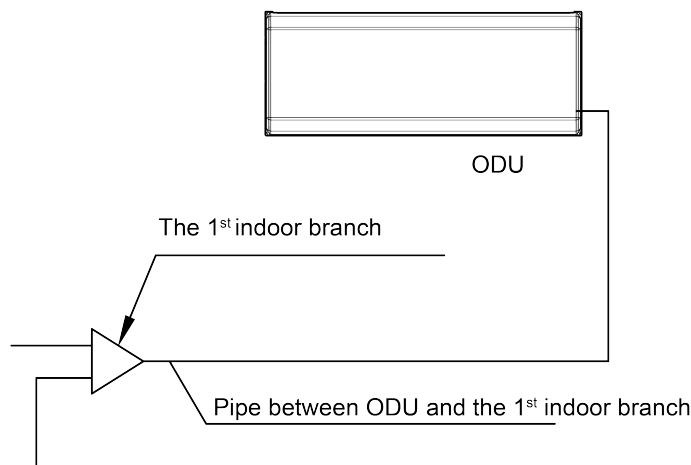


Fig.15

Dimension of outdoor connection pipe

Basic module	Pipe dimension	
	Gas pipe (mm/inch)	Liquid pipe (mm/inch)
GMV-12WP/A-T(U)	Φ12.7(Φ1/2)	Φ6.35(Φ1/4)

4.4.4 Selection of Indoor Branches

Select indoor branches according to the total capacity of downstream indoor units. If the capacity exceeds that of the outdoor unit, capacity of outdoor unit prevails.

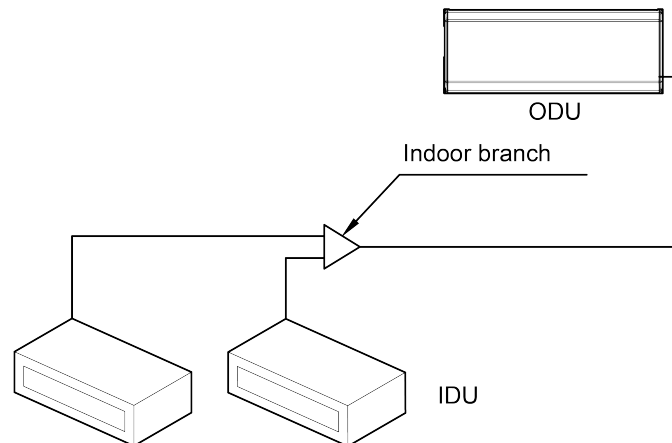


Fig. 16

R410A Refrigerant system	Total capacity of downstream indoor units C (Btu/h)	Model
Y type branch	$C < 68200$	FQ01A/A
	$68200 \leq C \leq 102400$	FQ01B/A
	$102400 < C \leq 238800$	FQ02/A
	$238800 < C \leq 460600$	FQ03/A
	$460600 < C$	FQ04/A

4.4.5 Dimension of Pipe between Indoor Branches

Select pipe between indoor branches according to the capacity of downstream indoor units; if the capacity exceeds that of the outdoor unit, capacity of outdoor unit prevails.

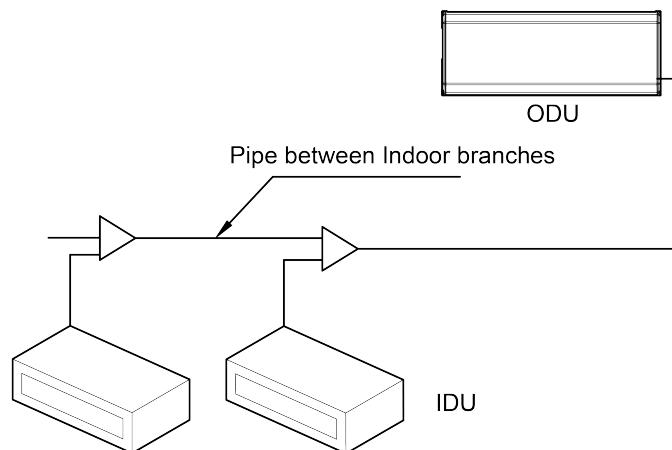


Fig. 17

Total capacity of downstream indoor units C (Btu/h)	Gas pipe (mm/inch)	Liquid pipe (mm/inch)
$C \leq 19000$	$\Phi 12.7(\Phi 1/2)$	$\Phi 6.35(\Phi 1/4)$
$19000 < C \leq 48500$	$\Phi 15.9(\Phi 5/8)$	$\Phi 9.52(\Phi 3/8)$
$48500 < C \leq 76400$	$\Phi 19.05(\Phi 3/4)$	$\Phi 9.52(\Phi 3/8)$

4.4.6 Dimension of Pipe between Indoor Branch and IDU

Dimension of pipe between indoor branch and IDU should be consistent with the dimension of indoor pipe.

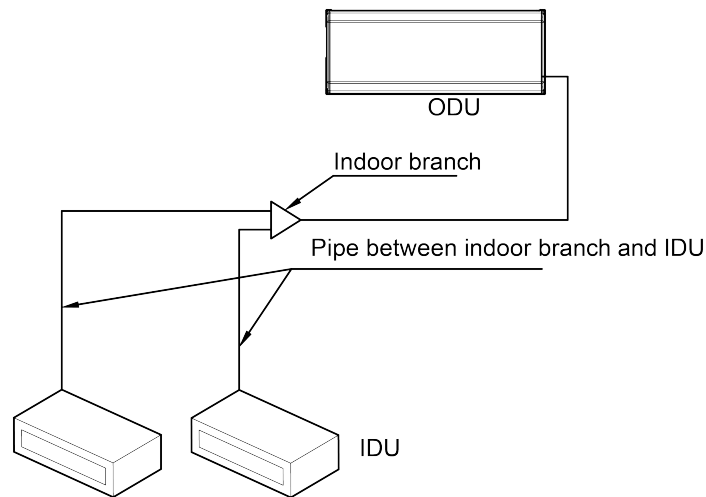


Fig. 18

Rated capacity of IDU C(Btu/h)	Gas pipe (mm/inch)	Liquid pipe (mm/inch)
$C \leq 9600$	$\Phi 9.52(\Phi 3/8)$	$\Phi 6.35(\Phi 1/4)$
$9600 < C \leq 17000$	$\Phi 12.7(\Phi 1/2)$	$\Phi 6.35(\Phi 1/4)$
$17000 < C \leq 48000$	$\Phi 15.9(\Phi 5/8)$	$\Phi 9.52(\Phi 3/8)$
$48000 < C \leq 55000$	$\Phi 19.05(\Phi 3/4)$	$\Phi 9.52(\Phi 3/8)$
$55000 < C \leq 96000$	$\Phi 22.2(\Phi 7/8)$	$\Phi 9.52(\Phi 3/8)$

NOTE

If the distance between IDU and its nearest branch is over 10m (32-6/8feet), then the liquid pipe of IDU (rated capacity ≤ 17000 Btu/h) shall be enlarged.

4.5 Installation of Connection Pipe

4.5.1 Precautions for the Installation of Connection Pipe

- (1) Conform to the following principles during pipe connection: Connection pipe should be as short as possible, so is the height difference between indoor and outdoor units. Keep the number of bends as little as possible. Radius of curvature should be as large as possible.
- (2) Weld the connection pipe between indoor and outdoor units. Please strictly follow the requirements for welding process. Rosin joint or pin hole is not allowed.
- (3) Radius of bending parts should be over 200mm (7-7/8inch). Note that pipes cannot be repeatedly bent or stretched; otherwise the material will get harder. Do not bend or stretch the pipe for more than 3 times at the same position.

4.5.2 Flaring Process

- (1) Use pipe cutter to cut the connection pipe in case it is unshaped.
- (2) Keep the pipe downward in case cutting scraps get into the pipe. Clear away the burrs after cutting.
- (3) Remove the flared nut connecting indoor connection pipe and outdoor unit. Then use flaring tool to fix the flared nut into the pipe (as shown in Fig.19).
- (4) Check if the flared part is flaring evenly and if there is any crack.

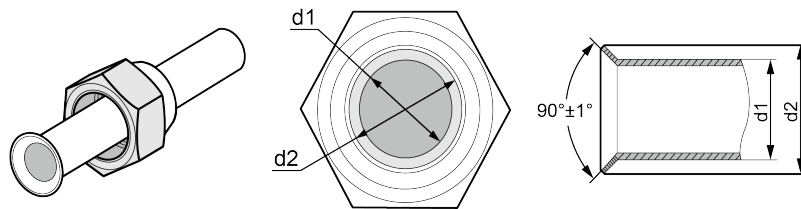


Fig. 19

4.5.3 Pipe Bending

- (1) Reshape the pipe by hand. Be careful not to damage the pipe.

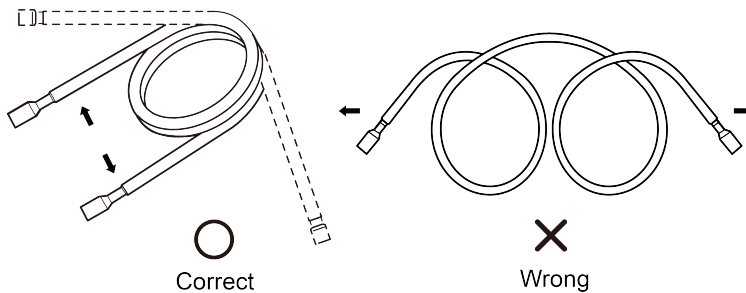


Fig. 20

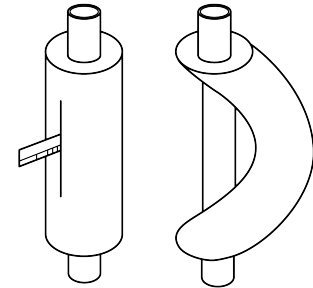


Fig. 21

- (2) Do not bend the pipe over 90°.
- (3) If pipe is repeatedly bent or stretched, it will get hard and difficult to bend and stretch again. Therefore, do not bend or stretch the bend for over 3 times.
- (4) In case that direct bending will open cracks to the pipe, first use sharp cutter to cut the insulating layer, as shown in Fig.21. Do not bend the pipe until it is exposed. When bending is done, wrap the pipe with insulating layer and then secure it with adhesive tape.

4.5.4 Indoor Pipe Connection

- (1) Remove pipe cover and pipe plug.
- (2) Direct the flared part of copper pipe to the center of screwed joint. Twist on the flared nut tightly by hand, as in Fig.22 (Make sure indoor pipe is correctly connected. Improper location of the center will prevent flared nut from being securely twisted. Thread of nut will get damaged if the flared nut is twisted forcibly).
- (3) Use torque wrench to twist on the flared nut tightly until the wrench gives out a click sound (Hold the handle of wrench and make it at right angle to the pipe, as in Fig.23).
- (4) Use sponge to wrap the un-insulated connection pipe and joint. Then tie the sponge tightly with plastic tape.
- (5) Connection pipe should be supported by a bearer rather than the unit.
- (6) The bending angle of piping should not be too small; otherwise the piping might have cracks. Please use a pipe bender to bend the pipe.
- (7) When connecting IDU with connection pipe, do not pull the big and small joints of IDU with force in case the capillary tube or other tubes have cracks and cause leakage.
- (8) When connecting IDU with connection pipe, do not pull the big and small joints of IDU with force in case the capillary tube or other tubes have cracks and cause leakage.

Pipe diameter	Tightening torque
Φ6.35mm(1/4 inch)	15~30(N·m)
Φ9.52mm(3/8 inch)	35~40(N·m)
Φ12.7mm(1/2 inch)	45~50(N·m)
Φ15.9mm(5/8 inch)	60~65(N·m)

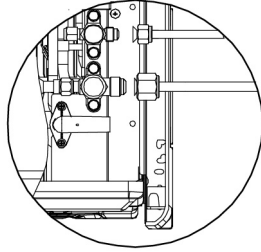


Fig. 22

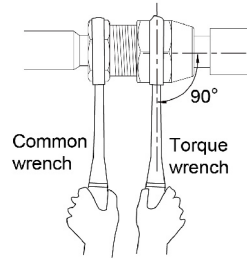


Fig. 23

4.5.5 Outdoor Pipe Connection

Twist the flared nut on the connection pipe of outdoor valves. Twisting method is the same as for indoor pipe connection.

During engineering installation, the connection pipe inside the unit must be wrapped by insulation sleeve.

Below is the piping diagram of GMV-12WP/A-T(U). According to customer requirement or space limit, outlet pipe can be installed from the front, right or rear side.

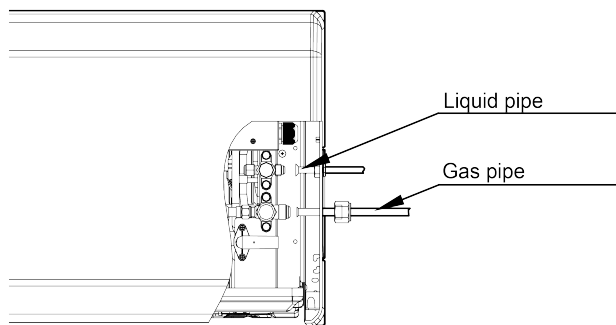


Fig.24

4.5.6 Installation of Y-type Branch

(1) Y-type Branch.

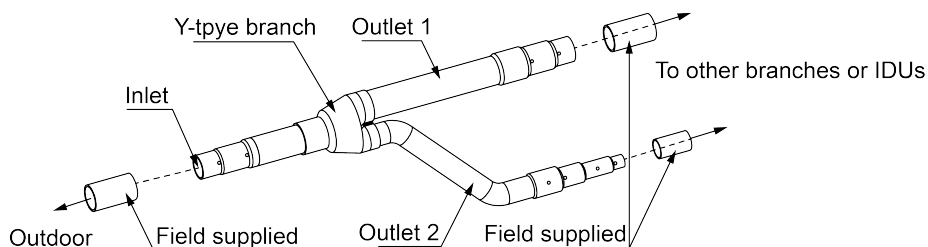


Fig. 25

(2) Y-type branch has several pipe sections with different dimension, which facilitates to match with various copper pipes. Use pipe cutter to cut in the middle of the pipe section that is of proper dimension and remove burrs as well. See Fig.26.

- (3) Y-type branch must be installed vertically or horizontally.

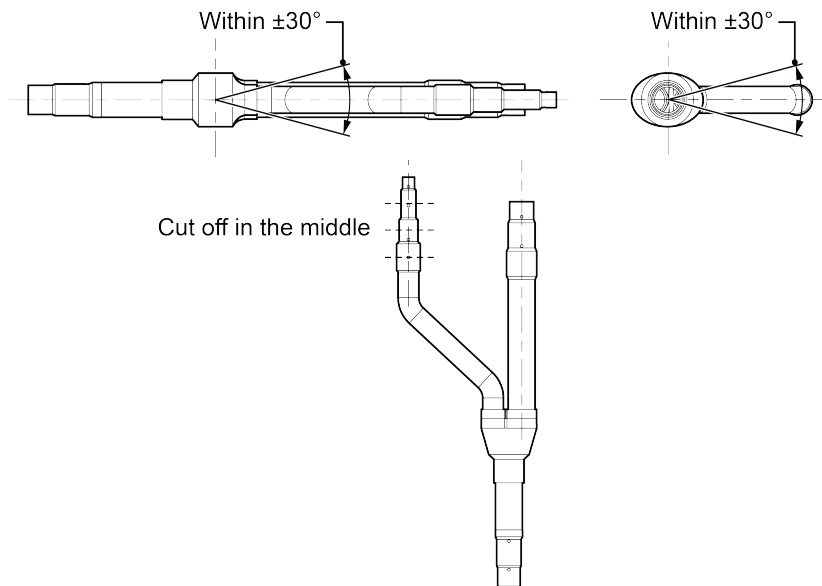


Fig. 26

- (4) Branch shall be isolated by insulating material that can bear 120° or even higher temperature. The attached foam of branch cannot be taken as insulating material.

4.5.7 Thermal Insulation for Pipeline

- (1) For multi VRF system, every copper pipe should be labeled so as to avoid misconnection.
- (2) At the branch inlet, leave at least 500mm (19-2/3inch) straight pipe section.
- (3) Thermal insulation for pipeline
 - 1) To avoid condensate or water leakage on the connection pipe, the gas pipe and liquid pipe must be wrapped with thermal insulating material and adhesive tape for insulation from the air.
 - 2) Thermal insulating material shall be able bear the pipe temperature. For heat pump unit, liquid pipe should bear 70°C (158°F) or above and gas pipe should bear 120°C (248°F) or above. For cooling only unit, both liquid pipe and gas pipe should bear 70°C (158°F) or above.
 - 3) Example: Polyethylene foam (bear 120°C (248°F) or above); foaming polyethylene (bear 100°C (212°F) or above).
 - 4) Joints of indoor and outdoor unit should be wrapped with insulating material and leave no gap between pipe and wall. See Fig.27.

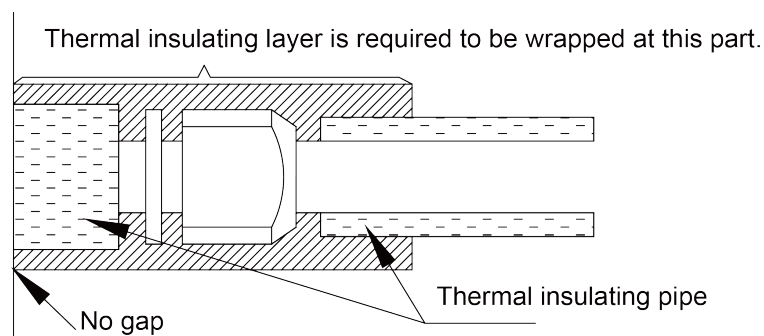


Fig. 27

- 5) Thermal insulating material of branches should be the same as that of the pipeline. The attached foam of branches cannot be taken as insulating material.
- 6) When wrapping the tape, the later circle should cover half of the former one. Don't wrap the tape too tight, otherwise the insulation effect will be weakened.
- 7) After wrapping the pipe, apply sealing material to completely seal the hole on the wall.

4.5.8 Support and Protection of Pipeline

- (1) Support should be made for hanging connection pipe. Distance between each support cannot be over 1m (3-1/4feet).
- (2) Protection against accidental damage should be made for outdoor pipeline. When pipeline exceeds 1m (3-1/4feet), a pinch board should be added for protection.

4.6 Vacuum Pumping, Refrigerant Adding

4.6.1 Vacuum Pumping

- (1) Outdoor unit has been charged with refrigerant before delivery. Field-installed connection pipe needs to be charged with additional refrigerant.
- (2) Confirm whether outdoor liquid and gas valves are closed.
- (3) Use vacuum pump to withdraw the air inside indoor unit and connection pipe from the outdoor valve, as shown below.

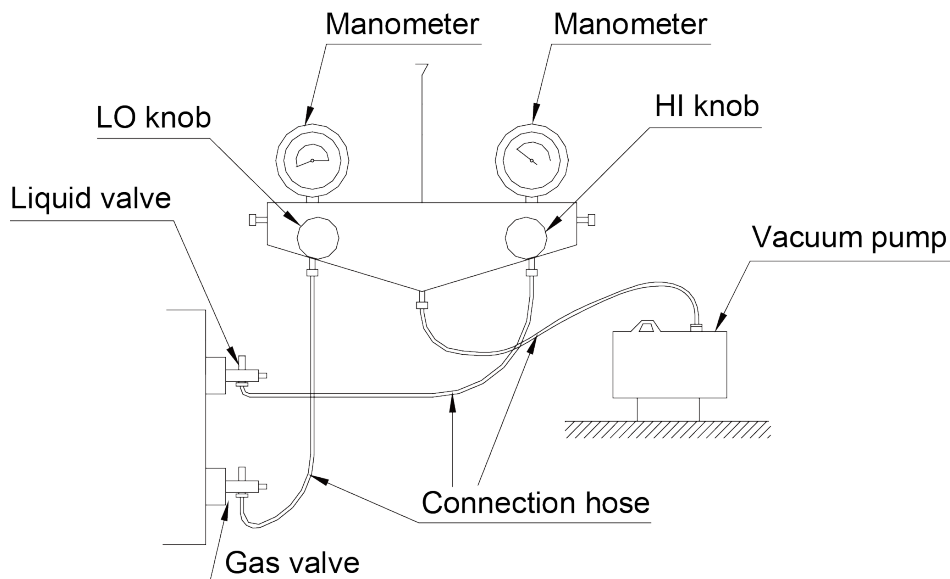


Fig. 28

4.6.2 Refrigerant Adding

- (1) Refrigerant quantity of outdoor unit before delivery:

Model	GMV-12WP/A-T(U)
Refrigerant Qty (kg/oz)	0.8(28.2)

NOTICE

- (1) The refrigerant amount charged before delivery doesn't include the amount that needs to be added to indoor units and the connection pipeline.
- (2) Length of connection pipe is decided on site. Therefore the amount of additional refrigerant shall be decided on site according to the dimension and length of field-installed liquid pipe.
- (3) Record the amount of additional refrigerant for convenience of after-sales service.

(2) Calculation of the amount of additional refrigerant.

Calculation method of the quantity of additional refrigerant (based on liquid pipe)

Quantity of additional refrigerant = Quantity of additional refrigerant for each set of indoor unit:

$0.2\text{kg (7oz)} + \sum \text{length of liquid pipe} \times \text{quantity of additional refrigerant per meter}$

Diameter of liquid pipe(mm/inch)	Φ22.2(Φ7/8)	Φ19.05(Φ3/4)	Φ15.9(Φ5/8)	Φ12.7(Φ1/2)	Φ9.52(Φ3/8)	Φ6.35(Φ1/4)
kg/m	0.35	0.25	0.17	0.11	0.054	0.022
oz/inch	0.314	0.224	0.152	0.099	0.048	0.020

First confirm that there is no leakage from the system. When compressor is not working, charge additional R410A with specific amount to the unit through the filling opening of the liquid pipe valve of the outdoor unit. If required amount cannot be quickly filled due to pressure increase of the pipe, then set the unit in cooling startup and fill refrigerant from the low pressure check valve of the outdoor unit.

(3) Calculation example.

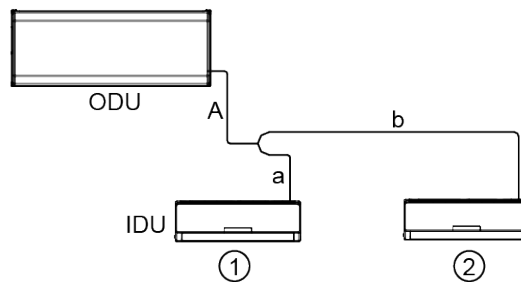


Fig. 29

IDU:

No.	IDU ①	IDU ②
Model	Wall-mounted type GMV-ND06G/B4B-T(U)	Wall-mounted type GMV-ND06G/B4B-T(U)

Liquid pipe:

No.	A	a	b
Pipe size(mm/inch)	Φ6.35(Φ1/4)	Φ6.35(Φ1/4)	Φ6.35(Φ1/4)
Length(m/feet)	5(16-3/8)	5(16-3/8)	5(16-3/8)

Total length of each liquid pipe

Φ6.35: $A+a+b = 5+5+5=15\text{m (49-1/8feet)}$

Quantity of indoor unit: 2 sets

Therefore, the minimum quantity of additional refrigerant $= 0.2 \times 2 + 15 \times 0.022 = 0.73\text{kg}(25.7\text{oz})$

4.7 Electric Wiring

4.7.1 Notices for Wiring

- (1) Install units according to national wiring codes.
- (2) Use air conditioner specialized power supply and make sure that it is consistent with system's rated voltage.
- (3) Do not pull the power cord with force.
- (4) All electrical installation must be performed by qualified technicians in accordance with local laws, regulations and this user manual.
- (5) Caliber of the power cord must be large enough. A damaged power cord or connection wire must be replaced by specialized electrical cords.

- (6) If the supply cord is damaged, it must be replaced by the manufacturer or its service agent or a similarly qualified person in order to avoid a hazard.
- (7) An all-pole disconnection device which has at least 3mm (1/8inch) clearances in all poles and disconnection must be incorporated in the fixed wiring in accordance with the wiring rules.

(8) Details of type and rating for fuse:

Model: GMV-12WP/A-T(U).

Ceramic 250V5A (front main board), ceramic 250V30A (front main board).

Connect the unit to specialized grounding device and make sure it is securely grounded. It's a must to install air switch and current circuit breaker that can cut off the power of the entire system. The circuit breaker should include magnetic trip function and thermal trip function so that system can be protected from short circuit and overload.

(9) Grounding Requirements.

- 1) Air conditioner belongs to class I electrical appliance, so it must be securely grounded.
- 2) The yellow-green wire inside the unit is a ground wire. Do not cut it off or secure it with tapping screws, otherwise it will lead to electric shock.
- 3) Power supply must include secure grounding terminal. Do not connect the ground wire to the following:
 - ①Liquid pipe; ②Gas pipe; ③Drain pipe;
 - ④Other places that are deemed as not secure by professional technicians.

⚠ WARNING
(1) Before starting work, check that power is not being supplied to the indoor unit and outdoor unit.
(2) Match the terminal block numbers and connection cord colors with those of the indoor unit side. Erroneous wiring may cause burning of the electric parts.
(3) Connect the connection cords firmly to the terminal block. Imperfect installation may cause a fire.
(4) Always fasten the outside covering of the connection cord with cord clamps (If the insulator is not clamped, electric leakage may occur).
(5) Always connect the ground wire.

4.7.2 Wiring Diagram

- (1) Connection of power cord and communication wire Separate power supply for IDU and ODU Single-phase power supply unit.

GMV-12WP/A-T(U):

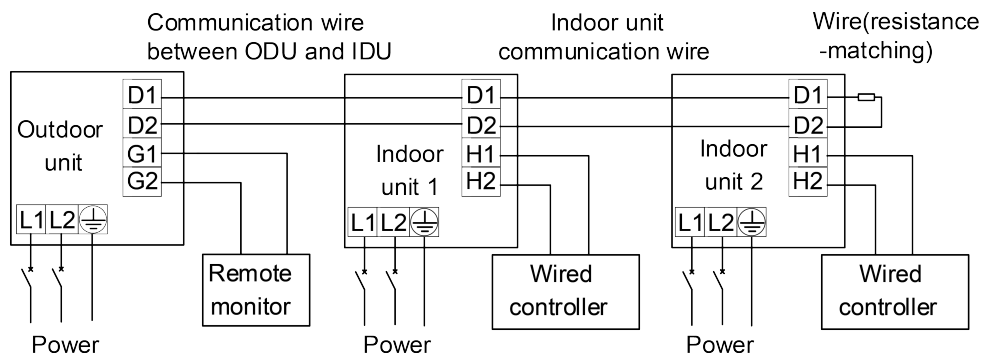


Fig.30 Connection of power cord and communication wire for IDU and ODU

(2) Selection of circuit breaker and power cord.

Model	Power supply	Max Fuse Size/Fusable Max. (A)	Max Ckt, Bkr Size/Disjoncteur Max. (A)	Min. Circuit Ampacity (A)
GMV-12WP/A-T(U)	208V/230V ~60Hz	15	15	13.5

NOTICE

- (1) Selection of circuit breaker and power cord in the above table is based upon unit's maximum power (maximum current).
- (2) Specification of power cord is based on the working condition where ambient temperature is 40°C (104°F) and multi-core copper cable (working temperature is 90°C (194°F), e.g. power cable with YJV cross-linked copper, insulated PE and PVC sheath) is lying on the surface of slot. If working condition changes, please adjust the specification according to national standard.
- (3) Specification of circuit breaker is based on the working condition where ambient temperature of circuit breaker is 40°C (104°F). If working condition changes, please adjust the specification according to national standard.

4.7.3 Engineering Wiring of Power Supply and Communication Cable

- (1) Please refer Fig. 31 for engineering wiring. If there is the hole for cable tie in wiring route, please fix the wire with cable tie. Connect the power cord and communication cable to the corresponding terminal board and grounding screw according to the wiring diagram.
- (2) Please be noted that engineering wiring cannot touch the pipe and appliance.
- (3) This figure is only applicable for engineering wiring reference of power supply and communication cable. If there are differences between the figure structure and actual unit, please refer to the actual unit.
- (4) For engineering wiring, please refer to the wiring diagram provided with the unit.

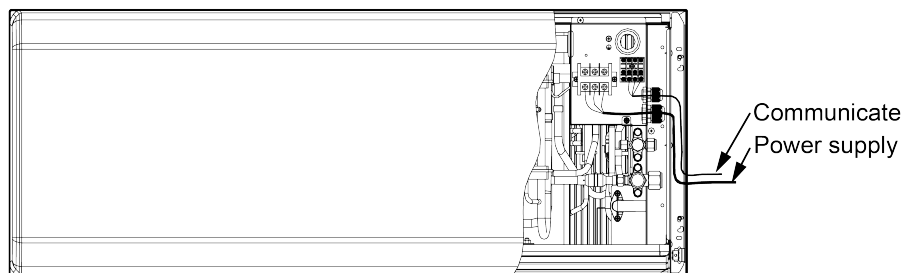


Fig. 31

5 Check Items after Installation and Test Operation

5.1 Check Items after Installation

Check items	Possible conditions due to improper installation	Check
Each part of the unit is installed securely?	Unit may drop, shake or emit noise.	
Gas leakage test is taken or not?	Insufficient cooling (heating) capacity.	
Unit gets proper thermal insulation or not?	There may be condensation and dripping.	
Drainage is smooth or not?	There may be condensation and dripping.	
Is the voltage in accordance with the rated voltage specified on the nameplate?	Unit may have malfunction or components may get damaged.	
Is the electric wiring and pipe connection installed correctly?	Unit may have malfunction or components may get damaged.	
Unit is securely grounded or not?	Electrical leakage.	
Power cord meets the required specification?	Unit may have malfunction or components may get damaged.	
Is the air inlet/outlet blocked?	Insufficient cooling (heating) capacity.	
Length of refrigerant pipe and the charging amount of refrigerant are recorded or not?	The refrigerant charging amount is not accurate.	
Binding pieces on compressor feet are removed or not?	Compressor may get damaged.	

5.2 Test Operation and Debugging

NOTICE	
(1)	After finishing the first installation or replacing the main board of outdoor unit, it is necessary to perform test operation and debugging. Otherwise, unit won't be able to work.
(2)	Test operation and debugging must be performed by professional technicians or under the guidance of professional technicians.

5.2.1 Prepare the Test Operation and Debugging

- (1) Do not connect power until all installation work is finished.
- (2) All control circuits and wires are correctly and securely connected.
- (3) Check whether the fixing loops for compressor feet are removed.
- (4) All small pieces, especially metal chips, thread ends and forceps holder, must be removed from the unit.
- (5) Check whether unit's appearance and pipeline system has been damaged during transportation.
- (6) Calculate the quantity of refrigerant that needs to be added according to the pipe length. Pre-charge the refrigerant. In case that the required charging quantity is not reached while refrigerant can't be added, record the quantity of refrigerant that still needs to add and complement the quantity during test operation. For details of adding refrigerant during test operation, see below.
- (7) After refrigerant is added, make sure valves of outdoor unit are completely open.
- (8) For the convenience of troubleshooting during debugging, unit shall be connected to a PC with applicable debugging software. Make sure unit's real-time data can be checked through this computer. The installation and connection of debugging software can be found in the Service Manual.
- (9) Before test operation, make sure unit is power on and compressor has been preheated for more than 8 hours. Touch the unit to check whether it's normally preheated. If yes, start test operation. Otherwise, compressor might be damaged.

5.2.2 Test Operation and Debugging

Description of test operation procedures and main board display of ODU

Description of each stage of debugging progress			
—	Debugging code		Code meaning and operation method
Progress	LED		
	Code	Display status	
01_Set master unit	A0	ON	System is not debugged, hold main board's SW3 button for 5s to start debugging.
	01	ON	2s later, next step starts.
02_Allocate addresses	02/Ad	Display circularly	System is allocating addresses. 10s later, display as below.
	02/L7	Display circularly	No master indoor unit. Display will be on for 1min, during which master IDU can be set manually. If not, system will set the unit with minimum IP address as the master IDU.
	02/oC	Display circularly	Allocation is finished. 2s later, next step starts.
03_Confirm the quantity of ODU	03/01	Display circularly	System is confirming. 1s later, next step starts.
04_Confirm the quantity of IDU	04/00~16	Display circularly	"00~16" displays the quantity of indoor unit. Confirm the number manually. If the number is not consistent the display one, cut off power of IDU and ODU and check whether communication wire of IDU is correctly connected. After the check, connect power and start debugging from progress 01. If the number is then correct, press main board's SW3 button to confirm. Then the display is as below.
	04/oC	Display circularly	System has confirmed the quantity. 2s later, next step starts.
	00~16	Display circularly	"00~16" displays the quantity of indoor unit identified by the system.
05_Detect ODU's internal communication and capacity ratio	05/C2	Display circularly	Communication between master ODU and driver has error. Check the communication connection of ODU's main board and drive board. When the error is eliminated, start next step. If power is off during troubleshooting, then restart debugging from progress 01 after power is on.
	05/oC	Display circularly	Communication of master ODU and driver is normal. Unit will display as in the left for 2s and detect the capacity ratio of IDU and ODU. If the ratio is within range, then next step will start 2s later. If the ratio is out of range, unit will display as below.
	05/CH	Display circularly	Rated capacity ratio of IDU is too high. Change the combination way of IDU and ODU to make the ratio within range. And restart debugging from progress 01.
	05/CL	Display circularly	Rated capacity ratio of IDU is too low. Change the combination way of IDU and ODU to make the ratio within range. And restart debugging from progress 01.
06_Detect outdoor components	06/error code	Display circularly	Outdoor component's error. Besides "06", the other blinking will display the related error code. After errors are eliminated, system will start next step automatically. If power is off during troubleshooting, then restart debugging from progress 01 after power is on.
	06/oC	Display circularly	System detects no error on outdoor component. 10s later, next step starts.

Description of each stage of debugging progress			
—	Debugging code		Code meaning and operation method
Progress	LED		
	Code	Display status	
07_ Detect indoor components	07/XX/error code	Display circularly	System detects error on indoor components. XX means the project code of IDU with error, e.g. no.1 IDU has d5 and d6 errors, meanwhile no.3 IDU displays error d6 and d7, then the nixie tube will display “07”, “01”, “d5”, “d6”and “03” circularly. After errors are eliminated, system will start next step automatically. If power is off during troubleshooting, then restart debugging from progress 01 after power is on.
	07/XXXX/error code	Display circularly	If errors occur in IDU which the project code is ≥ 3-digit number, then it will display the 2 big digits of project code first, then the 2 small digits, finally the error code, e.g.: L1 error occurs in no.101 IDU, then the nixie tube will display “01”,“01” and “L1” circularly. Display method is the same for several IDUs with multiple errors.
	07/oC	Display circularly	No error on components of IDU. 5s later, next step starts.
08_ Confirm preheated compressor	08/U0	Display circularly	Preheat time for compressor is less than 8 hours. Display will be as in the left until the preheat time reaches 8 hours. Press main board's SW3 button to confirm manually that the preheat time has reached 8 hours. Then start next step (Note: Compressor may get damaged if it is started without 8 hours of preheat time).
	08/oC	Display circularly	Compressor has been preheated for 8 hours. 2s later, next step starts.
09_ Refrigerant judgments before startup	09/U4	Display circularly	System is lack of refrigerant and display will be as in the left. Please cut off power of IDU and ODU and check if there is leakage on pipeline. Solve the leakage problem and complement refrigerant into the unit. Then connect power and restart debugging from progress 01 (Note: Before re-charging refrigerant, unit must be power off in case system starts progress 10 automatically).
	09/oC	Display circularly	Refrigerant is normal and unit will display as in the left for 2s. Then next step starts.
10_ Status judgments of outdoor valves before startup	10/on	Display circularly	Valves of ODU are being inspected. Compressor will start operation for 2min or so and then stop. The opening and closing status of outdoor valves are as below.
	10/U6	Display circularly	Outdoor valves are not fully turned on. Press main board's SW4 button and display shows “09/OC”. Then check if the gas and liquid valves of ODU are completely open. After confirmation, press the SW4 button again. Then compressor will start running for about 2min to inspect the status of valves.
	10/oC	Display circularly	Valves status is normal. Unit will display as in the left for 2s and then start next step.
12_ Confirm debugging startup	12/AP	Display circularly	Ready for units to start debugging. Press main board's SW3 button to confirm startup of debugging. 2s later, main board will display as below.
	12/AE	Display circularly	Startup is confirmed. After displaying for 2s, system will choose “15_Cooling debugging” or “16_Heating debugging” according to ambient temperature. If the project requests to add refrigerant but it is not complemented before debugging, then refrigerant can be added in this process through the L-VALVE.

Description of each stage of debugging progress			
—	Debugging code		Code meaning and operation method
Progress	LED		
	Code	Display status	
15_ Cooling debugging	15/AC	Display circularly	Debugging for cooling mode. If no malfunction occurs for 50min when compressor is running, then the system is certified as normal. After shutting down the unit for 5s, the system will enter normal standby status.
	15/error code	Display circularly	Malfunction occurs when debugging for cooling mode.
16_ Heating debugging	16/AH	Display circularly	Debugging for heating mode. If no malfunction occurs for 50min when compressor is running, then the system is certified as normal. After shutting down the unit for 5s, the system will enter normal standby status.
	16/error code	Display circularly	Malfunction occurs when debugging for heating mode.
17_ Debugging finished	oF	ON	The entire unit has finished debugging and under standby-by condition.

5.2.3 Appendix: Reference of Normal Operation Parameters

No.	Debug item	Parameter name	Unit	Reference		
1	System parameters	ODU parameters	Outdoor temperature	°C(°F)	—	
2			Compressor discharge temp	°C(°F)	<ul style="list-style-type: none"> When compressor starts, discharge temp in cool mode is within 70~105°C (158~221°F) and at least 10°C (50°F) higher than the high pressure saturation temp. As for temp in heat mode, it is within 65~90°C (149~194°F) and at least 10°C (50°F) higher than the high pressure saturation temp. 	
3			Defrosting temp	°C(°F)	<ul style="list-style-type: none"> In cool mode, defrosting temp is 4~10°C (39~50°F) lower than system's high pressure value. In heat mode, defrosting temp is about 3°C (37°F) different from system's low pressure value. 	
4			condensing temp	°C(°F)	<ul style="list-style-type: none"> In cool mode, the normal condensing temp is within 20~58°C (68~136°F). According to the change of ambient temp and system's operating capacity, the condensing temp will be 10~30°C(50~86°F) higher than ambient temp. The higher ambient temp is, the smaller temp difference is. If ambient temp is 25~35°C (77~95°F) in cool mode, system's condensing temp will be within 44~58°C (111~136°F). In heat mode, if ambient temp is above -5°C(23°F), system's condensing temp is within 40~52°C(104~126°F). If ambient temp is low and many IDUs are turned on, the condensing temp will be lower. 	
5			evaporating temp	°C(°F)	<ul style="list-style-type: none"> When ambient temp in cool mode is 25~35°C (77~95°F), the evaporating temp is 0~10°C (32~50°F). When ambient temp in heat mode is above -5°C(23°F), the evaporating temp is -15~10°C(5~50°F). 	
6			Opening angle of thermal EXV	PLS	<ul style="list-style-type: none"> In cool mode, the thermal electronic expansion valve remains 480PLS. In heat mode, the adjustable opening angle of EXV is 55~480PLS. 	
7			Compressor's operating freq	Hz	Changes in 10~75Hz.	
8			Compressor's operating current	A	When compressor works normally, the current is no more than 13.3A.	
9			Compressor's IPM temp	°C(°F)	When ambient temp is below 35°C (95°F), IPM temp is lower than 80°C (176°F) and the highest temp won't be above 95°C (203°F).	
10			Fan motor's operating freq	Hz	Changes in 0~70Hz according to system's pressure.	
11			IDU parameters	IDU ambient temp	°C(°F)	—
12				Indoor heat exchanger's inlet temp	°C(°F)	<ul style="list-style-type: none"> According to ambient temp, for a same IDU in cool mode, the inlet temp will be 1~7°C (34~45°F) lower than the outlet temp, and 4~9°C (39~48°F) higher than the condensing temp. For a same IDU in heat mode, the inlet temp will be 10~20°C (50~68°F) lower than the outlet temp.
13						Opening angle of indoor EXV
14				Communication parameters	Communication data	—

No.	Debug item	Parameter name	Unit	Reference
16	Drainage system	—	—	Indoor unit can drain water out completely and smoothly. Condensate pipe has no backward slope of water; Water of outdoor unit can be drained completely through drainage pipe. No water drop from unit base.
17	Others	—	—	Compressor and indoor/outdoor fan motor do not have strange noise. Unit can operate normally.

6 Common Malfunctions and Troubleshooting

WARNING

- (1) If an abnormal situation (such as peculiar smell) occurs, please stop the operation immediately and turn off the main power supply, and then contact Gree authorized maintenance center. If the unit continues to operate under abnormal situation, the air conditioner will be damaged and an electric shock or fire accident may result.
- (2) Do not maintain the air conditioner by yourself, misoperation may cause electric shock or fire hazard. Please contact professional personnel of Gree authorized maintenance center to maintain.

(1) Please check the items below before calling for maintenance.

Problems	Causes	What to do
Unit doesn't work.	Fuse or circuit breaker is cut off.	Replace fuse or reset the circuit breaker.
	Power failure.	Restart unit when power is restored.
	Power supply is not connected.	Connect the power.
	Remote controller's power is not enough.	Replace new battery.
	Remote controller is out of the control range.	Control range is within 8m.
Unit runs but stops immediately.	Air inlet or air outlet of indoor and outdoor units is blocked.	Clear obstructions.
Abnormal cooling or heating.	Air inlet or air outlet of indoor and outdoor units is blocked.	Clear obstructions.
	Improper temp setting.	Adjust setting at remote controller or wired controller.
	Fan speed is set too low.	Adjust setting at remote controller or wired controller.
	Wind direction is not correct.	Adjust setting at remote controller or wired controller.
	Door or window is open.	Close the door or window.
	Direct sunshine.	Draw curtain or louver.
	Too many people in the room.	—
	Too many heat resources in the room.	Reduce heat resources.
Filter is blocked and dirty.	Clean the filter.	

NOTE

If problem cannot be solved after checking the above items, please contact Gree service center and describe the cases and models.

(2) Following circumstances are not malfunctions.

Malfunction		Reason
Unit doesn't run.	Unit starts up immediately after it is turned off.	Overload protection switch makes it run after a 3-min delay.
	Power is just turned on.	Standby operation lasts for about 1min.
Mist comes from the unit.	Under cooling.	Indoor air with high humidity is cooled rapidly.
Noise is emitted	When the power supply is connected, there is small "dada" sound.	It is the sound of startup action of electronic expansion valve.
	When the system is conducting cooling or defrosting, there is continuous "sa——" sound.	This is the sound of refrigerant flowing inside the unit.
	When the system is switching cooling and heating modes; during heating operation, the unit enters or quits defrosting operation or oil return operation, there is "chi——" sound.	This is the sound for direction reversal of 4-way valve.
	When the system is started or stopped for a short time, you can hear the sound of "sa——"; you can also hear this sound for a short time after the start or stop of the defrosting operation.	This is the sound produced when the refrigerant stops or changes the flow.
	When the system is in cooling operation or after it stops running, a continuous "sa ——" sound can be heard	This is the operation sound of drain system.
	When the system is running or after it stops running, a "creaking" sound can be heard.	This is the sound produced when plastic parts such as panel expansion and contraction due to temperature changes.
	When the system is in heating operation, after the indoor unit stops running, the sound like running water can be heard.	The unit is melting the frost on the outdoor unit, please wait about 10 minutes (due to different unit models, the waiting time will vary).
	When the indoor unit stops running, a faint "sa ——" sound or "gurgling" sound can be heard.	This sound can be heard when other indoor units are running. This is to prevent oil and refrigerant from staying in the indoor unit, and to keep a small amount of refrigerant flowing.
	When the unit is running, the operating sound of the compressor changes.	This is caused by changes in compressor operating frequency.
	During the operation of the unit or after the operation is started or stopped, a continuous "sa ——" sound can be heard.	This is the sound produced when the refrigerant bypass valve operates.
When the operating mode of the unit changes, the indoor unit and outdoor unit will produce "sa ——" and "gurgling" sounds.	This is the sound produced when the refrigerant stops or changes flow.	
The sound from the outdoor unit can be heard indoors	This is because the outdoor unit is installed close to the window or wall, and the sound insulation is poor, and the external noise is transmitted in.	
There is dust blowing out from the unit	Start operation after it is not used for a long time	Dust in indoor unit is blew out
The unit emits odor	Operating	The odor of the air conditioner is sucked into the room and then blown out
The indoor unit is still running after shutting down	The indoor unit is still running after shutting down	The fan of indoor unit will continue to work for 20 to 70 seconds to fully use the residual cooling or heat of the heat exchanger, and to prepare for the next use.

Malfunction		Reason
Mode conflict	Cooling or heating mode cannot start up	When the selected operation mode of the indoor unit conflicts with the operation mode of the outdoor unit, after five seconds, the indoor unit error indicator flashes or the remote controller displays the operation conflict, and the indoor unit shuts down. At this time, the indoor unit can be converted to run with the outdoor unit. The mode can be restored to normal without conflict. The cooling mode and dry mode do not conflict, and the air supply does not conflict with any mode.

7 Error Indications

Inquiry method of error indication: combine division symbol and content symbol to check the corresponding error.

Indoor:

Error Code	Content	Error Code	Content	Error Code	Content
L0	Indoor Unit Error	L9	Quantity Of Group Control Indoor Units Setting Error	d7	Humidity Sensor Error
L1	Indoor Fan Protection	LA	Indoor Units Incompatibility Error	d8	Water Temperature Sensor Error
L2	E-heater Protection	LH	Low Air Quality Warning	d9	Jumper Cap Error
L3	Water Full Protection	LC	Outdoor-Indoor Incompatibility Error	dA	Indoor Unit Hardware Address Error
L4	Wired Controller Power Supply Error	d1	Indoor Unit Circuit Board Error	dH	Wired Controller Circuit Board Error
L5	Anti-freezing Protection	d3	Ambient Temperature Sensor Error	dC	Capacity DIP Switch Setting Error
L7	No Master Indoor Unit Error	d4	Inlet Pipe Temperature Sensor Error	dL	Outlet Air Temperature Sensor Error
L8	Power Insufficiency Protection	d6	Outlet Pipe Temperature Sensor Error	dE	Indoor Unit CO ₂ Sensor Error
o1	Over low voltage of IDU bus	o2	Over high voltage of IDU bus	o3	IDU IPM module protection
o4	IDU startup failure	o5	IDU overcurrent protection	o6	IDU current detecting circuit error
o7	IDU non-synchronism protection	o8	IDU drive communication error	o9	Communication error of IDU master controller
oA	Over high temperature of IDU module	ob	Temperature sensor error of IDU module	oC	IDU charging circuit error
o0	Other drive error	db	Special Code: Field Debugging Code	—	—

Outdoor:

Error Code	Content	Error Code	Content
E0	Malfunction of ODU (uniform)	F0	Main board of ODU is poor
E1	High-pressure protection	F1	Malfunction of high-pressure sensor
E2	Discharge low-temperature protection	F3	Malfunction of low-pressure sensor
E3	Low-pressure protection	F5	Malfunction of discharge temperature sensor of compressor 1
E4	High discharge temperature protection of compressor	FP	Malfunction of DC motor
E5	High discharge temperature protection of compressor 1	b1	Malfunction of outdoor ambient temperature sensor
EC	Drop protection of discharge temperature sensor of compressor 1	b2	Malfunction of defrosting temperature sensor 1

Error Code	Content	Error Code	Content
J1	Over-current protection of compressor 1	b4	Malfunction of liquid temperature sensor of sub-cooler
J7	Gas-mixing protection of 4-way valve	b5	Malfunction of gas temperature sensor of sub-cooler
J8	High pressure ratio protection of system	b6	Malfunction of inlet tube temperature sensor of vapor liquid separator
J9	Low pressure ratio protection of system	b7	Malfunction of exit tube temperature sensor of vapor liquid separator
JA	Protection because of abnormal pressure	b9	Malfunction of gas temperature sensor of heat exchanger
JC	Water flow switch protection (GMV-12WP/A-T(U) is Water Full Protection)	bA	Malfunction of oil-return temperature sensor 1
JL	Protection because high pressure is too low	bH	Clock of system is abnormal
P0	malfunction of driving board of compressor (uniform)	H0	Malfunction of driving board of fan (uniform)
P1	Driving board of compressor operates abnormally (uniform)	H1	Driving board of fan operates abnormally (uniform)
P2	Voltage protection of driving board power of compressor (uniform)	H2	Voltage protection of driving board power of fan (uniform)
P3	Reset protection of driving module of compressor	H3	Reset protection of driving module of fan
P4	Drive PFC protection of compressor	H4	Drive PFC protection of fan
P5	Over-current protection of inverter compressor	H5	Over-current protection of inverter fan
P6	Drive IPM module protection of compressor	H6	Drive IPM module protection of fan
P7	Malfunction of drive temperature sensor of compressor	H7	Malfunction of drive temperature sensor of fan
P8	Drive IPM high temperature protection of compressor	H8	Drive IPM high temperature protection of fan
P9	Desynchronizing protection of inverter compressor	H9	Desynchronizing protection of inverter fan
PH	High-voltage protection of compressor's drive DC bus bar	HH	High-voltage protection of fan's drive DC bus bar
PC	Malfunction of current detection circuit drive of compressor	HC	Malfunction of current detection circuit of fan drive
PL	Low voltage protection for DC bus bar of drive of compressor	HL	Low voltage protection of bus bar of fan drive
PE	Phase-lacking of inverter compressor	HE	Phase-lacking of inverter fan
PF	Malfunction of charging loop of driven of compressor	HF	Malfunction of charging loop of fan drive
PJ	Failure startup of inverter compressor	HJ	Failure startup of inverter fan
PP	AC current protection of inverter compressor	HP	AC current protection of inverter fan
Ed	Low temperature protection for drive module	—	—

Debugging:

Error Code	Content	Error Code	Content
U0	Preheat time of compressor is insufficient	C4	Malfunction of lack of IDU
U2	Wrong setting of ODU's capacity code/jumper cap	C5	Alarm because project code of IDU is inconsistent
U4	Refrigerant-lacking protection	C8	Emergency status of compressor

Error Code	Content	Error Code	Content
U5	Wrong address for driving board of compressor	C9	Emergency status of fan
U6	Alarm because valve is abnormal	CH	Rated capacity is too high
U8	Malfunction of pipeline for IDU	CC	Malfunction of lack of main control unit
U9	Malfunction of pipeline for ODU	CL	Rated capacity is too low
UC	Setting of main IDU is successful	CF	Malfunction of multiple main control units
UL	Wrong button-dial	CJ	Address DIP switch code of system is shocking
UE	Charging of refrigerant is invalid	CP	Malfunction of multiple wired controller
C0	Communication malfunction between IDU, ODU and IDU's wired controller	CU	Communication malfunction between IDU and the receiving lamp plate
C2	Communication malfunction between main control and inverter compressor driver	Cb	Overflow distribution of IP address
C3	Communication malfunction between main control and inverter fan driver	—	—

Status:

Error Code	Content	Error Code	Content
A0	Unit waiting for debugging	AP	Debugging confirmation when starting up the unit
A1	Inquiry of compressor operation parameters	AU	Long-distance emergency stop
A2	Refrigerant recovery operation of after-sales	Ab	Emergency stop of operation
A3	Defrosting	Ad	Limit operation
A4	Oil-return	n0	SE operation setting of system
A6	Heat pump function setting	n1	Setting of defrosting cycle K1
A7	Quiet mode setting	n2	Setting of upper limit of IDU/ODU capacity distribution ratio
A8	Vacuum pump mode	n4	Limit setting for max. capacity/output capacity
A9	IPLV test	n6	Inquiry of malfunction
AA	EU AA level EER test mode	n7	Inquiry of parameters
AH	Heating	n8	Inquiry of project code of IDU
AC	Cooling	nA	Heat pump unit
AL	Charge refrigerant automatically	nH	Heating only unit
AE	Charge refrigerant manually	nC	Cooling only unit
AF	Fan	nE	Negative code
AJ	Cleaning reminding of filter	nF	Fan model
q1	Anti-ice temperature setting under low temperature condition	qA	Heat recover status
q2	Shield setting for compressor frequency	qH	main body conducts heating
q3	Upper limit of correction value for target low pressure is Z0	qC	The main body conducts cooling
q4	Upper limit of correction value for target low pressure is Z2	qL	Static pressure setting
q5	Setting for general unit and high sensible heat unit (0 represents general, 1 represents high sensible heat)	qE	EVI operation status setting
q6	Setting for engineering ability correction factor θ	qF	Compulsory cooling mode

Error Code	Content	Error Code	Content
q7	Select Centigrade or Fahrenheit	qJ	Dual heat source water emptying
q8	Low temperature protection correction value for discharge	qy	Working mode of compressor heating zone
q9	Defrost mode setting	—	—

8 Maintenance and Care

Regular check, maintenance and care can extend unit's service life. Please have specialized person in charge of the management of air conditioners.

8.1 Outdoor Heat Exchanger

Outdoor heat exchanger shall be cleaned regularly, which is at least once every two months. You can use a dust catcher with nylon brush to clean away the dust on the heat exchanger. If compressed air source is available, it also can be used to clean the heat exchanger. Do not clean it with water.

8.2 Drain Pipe

Please check regularly whether drain pipe is blocked or not. Make sure condensate can be drained out smoothly.

8.3 Notice before Seasonal Use

- (1) Check whether air inlets and air outlets of indoor and outdoor units are blocked.
- (2) Check whether ground connection is reliable or not.
- (3) Check whether batteries in the remote controller are replaced or not.
- (4) Check whether air filter is properly installed.
- (5) If unit starts up after not operating for a long time, it should be power on 8 hours before operation starts so as to preheat the outdoor compressor.
- (6) Check whether outdoor unit is securely installed. If there is any problem, please contact Gree authorized service center.

8.4 Maintenance after Seasonal Use

- (1) Disconnect power of the entire system.
- (2) Clean the air filter and outer case of indoor and outdoor units.
- (3) Clean away the dust and obstacles on indoor and outdoor units.
- (4) If outdoor unit has rust, please apply some paint to it so as to prevent the rust from growing.

8.5 Parts Replacement

Parts and components can be obtained from nearby Gree office or Gree distributor.

NOTICE

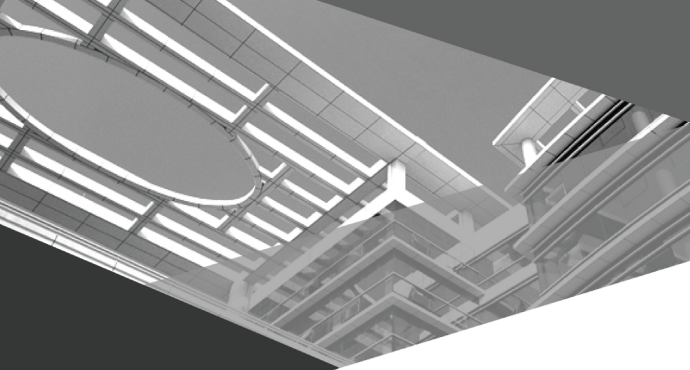
When you are conducting air tightness test and leakage test, do not mix oxygen, C₂H₂ or other dangerous gas into the refrigerant circuit. Otherwise, it may lead to danger. Use nitrogen or refrigerant to conduct the tests.

9 After-sales Service

If there's quality defect or other problems in the product, please contact Gree local after-sales service department for help.

Warranty must be based on the following conditions:

- (1) Product's initial startup must be performed by professional technicians from Gree service center or persons assigned by Gree.
- (2) Only Gree spare parts are used.
- (3) All instructions of unit operation and maintenance in this manual must be strictly followed according to set period and set frequency.
- (4) Any breach of the above conditions will disable the warranty.



GREE ELECTRIC APPLIANCES, INC. OF ZHUHAI

Add: West Jinji Rd, Qianshan, Zhuhai, Guangdong, China, 519070

Tel: (+86-756) 8522218

Fax: (+86-756) 8669426

E-mail: global@cn.gree.com www.gree.com



600005061205