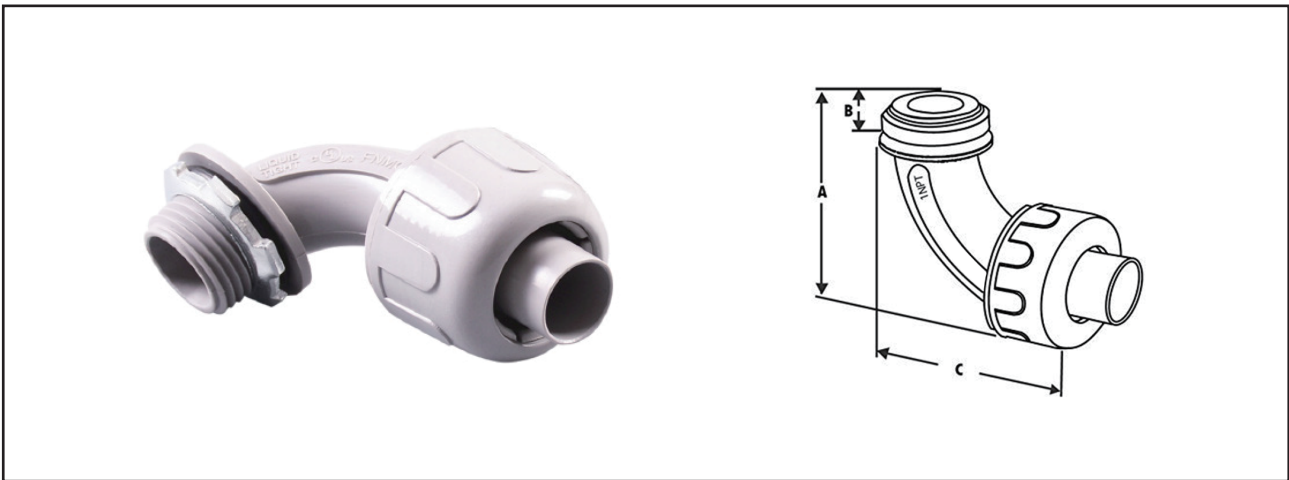


## 90 Degree Liquid Tight Connector for Nonmetallic Conduit

Models: LBNLTC90



### General Description

- UL Listed.
- "O" Ring and steel locknut included.
- Standard NPT Threads.
- Suitable for indoor/outdoor use, will not crack or degrade when exposed to sunlight, will not corrode or oxidize.
- Nonmetallic connectors are intended to be used with liquid tight nonmetallic conduit, they should not be used with steel conduit.

Part	Trade Size	A (in)	B (in)	C (in)
LBNLTC90-3	3/8"	2-1/8	1/2	3-1/8
LBNLTC90-4	1/2"	2-1/8	1/2	3-1/8
LBNLTC90-6	3/4"	2-1/2	33/64	3-39/64
LBNLTC90-8	1"	3-1/8	45/64	4-1/8
LBNLTC90-10	1-1/4"	4-29/64	49/64	5-13/64
LBNLTC90-12	1-1/2"	4-3/4	51/64	5-13/64
LBNLTC90-16	2"	5-27/64	55/64	5-51/64