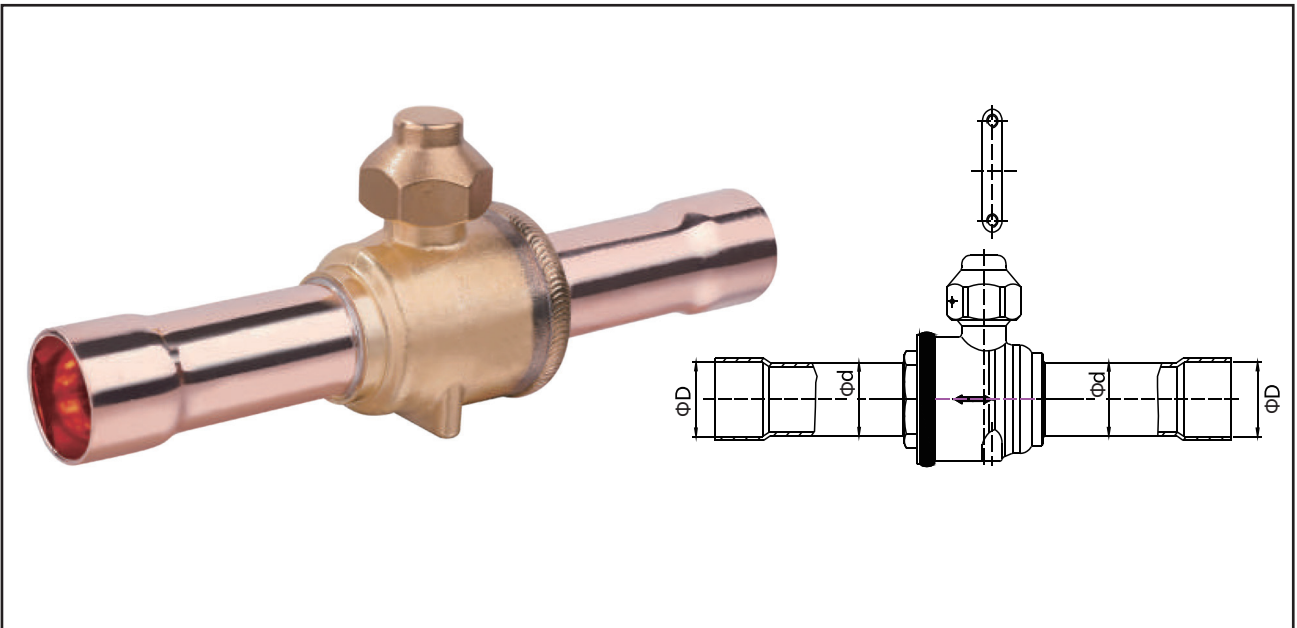


## Bi-flow Shut-off Ball Valve ODF x ODF

**Models: LBSBVA**



### General Description

- Manually regulated shut-off valve.
- Can be used on liquid, air suction and hot vapor piping of freezer, cold store and air conditioning unit.
- The valve is perfectly sealed with modified PTFE sealing.
- The ball valve is equipped with a secondary sealing cap to prevent any mistaken operation in maintenance.
- The valve is a through-type bi-flow ball valve with no pressure drop in flow.
- Only turn 1/4 circle to fully open or close the valve, built-in stopper for accurate positioning.
- Argon welded structure.
- Anti-explosion valve stem design.
- Access port (for charging and inspection) is available on customer request.

**Bi-flow Shut-off Ball Valve      ODF x ODF****Technical Data**

- Applicable Refrigerant: HCFC and HFC
- Applicable Medium Temperature: -40 ~ 300°F (-40 ~ 150°C)
- Max. Operating Pressure: 650 psi (4.5MPa)
- Max. Test Pressure: 940 psi (6.5MPa)
- Refrigerant Leakage Per Year: ≤ 2g

Item	Nom. Size (in)	OD (in)	Length (in)	Cv (gal/min)
LBSBVA-6	3/8	3/8	5-7/16	6.6
LBSBVA-8	1/2	1/2	6-1/4	12.3
LBSBVA-10	5/8	5/8	6-1/4	16.3
LBSBVA-12	3/4	3/4	7-9/32	23.6
LBSBVA-14	7/8	7/8	7-9/32	32.6
LBSBVA-18	1-1/8	1-1/8	8-3/16	60.1
LBSBVA-22	1-3/8	1-3/8	10	92.5
LBSBVA-26	1-5/8	1-5/8	11	139.9
LBSBVA-34	2-1/8	2-1/8	12	231.2
LBSBVA-42	2-5/8	2-5/8	12	231.2
LBSBVA-50	3-1/8	3-1/8	12	231.2