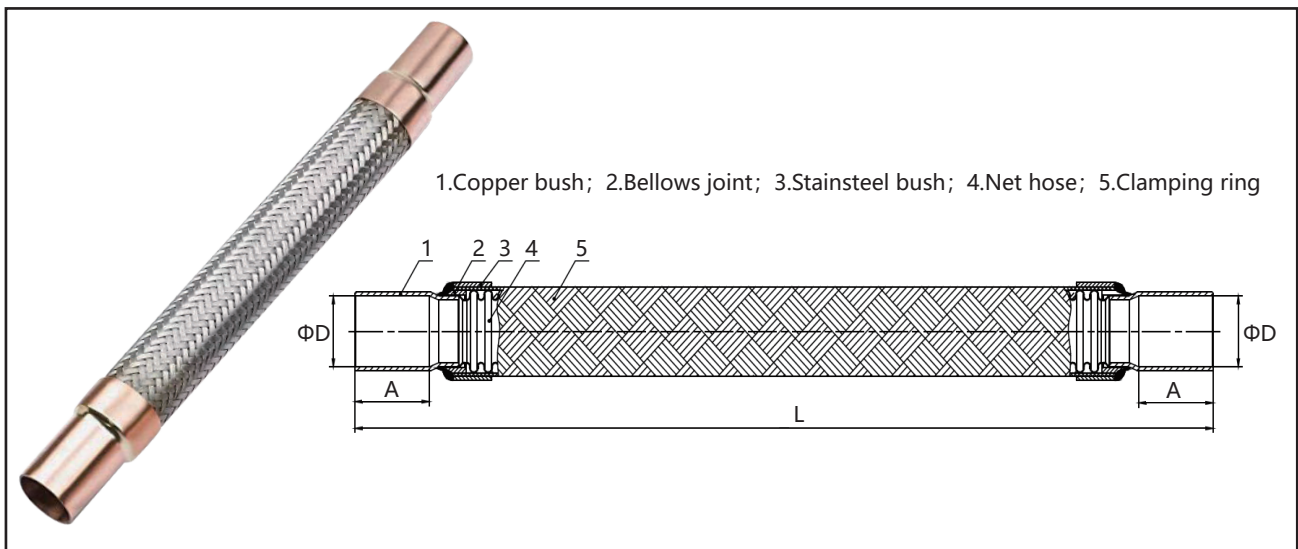


Copper Vibration Absorber ODF X ODF

Models: LBCVA



General Description

- Construction: Welded assembly of corrugated metal hose, metal connector, braided metallic wire sleeve, metal clamping ring and red copper tube.
- Excellent elasticity and vibration damping ability, perfect component to dampen the transmission of compressor-induced vibration through system piping.
- Compatible with all HCFC and HFC refrigerants, it can be used on suction piping and exhaust piping of a compressor in the refrigeration and air conditioning system.
- Operation temperature: $-40^{\circ}\text{F} \sim 302^{\circ}\text{F}$
- Maximum operation pressure: 650 psi
- Connection type: ODF sweat connection
- Installation: the vibration absorber should always be installed perpendicular to the major axis of vibration.

Copper Vibration Absorber ODF X ODF

Item	Nom, Size (inch)	A(inch)	L(inch)	D(inch)	Max. Working pressure (psi)	Min. Bending Radius	
						Static (inch)	Dynamic (inch)
LBCVA-6	3/8	5/8	8-17/64	3/8	650	3-9/64	7
LBCVA-8	1/2	45/64	9-1/64	1/2	650	3-3/4	8-15/32
LBCVA-10	5/8	25/32	9-27/32	5/8	650	4-3/4	10-5/8
LBCVA-12	3/4	55/64	10-15/64	3/4	650	4-45/64	12-3/4
LBCVA-14	7/8	1-3/32	11-13/16	7/8	650	6-19/64	14-11/64
LBCVA-16	1	1-17/64	13	1	650	6-57/64	15-3/4
LBCVA-18	1-1/8	1-17/64	13	1-1/8	650	6-57/64	15-3/4
LBCVA-20	1-1/4	1-3/8	15-3/4	1-1/4	600	8-55/64	20
LBCVA-22	1-3/8	1-3/8	15-3/4	1-3/8	600	8-55/64	20
LBCVA-26	1-5/8	1-29/64	15-3/4	1-5/8	435	11	25-13/64
LBCVA-34	2-1/8	2-33/64	20-15/32	2-1/8	360	13-3/4	31-1/2
LBCVA-42	2-5/8	2-61/64	24	2-5/8	290	15-3/8	33-1/4
LBCVA-50	3-1/8	3-9/64	26-3/4	3-1/8	290	15-57/64	39-3/8