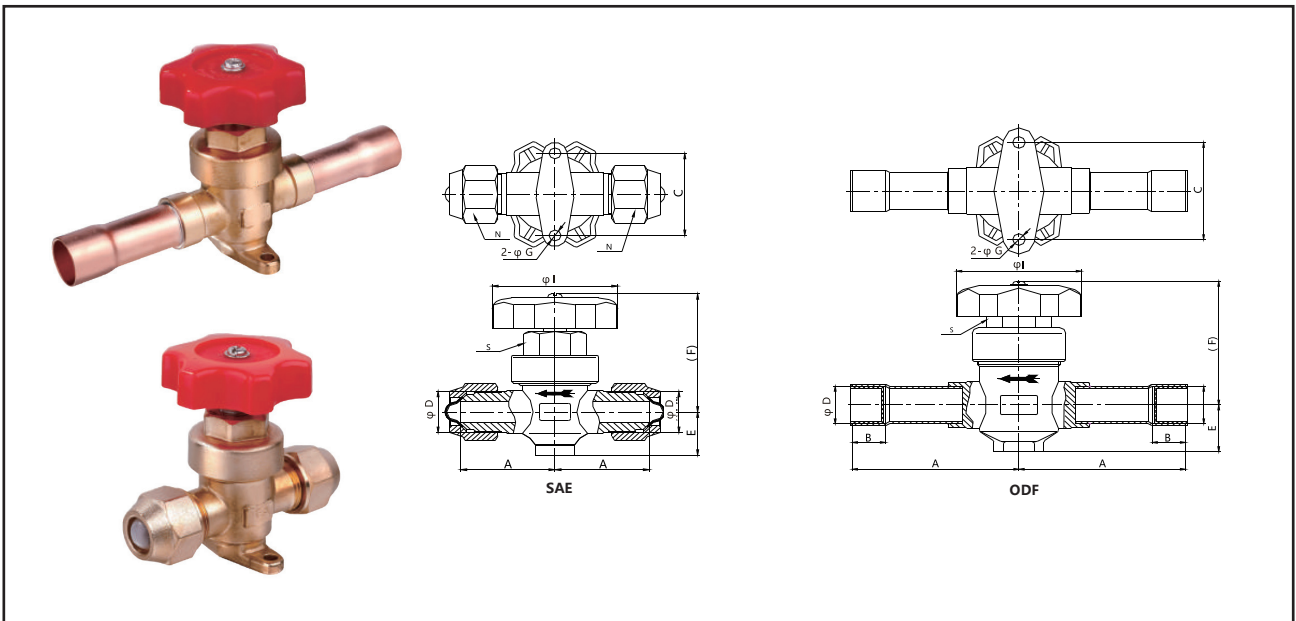


Diaphragm Packless Valve

Models: LBDPV



General Description

- A manually operated diaphragm stop valve for one-way flow control.
- Can be used on liquid, air suction and hot air piping in refrigeration, cold storage and air conditioner.
- Built-in mounting lugs for easy installation on the instrument panel.
- Two pieces of stainless steel diaphragm to prevent the hand valve from leakage during the service.
- Elastic sealing is used on the valve port so the hand valve could be shut off by small torque.
- A special valve bonnet to prevent the hand valve from water or dust penetration.
- The hand valve can be fully open or half open by turning the valve stem to a certain angle.

Diaphragm Packless Valve

Technical Data

- Applicable Refrigerant: HCFC and HFC
- Applicable Medium Temperature: -13~210 °F (-25 ~ 100°C)
- Max. Operating Pressure: 435 psi (3 MPa)
- Max. Testing Pressure: 650 psi (4.5 MPa)

Item	Nom.Size (in)	Connection	Size (in)										Thread
			A	B	C	ØD	E	(F)	ØG	ØI	S	N	
LBDPV-4	1/4	SAE	1-3/64		1-27/64		35/64	2-3/32	11/64	2-3/32	23/32	43/64	7/16"-20
LBDPV-4S	1/4	ODF	2	9/32		1/4							
LBDPV-6	3/8	SAE	1-7/32		1-1/2		3/4	2-1/4	13/64	2-3/32	7/8	7/8	5/8"-18
LBDPV-6S	3/8	ODF	2-21/64	5/16		3/8							
LBDPV-8	1/2	SAE	1-17/32		1-1/2		3/4	2-1/4	13/64	2-3/32	7/8	15/16	3/4"-16
LBDPV-8S	1/2	ODF	2-19/32	25/64		1/2							
LBDPV-10	5/8	SAE	1-17/32		1-1/2		3/4	2-1/4	13/64	2-3/32	7/8	1-1/16	7/8"-14
LBDPV-10S	5/8	ODF	2-29/32	35/64		5/8							
LBDPV-12	3/4	SAE	1-31/32		1-31/32		15/16	2-33/64	15/64	2-3/8	1-1/6	1-17/64	1-1/16"-14
LBDPV-12S	3/4	ODF	3-5/32	5/8									
LBDPV-14S	7/8	ODF	3-5/32	43/64						2-51/64			