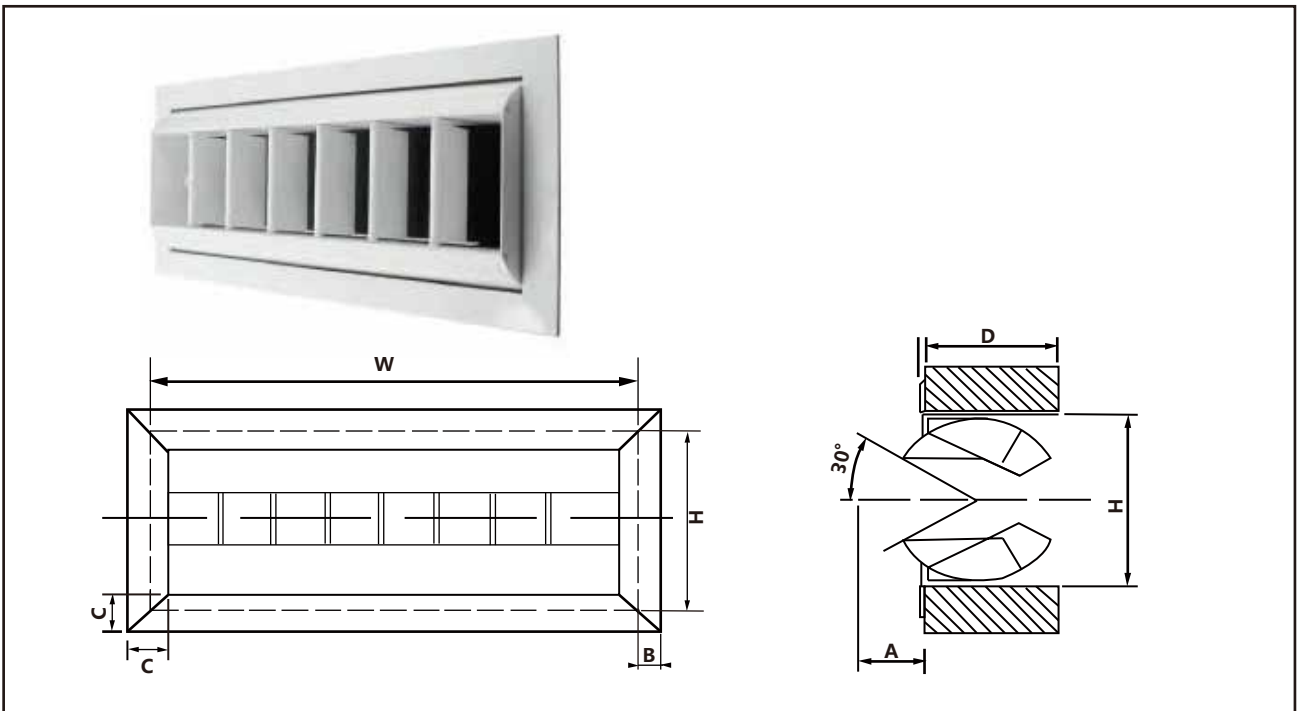


Drum Jet Diffuser

Models: LBDJD



General Description

- Designed to meet the requirements of low pressure drop, quiet operations, long distance throw and good air spread in large areas
- Air flow direction can be oriented up and down by rotating the cylindrical inner casing in a 60° angle
- Air flow direction can be oriented left and right by adjusting the blades on the inner casing
- Aluminum sheet constructed
- Can be wall mounted using screws or collected into a rectangular or circular duct
- Standard finish: White powder coating
- Optional finish: Powder coating with customize color

Drum Jet Diffuser

Models: LBDJD

Standard size (in)	Air volume (cfm)	Throw(ft)
12x6	200~470	19~52
15x6	250~650	19~55
18x6	300~750	19~55
24x6	350~1100	19~65
30x6	450~1350	19~68
36x6	500~1650	19~75
24x10	1000~2050	59~108
30x10	1150~2650	59~114
36x10	1300~2950	59~124
42x10	1450~3500	59~132
48x10	1750~4100	59~141
54x10	1850~4400	59~141
60x10	2000~5000	59~141