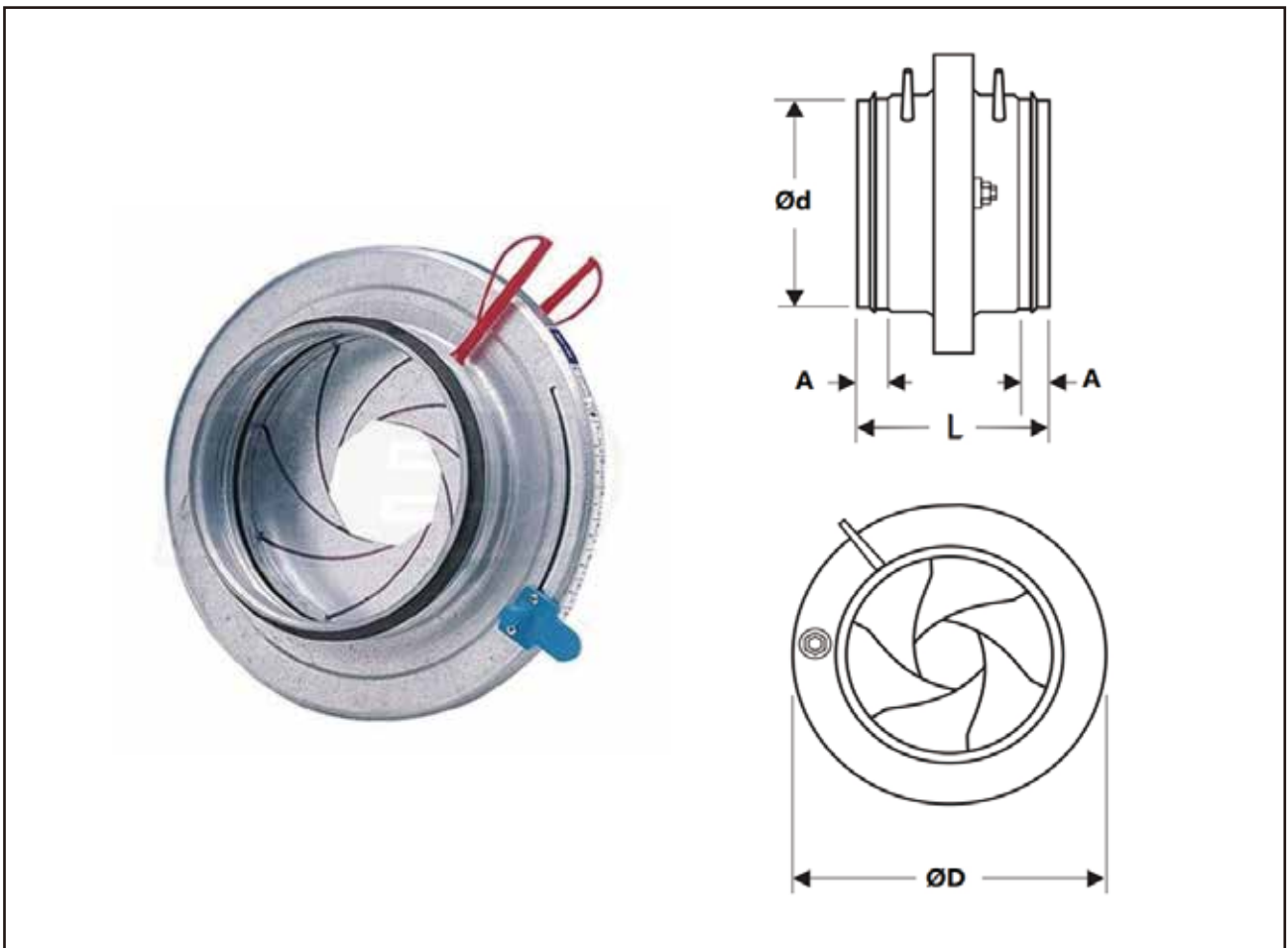


Iris Damper

Models: LBIDP-



General Description

- Ideal air flow regulator and measuring devices for circular ducts.
- This diaphragm valve ensures a perfect accordance between the diameter indication on the handle and the opening of the valve.
- Provide a 100% free area when fully open.
- Made of GL steel sheet with EPDM seal rings.

Iris Damper

Size (in)	d(in)	D(in)	L(in)	A(in)	Material Thickness (Gauge)
3-1/8	3-1/8	5	4-1/2	1-19/64	25
4	3-7/8	6-1/2	4-1/2	1-1/16	25
5	4-7/8	7-3/8	4-1/2	1-1/16	25
6	5-7/8	9	4-1/2	1-1/16	25
6-1/4	6-15/64	9	4-1/2	1-1/16	25
8	7-3/4	11-1/4	4-3/4	1-1/16	25
10	9-3/4	13-1/4	5-5/16	1-19/64	25
12	11-3/4	16	4-1/2	1-19/64	25
12-3/8	12-11/32	16	4-1/2	1-19/64	25
16	15-5/8	21	6	1-13/16	20
20	19-5/8	25-3/4	6	1-13/16	20
25	24-3/4	32	6-1/8	1-13/16	20
32	32-3/8	40	11-1/4	4-11/32	20