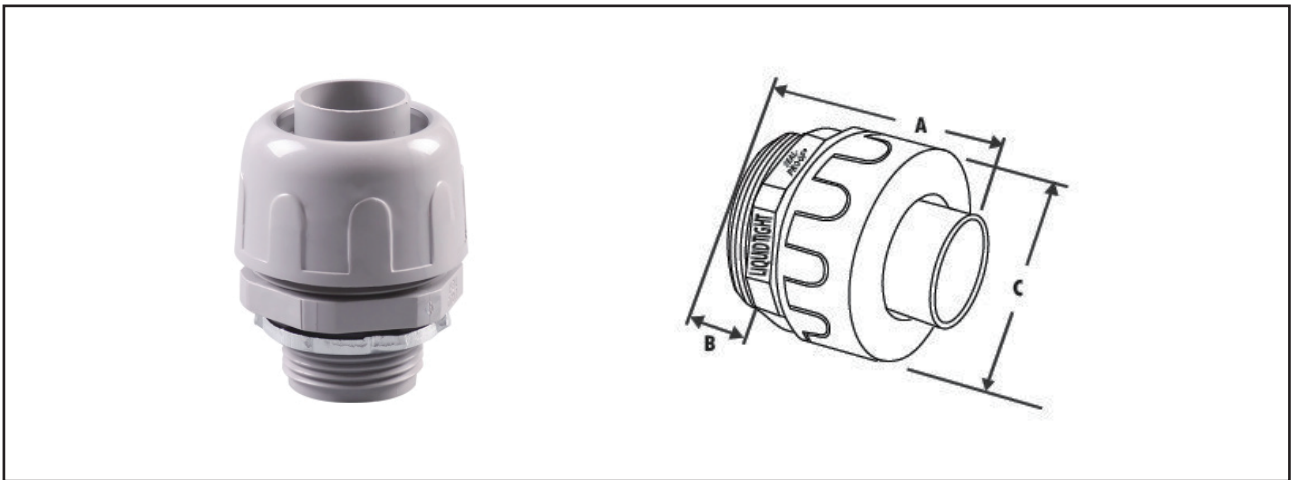


Liquid Tight Connector for Nonmetallic Conduit

Models: LBNLTC



General Description

- UL Listed.
- "O" Ring and steel locknut included.
- Standard NPT Threads.
- Suitable for indoor/outdoor use, will not crack or degrade when exposed to sunlight, will not corrode or oxidize.
- Nonmetallic connectors are intended to be used with liquid tight nonmetallic conduit, they should not be used with steel conduit.

Part	Trade Size	A (in)	B (in)	C (in)
LBNLTC-3	3/8"	2	35/64	1-13/32
LBNLTC-4	1/2"	2	35/64	1-13/32
LBNLTC-6	3/4"	2-13/64	41/64	1-45/64
LBNLTC-8	1"	2-9/32	47/64	2
LBNLTC-10	1-1/4"	2-7/16	49/64	2-13/32
LBNLTC-12	1-1/2"	2-45/64	13/16	2-43/64
LBNLTC-16	2"	2-63/64	27/32	3-9/32