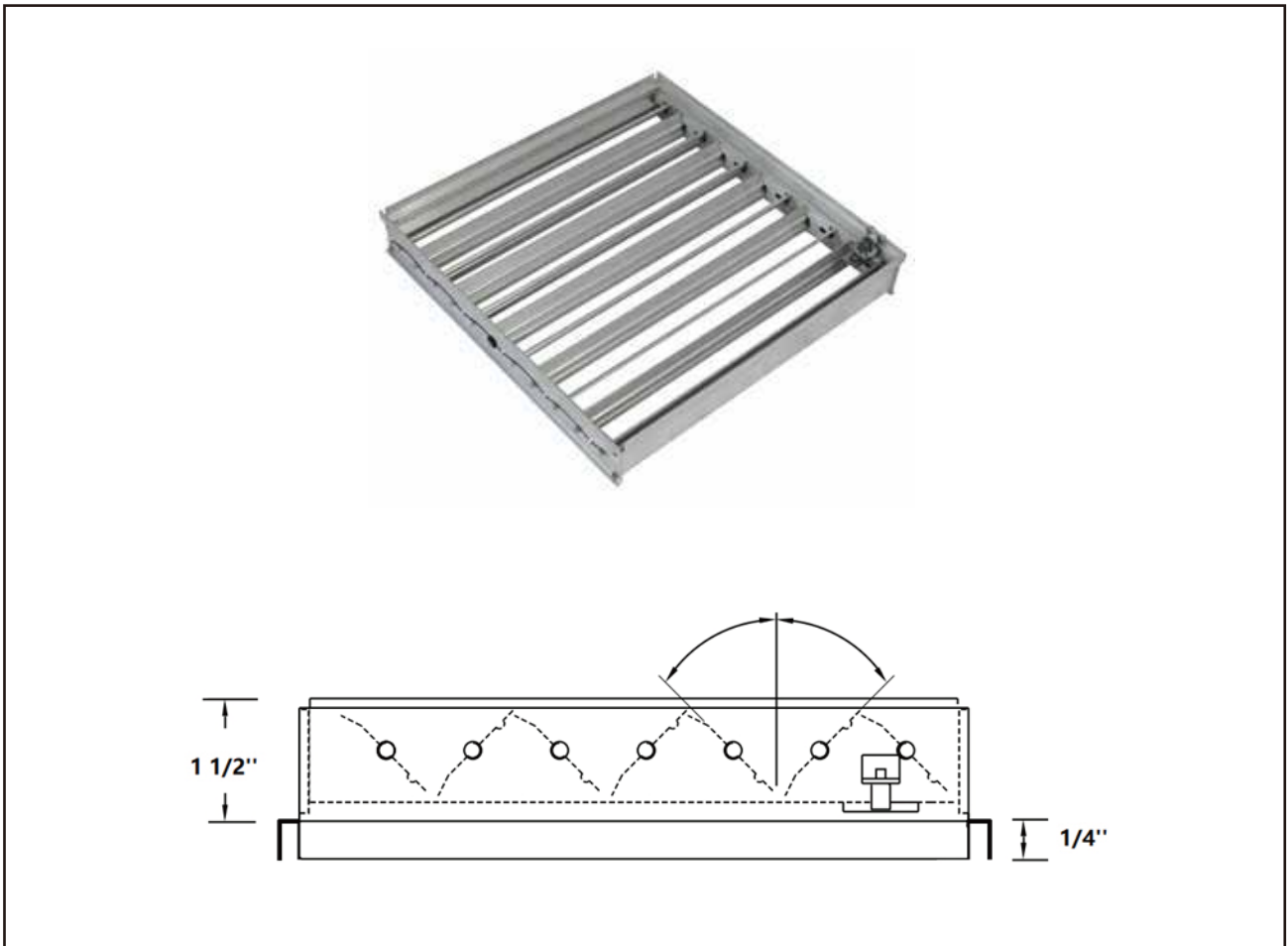


Opposed Blades Damper

Models: LBOBD-B



General Description

- Made of high quality extruded aluminum profile.
- Damper for square grille.
- Mechanical slot operated and adjusted by screw driver.
- An optional accessory for LBG Products square grilles.
- Size is made to fit square grilles, available in one piece construction up to 24" x 18", size larger than 24" x 18" but smaller than 48" x 48" are made in multiple sections and shipped in one piece or as customer required.