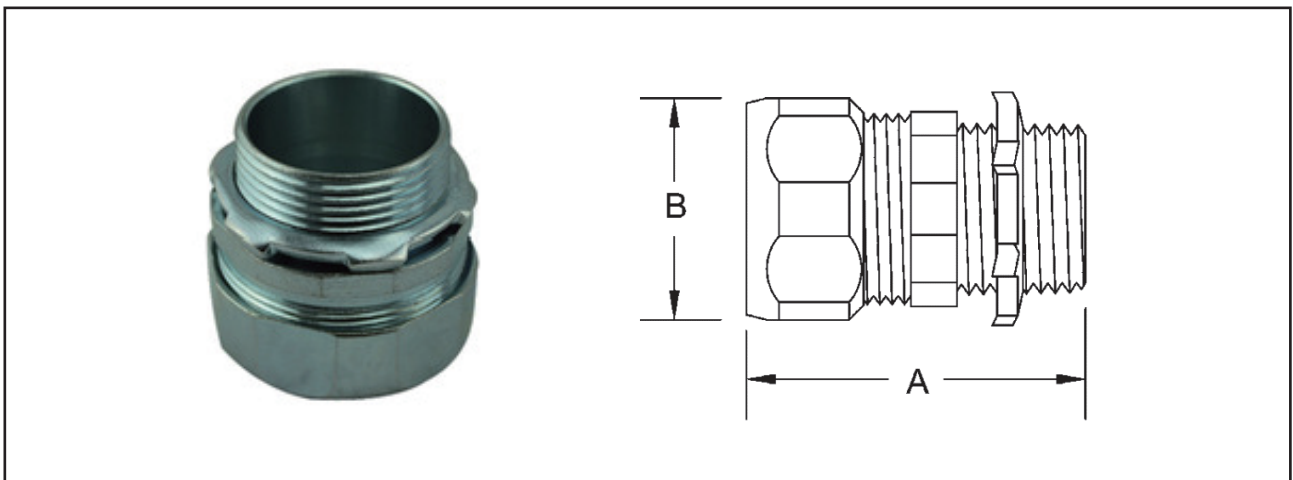


## Rigid Compression Connector

**Models: LBRC**



### General Description

- UL Listed.
- Standard material: Steel
- Standard finish: Zinc plated
- NPSM thread.
- Steel locknut included.
- Application: To bond Rigid or IMC conduit to junction box and electrical enclosure.

Part	Trade size	A (in)	B (in)
LBRC-4	1/2"	1-11/32	1-11/64
LBRC-6	3/4"	1-31/64	1-7/16
LBRC-8	1"	1-37/64	1-3/4
LBRC-10	1-1/4"	1-55/64	2-5/32
LBRC-12	1-1/2"	1-15/16	2-3/8
LBRC-16	2"	2-7/32	2-7/8