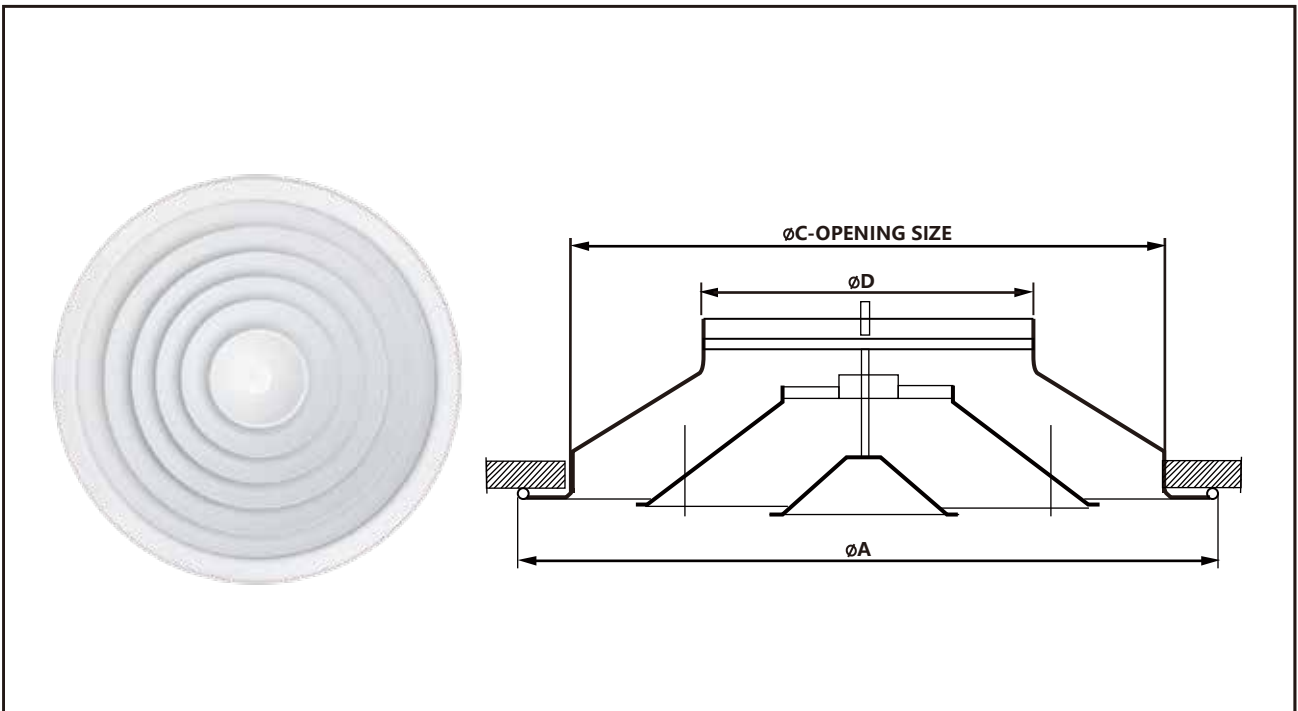


Round Ceiling Diffuser For Medium Ceiling

Models: LBRCDM



General Description

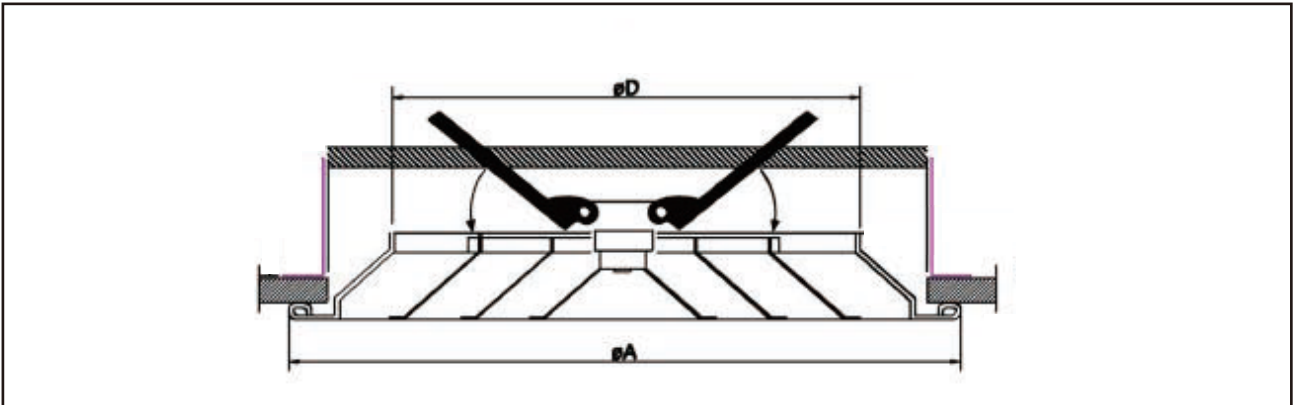
- The circular design guarantees an uniform radial discharge in supply air applications
- Can be used for supply and return application
- Suitable for using in rooms with heights up to 19.5ft (6m)

Round Ceiling Diffuser For Medium Ceiling

Models: LBRCDM

Optional Accessory:

Optional damper: butterfly damper in plastic or steel



Standard finish: White powder coating

Optional finish: Powder coating with customize color

Size (in)	ØD(in)	ØA(in)	Air Volume(cfm)	Max.Throw (ft)
6	5-3/4	11-13/16	85	3
8	7-5/8	15-1/2	150	5
10	9-5/8	17-1/2	230	6
12	11-5/8	19-1/2	330	7.5
14	13-5/8	21-1/2	440	9