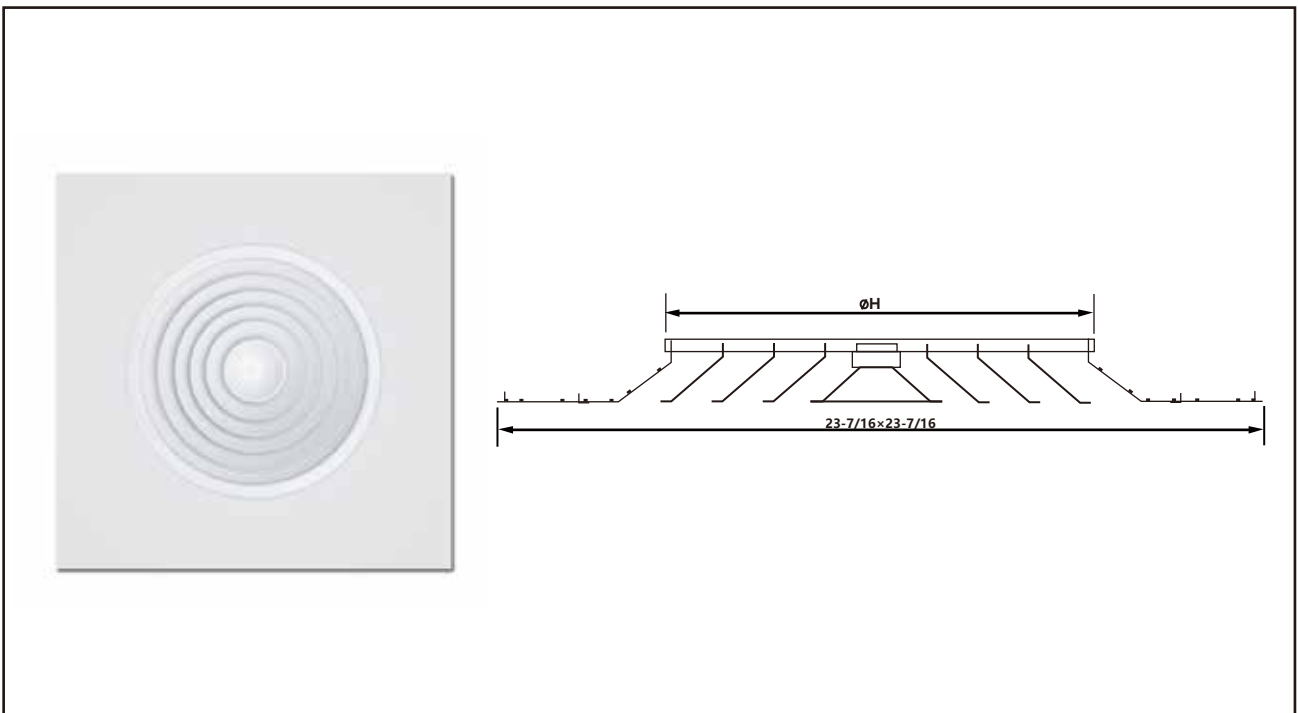


## Round Ceiling Diffuser Replacement

Models: LBRCDR



### General Description

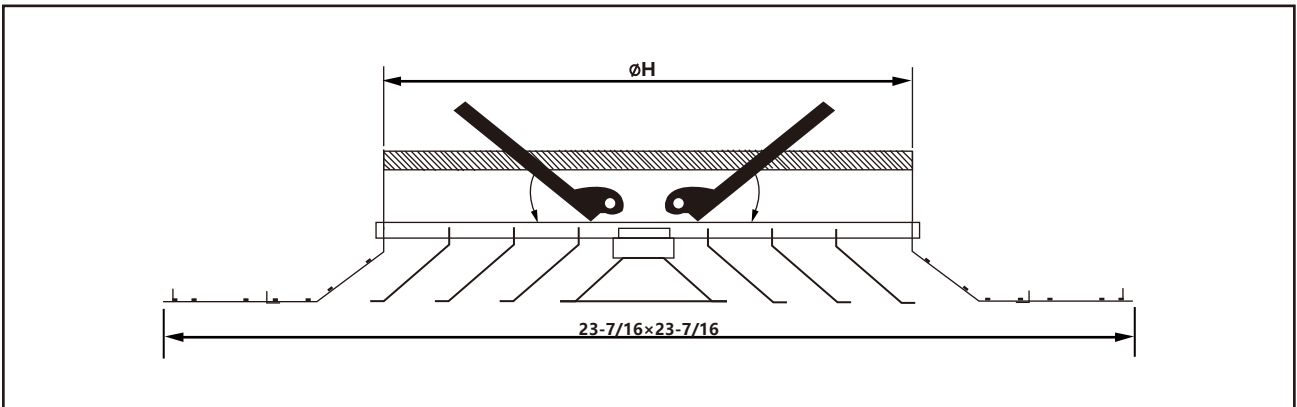
- The circular design guarantees an uniform radial discharge in supply air applications
- Can be used for supply and return application
- Suitable for using in rooms with heights up to 13ft (4m)

## Round Ceiling Diffuser Replacement

### Models: LBRCDR

#### Optional Accessory:

Optional damper: butterfly damper in plastic or steel



**Standard finish:** White powder coating

**Optional finish:** Powder coating with customize color

Size (in)	$\varnothing D$ (in)	A x A(in)	Air Volume(cfm)	Max.Throw (ft)
6	5-3/4	23-7/16 x 23-7/16	80	2.5
8	7-5/8	23-7/16 x 23-7/16	140	4
10	9-5/8	23-7/16 x 23-7/16	210	5
12	11-5/8	23-7/16 x 23-7/16	290	6
14	13-5/8	23-7/16 x 23-7/16	390	7
16	15-1/2	23-7/16 x 23-7/16	470	8
18	17-1/2	23-7/16 x 23-7/16	610	9
20	19-1/2	23-7/16 x 23-7/16	710	9.5