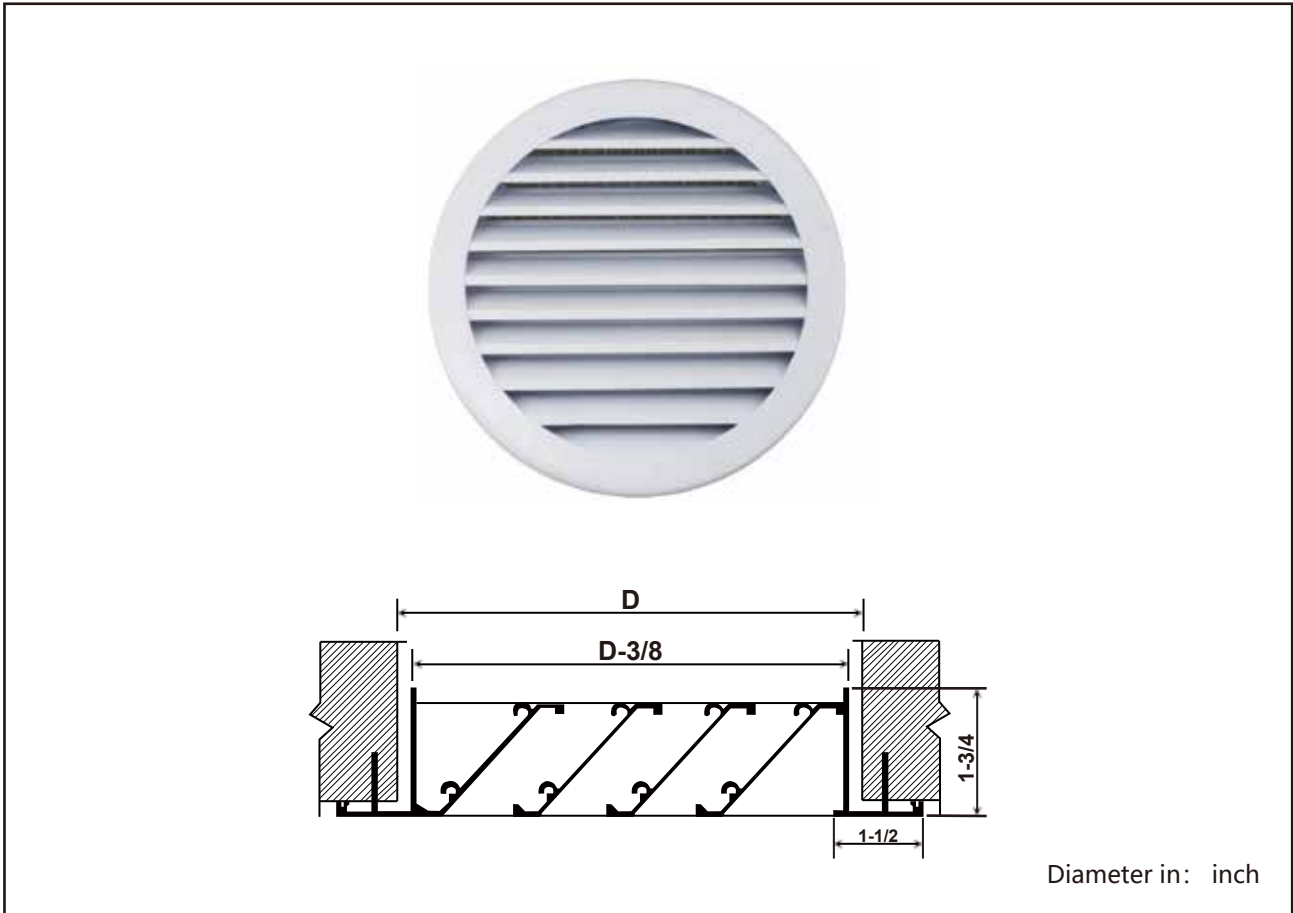


Round Weather Louver

Models: LBWLR



General Description

- Weather louver is used as fresh air intake louver, usually mounted on the outside wall.
- 45° fixed blades rainproof design.

Round Weather Louver

Optional Accessories:

- Plenum Box
- Opposed Blade Damper

Standard Finish: White Powder Coating.

Optional Finish: Powder Coating with customized color, or anodized.

Standard Size (in)	Air Volume (cfm)
6	23
8	48
10	77
12	110
14	155
18	205

V=3.28ft/s