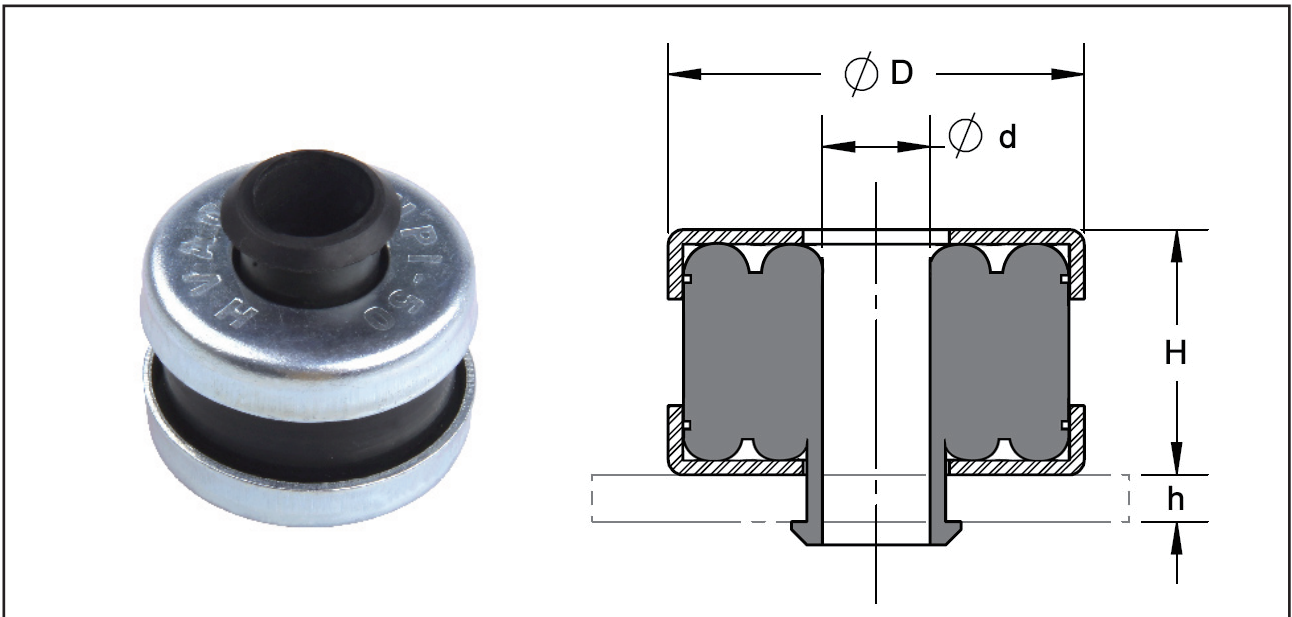


## Rubber Ceiling Hanger

Models: HPI-50



### General Description

- LBG rubber ceiling hanger contains a elastomer(neoprene) and two protective metal plates(zinc plated steel).
- Elastomer has a collar to prevent metal to metal contact.
- HPI-50 fits 3/8" rod.
- HPI-50 has a maximum loading capacity of 110lbs(50kg) each piece.

Model	Maximum Load(lbs)	H (in)	h (in)	D (in)	d (in)	Color
HPI-50	110	13/16	1/4	1 1/4	7/16	Black