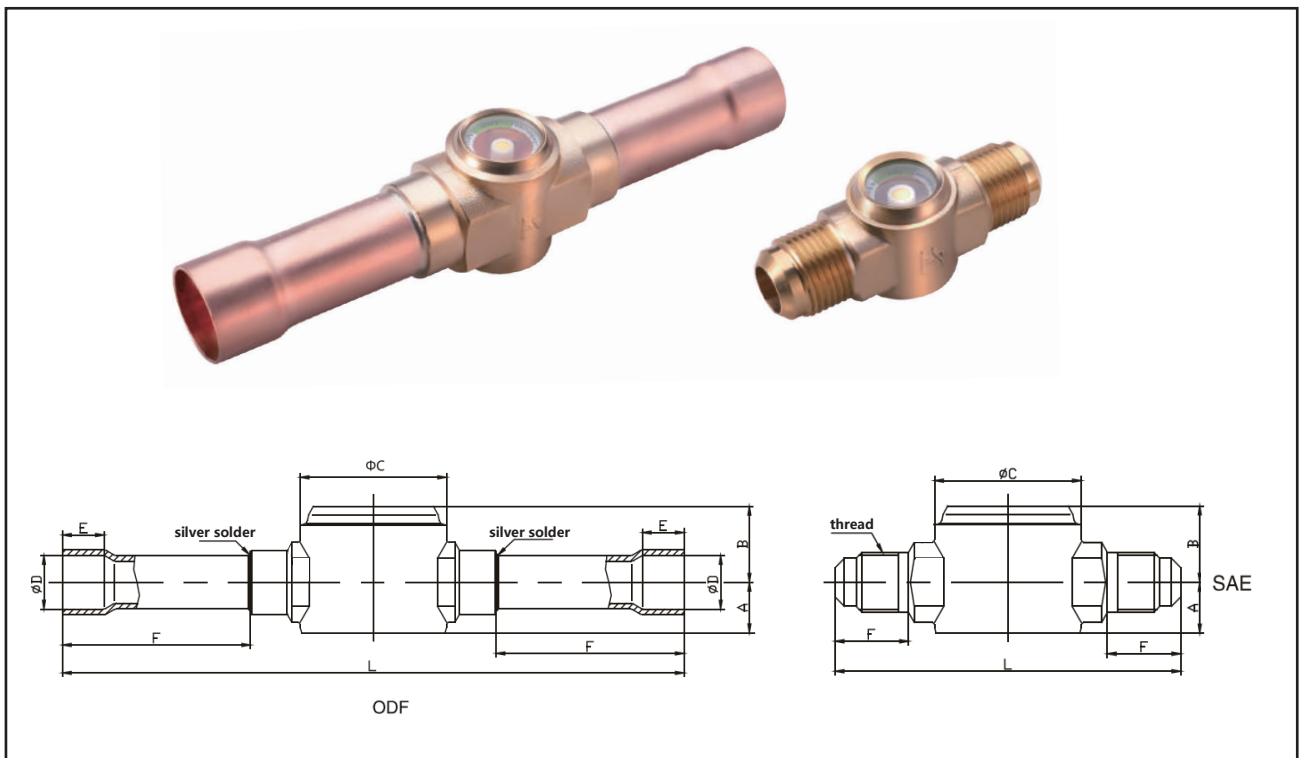


## Sight Glass

### Models: LBSG



## General Description

- To be used on the liquid piping of the refrigeration and air conditioning unit to indicate the flow condition of the refrigerant, water cut of the refrigerant and lubricant oil flow condition of the oil return piping on the oil separator.
- Equipped with one moisture indicator, which will change color to indicate the water cut in the refrigerant.
- Sight glass is to be used on the liquid piping of the refrigerant and air conditioning unit to indicate the flow condition of the refrigerant, water cut of the refrigerant and lubricant oil flow condition of the oil return piping on the oil separator.
- Explosion-proof viewing glass structure for safety.
- Be applicable to HCFC/HFC refrigerants.
- Indicate insufficient charging of refrigerant.

## Sight Glass

### Technical Data

- Applicable Refrigerant: HCFC and HFC
- Applicable Medium Temperature: -40°F ~ 175°F (-40 °C ~ 80 °C)
- Max. Operating Pressure: 650 psi (4.5 MPa)
- Refrigerant Leakage Per Year: ≤2g
- Note: For fully enclosed compressor, water cut should be within a range of 30~75 ppm, and for other types of compressor, the water cut will be slightly higher. For an effective protection, it is necessary to monitor the indicator carefully and replace the drier immediately if the color turned yellow.

Item	Nom. Size (in)	Connection	Size (in)								Thread	Weight (lbs)
			A	B	ØC	ØD	E	F	L	S		
LBSG-4S	1/4	ODF	3/8	37/64	1-3/32	1/4	9/32	1-1/16	4-5/32	35/64		0.23
LBSG-4	1/4	SAE	3/8	37/64	1-3/32			35/64	2-33/64	35/64	7/16"-20	0.32
LBSG-6S	3/8	ODF	1/2	21/32	1-3/32	3/8	5/16	1-27/64	4-11/16	35/64		0.24
LBSG-6	3/8	SAE	1/2	21/32	1-3/32			43/64	2-3/4	3/4	5/8"-18	0.47
LBSG-8S	1/2	ODF	33/64	45/64	1-3/32	1/2	25/64	1-13/16	5-3/4	3/4		0.37
LBSG-8	1/2	SAE	33/64	45/64	1-3/32			3/4	2-3/4	7/8	3/4"-16	0.53
LBSG-10S	5/8	ODF	19/32	25/32	1-15/64	5/8	35/64	1-13/16	6	7/8		0.42
LBSG-10	5/8	SAE	19/32	25/32	1-15/64			25/32	3-1/16	15/16	7/8"-14	0.77
LBSG-12S	3/4	ODF	45/64	29/32	1-15/64	3/4	5/8	2	6-9/16	15/16		0.59
LBSG-12	3/4	SAE	45/64	29/32	1-15/64			29/32	3-35/64	1-9/64	1-1/16"-14	1.2
LBSG-14S	7/8	ODF	21/32	27/32	1-15/64	7/8	43/64	2-1/8	6-13/16	1-1/16		0.69