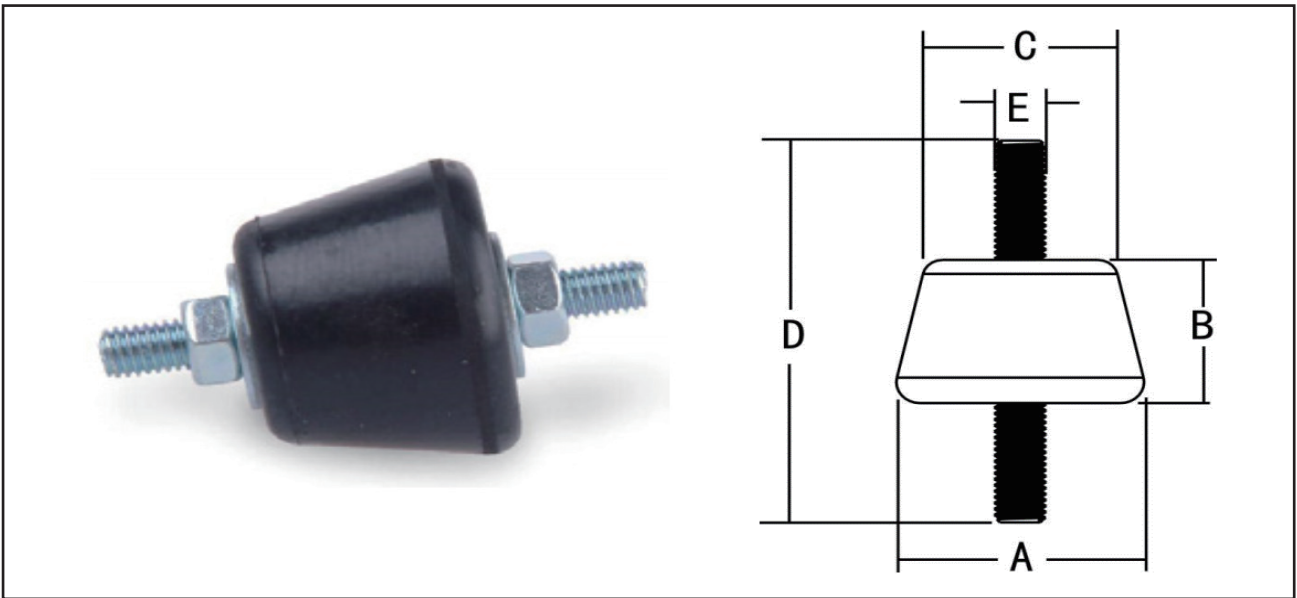


## Vibration Isolator with Stud and Nut LBRS-B



### General Description

- Rubber vibration isolator and shock absorber, two metal studs terminated and bonded within the rubber on both sides, perform better isolation than go through the rubber.
- Metal stud with zinc plated treatment, resistant to all weater elements, suitable for indoor and outdoor application.
- Rubber with larger elasticity, mainly used for air conditioning, water pumps, welding machine, and other machinery that generates vibration.

| Parts   | Dimensions (in) |      |      |      |      | Loading Capacity | N.W (lb) | Thread |
|---------|-----------------|------|------|------|------|------------------|----------|--------|
|         | A               | B    | C    | D    | E    |                  |          |        |
| LBRS-B1 | 1.45            | 0.95 | 1.10 | 2.44 | 0.31 | 33               | 0.15     | M8     |
| LBRS-B2 | 1.69            | 1.22 | 1.30 | 2.79 | 0.31 | 44               | 0.18     | M8     |