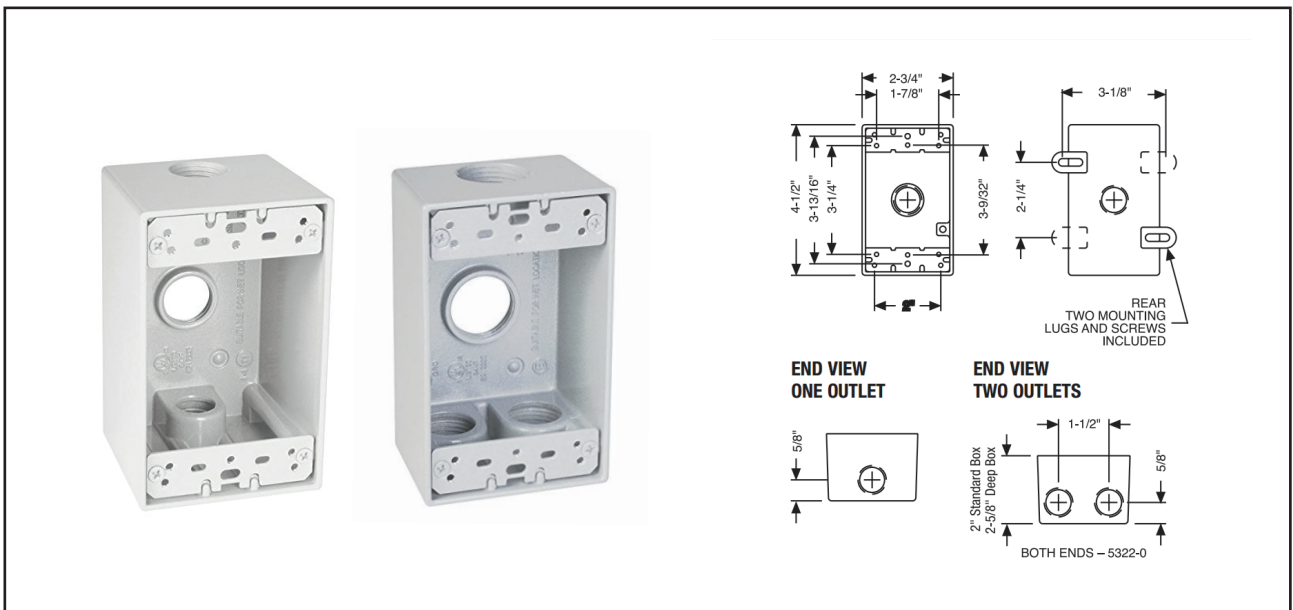


Weatherproof Electrical Outlet Box One Gang

Models: LBWB1

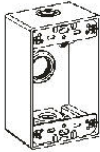



General Description

- UL Listed for wet locations.
- Die cast aluminum with powder coat finish.
- Reinforced connector outlets.
- Two lugs provided with 8 mounting options.
- Two closure plugs included.
- Ground screw installed.
- For circuit wiring in wet, damp, or dry locations.
- Can be used as a housing for switch, receptacle, and GFCI, or as a weatherproof junction box.

Weatherproof Electrical Outlet Box One Gang

Models: LBWB1

	Part	Hub Size	Box Deep	Outlets	
Three Outlets 	LBWB1-4	1/2"	2"	Top	1
	LBWB1-6	3/4"	2"	Bottom	1
	LBWB1D-4	1/2"	2-5/8"	Back	1
	LBWB1D-6	3/4"	2-5/8"	Total	3
Four Outlets 	LBWB1-4	1/2"	2"	Top	2
	LBWB1-6	3/4"	2"	Bottom	1
	LBWB1D-4	1/2"	2-5/8"	Back	1
	LBWB1D-6	3/4"	2-5/8"	Total	4
Five Outlets 	LBWB1-4	1/2"	2"	Top	2
	LBWB1-6	3/4"	2"	Bottom	2
	LBWB1D-4	1/2"	2-5/8"	Back	1
	LBWB1D-6	3/4"	2-5/8"	Total	5