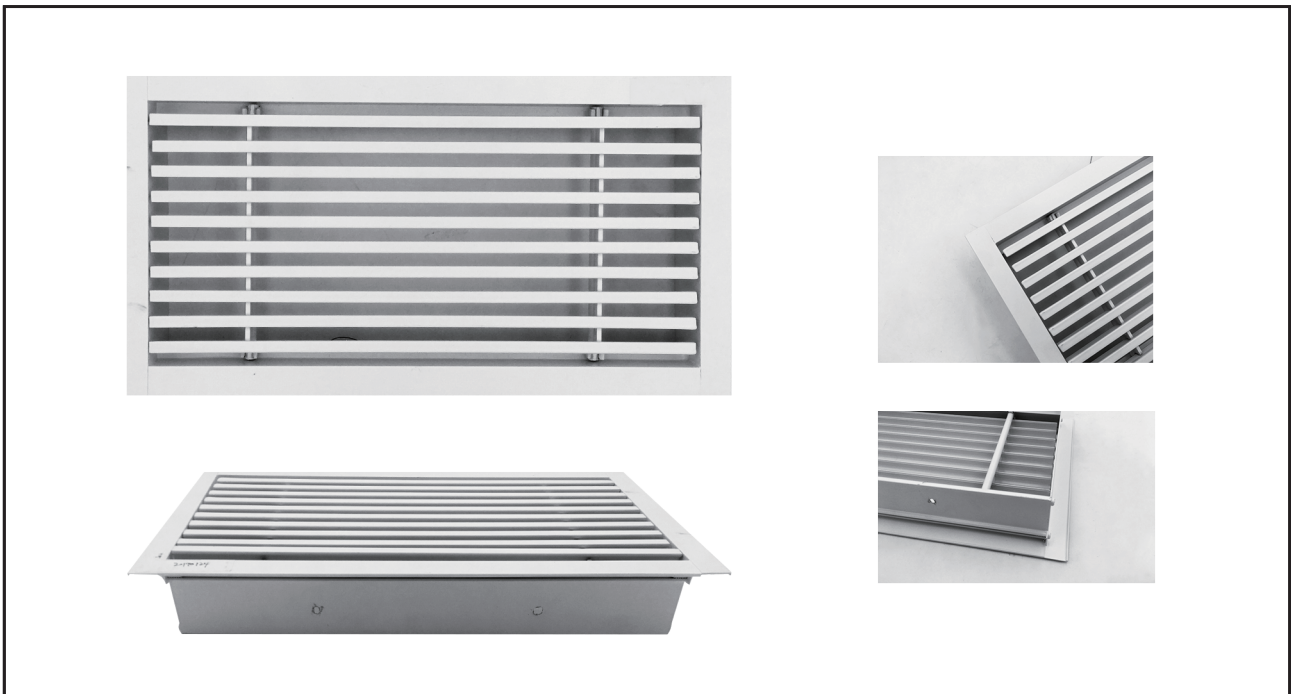


Linear Bar Grille Aluminum • Fixed Bars

Models: LBG840 • 1/2" Spacing • 1/4" Bars • 0° Deflection

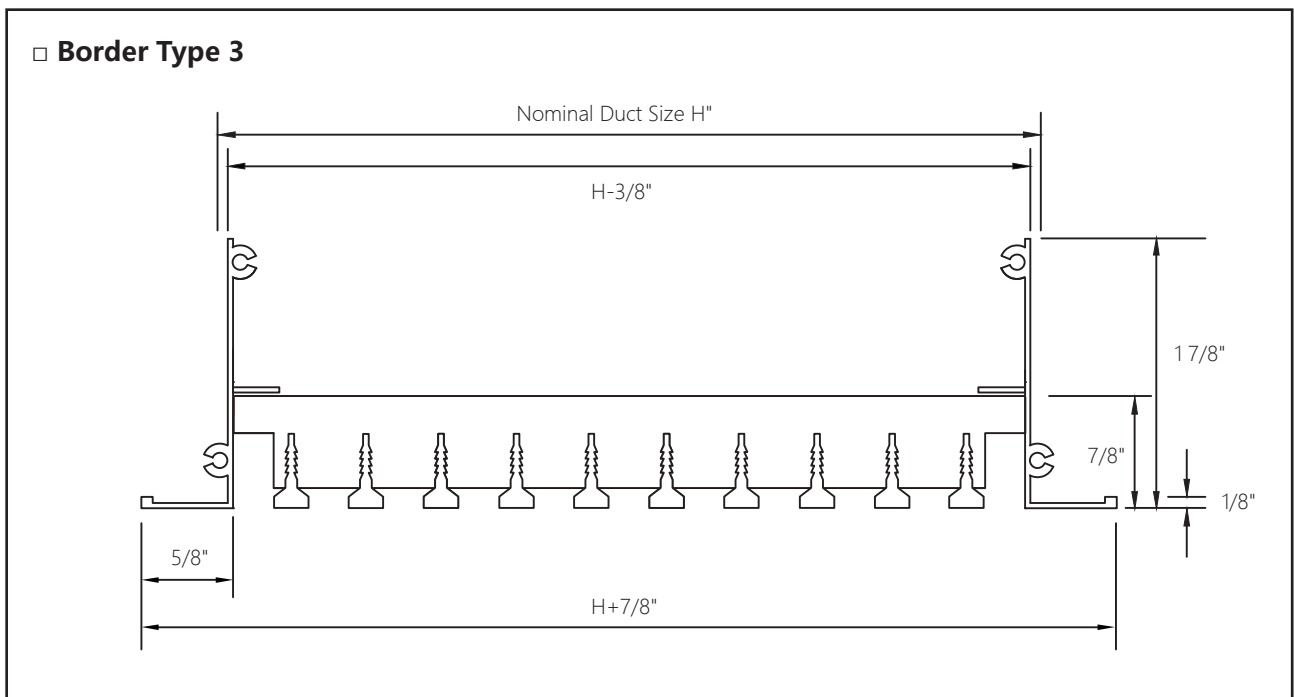


General Description

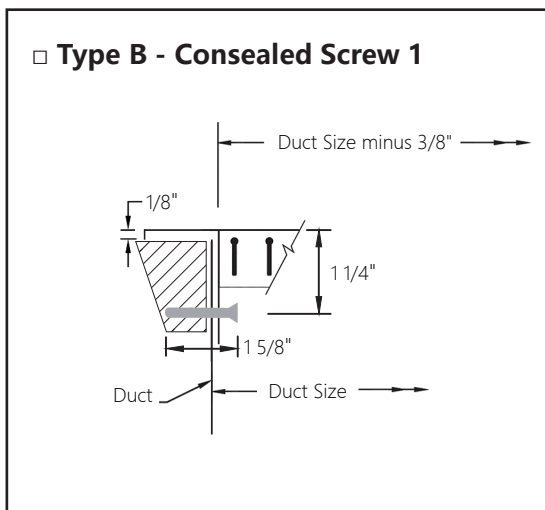
- LBG Products linear bar grilles are designed for both supply and return applications.
 - Lengths greater than 10 feet (120 inch) are furnished in multiple sections.
 - Sections can be joined end-to-end for continuous appearance.
 - All deflection bars are fixed and parallel to the long dimension.
 - #8 x 1 5/8" lg. Phillip's flat head sheet metal screws.
 - Material is aluminum
 - All dimensions are $\pm 1/16"$
 - Detachable core.
-

Linear Bar Grille Aluminum • Fixed Bars

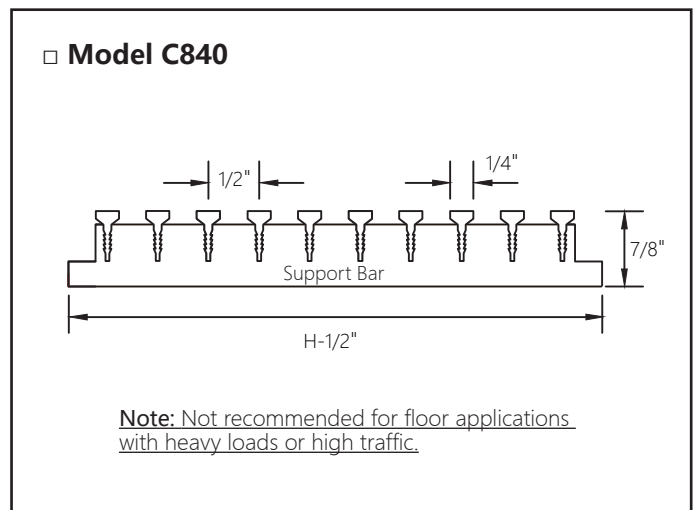
Models: LBG840 • 1/2" Spacing • 1/4" Bars • 0° Deflection



Fastenings



Core



Linear Bar Grille Aluminum • Fixed Bars

Models: LBG840 • 1/2" Spacing • 1/4" Bars • 0° Deflection

Available Sizes (H" x L")

Border Type 3: the most common sizes are shown below. Border Type 3 is available in sizes 6"X8" through 12"X120" in 2" increments in one piece construction. Odd size may not compatible with standard core, please consult with the manufacturer before placing an order.

Available size (Inches)	Height(H)			
Length(L)	6	8	10	12
6				
8	√			
10	√	√		
12	√	√	√	
14	√	√	√	
16	√	√	√	√
18	√	√	√	√
20	√	√	√	√
22	√	√	√	√
24	√	√	√	√
26	√	√	√	√
28	√	√	√	√
32	√	√	√	√
34	√	√	√	√
36	√	√	√	√
40	√	√	√	√
42	√	√	√	√
54	√	√	√	√
60	√	√	√	√
More sizes upon request				