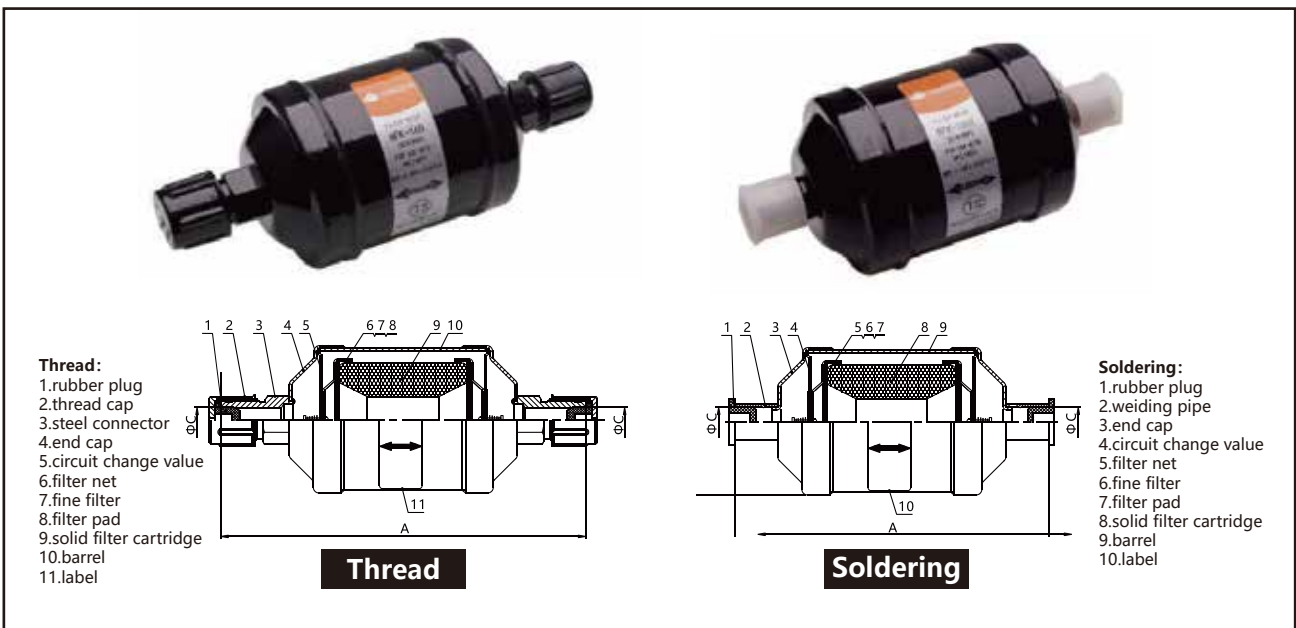


Liquid Line Bi-directional Drier Filter

Models: LBBFK



General Description

- To be used on liquid piping of refrigeration and air conditioning unit to absorb water and filter solid debris from system.
- The drier filter is composed of 80% 3A molecular sieve and 20% active aluminum with 100un filter cartridge, provide an efficient filtration under minimum pressure drop
- Drier filter is available in threaded connection or welded connection.
- Bi-directional flow drier filter.

Technical Data

- Applicable Refrigerant: HCFC and HFC
- Applicable Medium Temperature: -40 ~ 250°F (-40 ~ 120°C)
- Max. Operating Pressure: 600 psi (4.2MPa)
- Max. Test Pressure: 900 psi (6.3MPa)

Liquid Line Bi-directional Drier Filter

Item	Nom.Size (in)	Connection	A(in)	ØC (in)	Desiccant volume (cube inch)	Weight (lbs)	Thread
LBBFK-083	3/8	SAE	6-7/32	5/16	8	1.28	5/8"-18
LBBFK-084	1/2		6-1/2	25/64	8	1.37	3/4"-16
LBBFK-085	5/8		6-59/64	33/64	8	1.45	7/8"-14
LBBFK-163	3/8		6-47/64	5/16	16	1.76	5/8"-18
LBBFK-164	1/2		7	25/64	16	1.85	3/4"-16
LBBFK-165	5/8		7-7/16	33/64	16	1.97	7/8"-14
LBBFK-303	3/8		9-41/64	5/16	30	2.87	5/8"-18
LBBFK-304	1/2		9-59/64	25/64	30	2.94	3/4"-16
LBBFK-305	5/8		10-23/64	33/64	30	2.85	7/8"-14
LBBFK-306	3/4		10-7/16	5/8	30	2.98	1-1/16"-14
LBBFK-083S	3/8		ODF	5-35/64	3/8	8	1.19
LBBFK-084S	1/2	5-45/64		1/2	8	1.23	
LBBFK-085S	5/8	5-55/64		5/8	8	1.26	
LBBFK-163S	3/8	6-1/16		3/8	16	1.67	
LBBFK-164S	1/2	6-7/32		1/2	16	1.7	
LBBFK-165S	5/8	6-27/64		5/8	16	1.72	
LBBFK-303S	3/8	8-31/32		3/8	30	2.64	
LBBFK-304S	1/2	9-1/8		1/2	30	2.68	
LBBFK-305S	5/8	9-21/64		5/8	30	2.7	
LBBFK-306S	3/4	9-1/2		3/4	30	2.72	
LBBFK-307S	7/8	9-23/32		7/8	30	2.74	
LBBFK-309S	1-1/8	10-1/32	1-1/8	30	2.82		